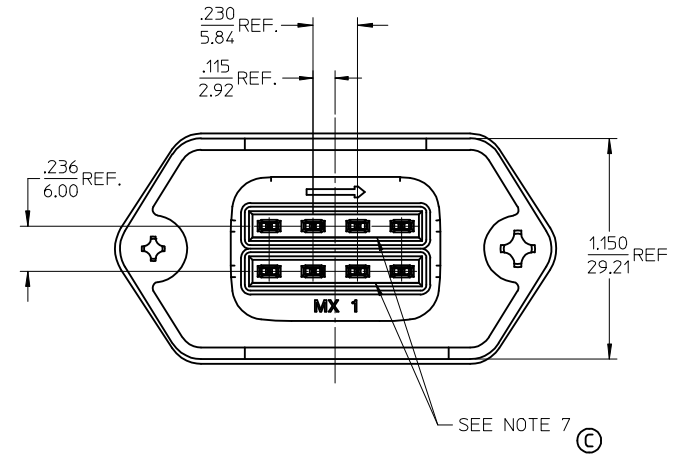
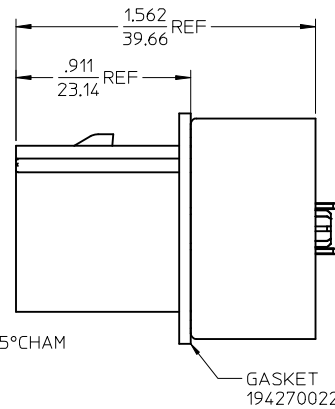
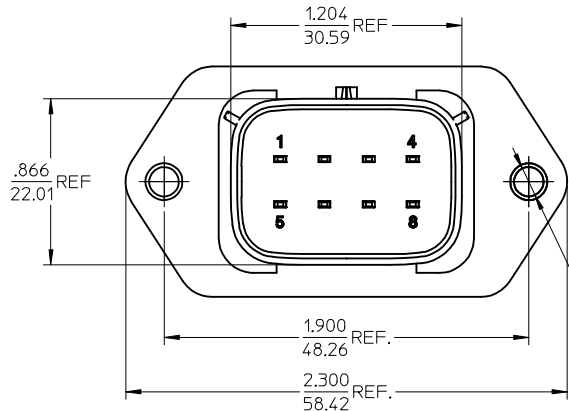
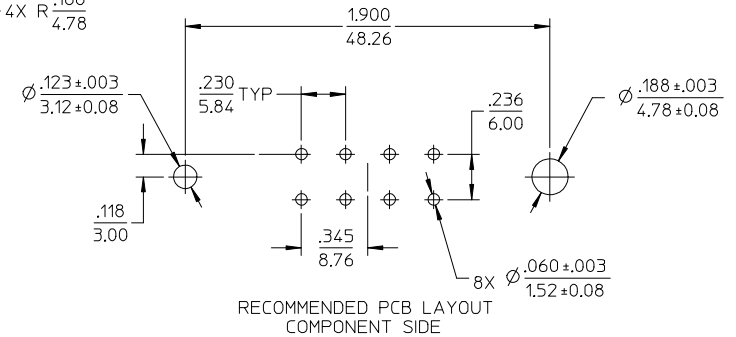
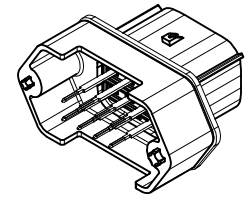
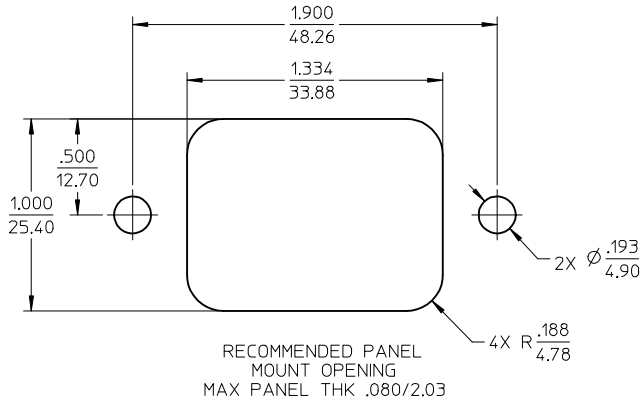
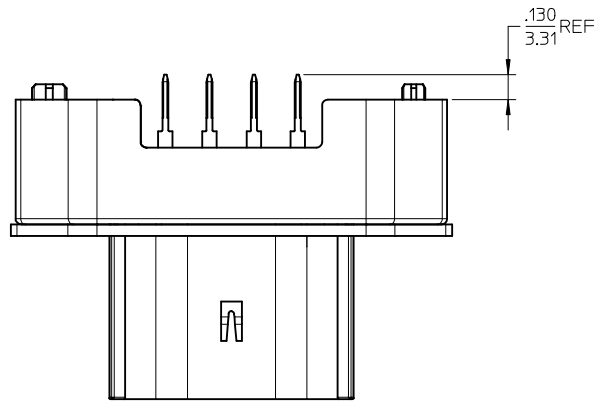


ASSEMBLY MATERIAL NUMBER	TERMINAL PLATING	POTTING
194280003	TIN	NO
194280021	TIN/GOLD	
194280046	TIN	YES
194280047	TIN/GOLD	

Ⓒ



NOTES:

- MATERIALS:  
HOUSING: POLYESTER (PBT), GLASS FILLED, UL94 V-0,  
COLOR: BLACK  
TERMINALS: COPPER ALLOY
- TERMINAL FINISHES:  
1. TIN ONLY: 100µN TIN OVER 50µN NICKEL  
2. TIN/GOLD: 30µN SELECT GOLD (CONTACT MATING AREA),  
100µN SELECT TIN (PCB TAIL AREA) OVER 50µN NICKEL OVERALL.
- PRODUCT SPECIFICATION: PS-19428-001.
- PACKAGING SPECIFICATION: PK-19427-001.
- MATES WITH: 19418 SERIES RECEPTACLE ASSEMBLIES.
- RECOMMENDED MOUNTING HARDWARE: (2) #10 X .62/15.8 LONG PLASTIC  
THREAD CUTTING SCREWS. RECOMMENDED TORQUE 15-17 IN.-LBS.  
SUGGESTED SOURCE: ITW SHAKEPROOF INDUSTRIAL BOSSCREW OR EQUIVALENT.
- ELASTOMERIC SILICONE APPLIED IN TERMINAL WELLS. SEE CHART. Ⓒ
- ASSEMBLY IS ROHS COMPLIANT.

REV	DESCRIPTION	DATE	DRW	CHKD	APPD	EC NO.
ADD	194280046 & 194280047	2012/12/07	DRW	CHKD	APPD	2012/12/07
		2013/01/10				2013/01/10

QUALITY SYMBOLS	GENERAL TOLERANCES (UNLESS SPECIFIED)
▽=0	
▽=0	
	ANGULAR ± 1°
	DRAFT WHERE APPLICABLE MUST REMAIN WITHIN DIMENSIONS

DIMENSION STYLE		SCALE		DESIGN UNITS		THIRD ANGLE PROJECTION	
IN/MM		2:1		INCH		THIRD ANGLE PROJECTION	
DRAWN BY	DATE	TITLE				THIRD ANGLE PROJECTION	
OMYRICK	04/07/02	8-WAY STRAIGHT HEADER ASSEMBLY, LONG VERSION				THIRD ANGLE PROJECTION	
CHECKED BY	DATE	MATERIAL NO.				DOCUMENT NO.	
JPAWLICK	04/07/02	SEE CHART				SD-19428-013	
APPROVED BY	DATE	SIZE				SHEET NO.	
RDEROSS	04/07/02	C				1 OF 1	
THIS DRAWING CONTAINS INFORMATION THAT IS PROPRIETARY TO MOLEX INCORPORATED AND SHOULD NOT BE USED WITHOUT WRITTEN PERMISSION							

DIMENSION STYLE		SCALE		DESIGN UNITS		THIRD ANGLE PROJECTION	
IN/MM		2:1		INCH		THIRD ANGLE PROJECTION	
DRAWN BY	DATE	TITLE				THIRD ANGLE PROJECTION	
OMYRICK	04/07/02	8-WAY STRAIGHT HEADER ASSEMBLY, LONG VERSION				THIRD ANGLE PROJECTION	
CHECKED BY	DATE	MATERIAL NO.				DOCUMENT NO.	
JPAWLICK	04/07/02	SEE CHART				SD-19428-013	
APPROVED BY	DATE	SIZE				SHEET NO.	
RDEROSS	04/07/02	C				1 OF 1	
THIS DRAWING CONTAINS INFORMATION THAT IS PROPRIETARY TO MOLEX INCORPORATED AND SHOULD NOT BE USED WITHOUT WRITTEN PERMISSION							