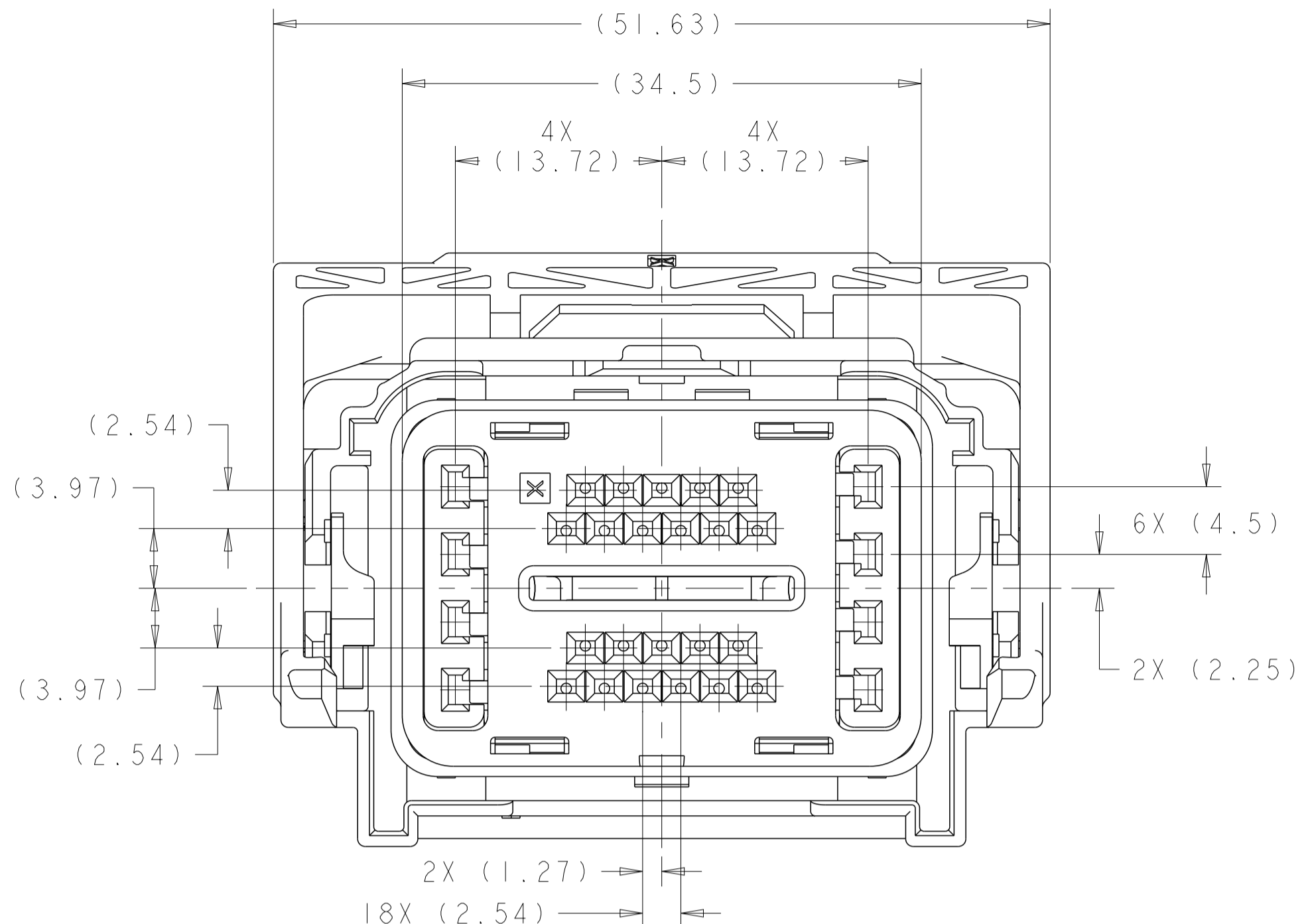
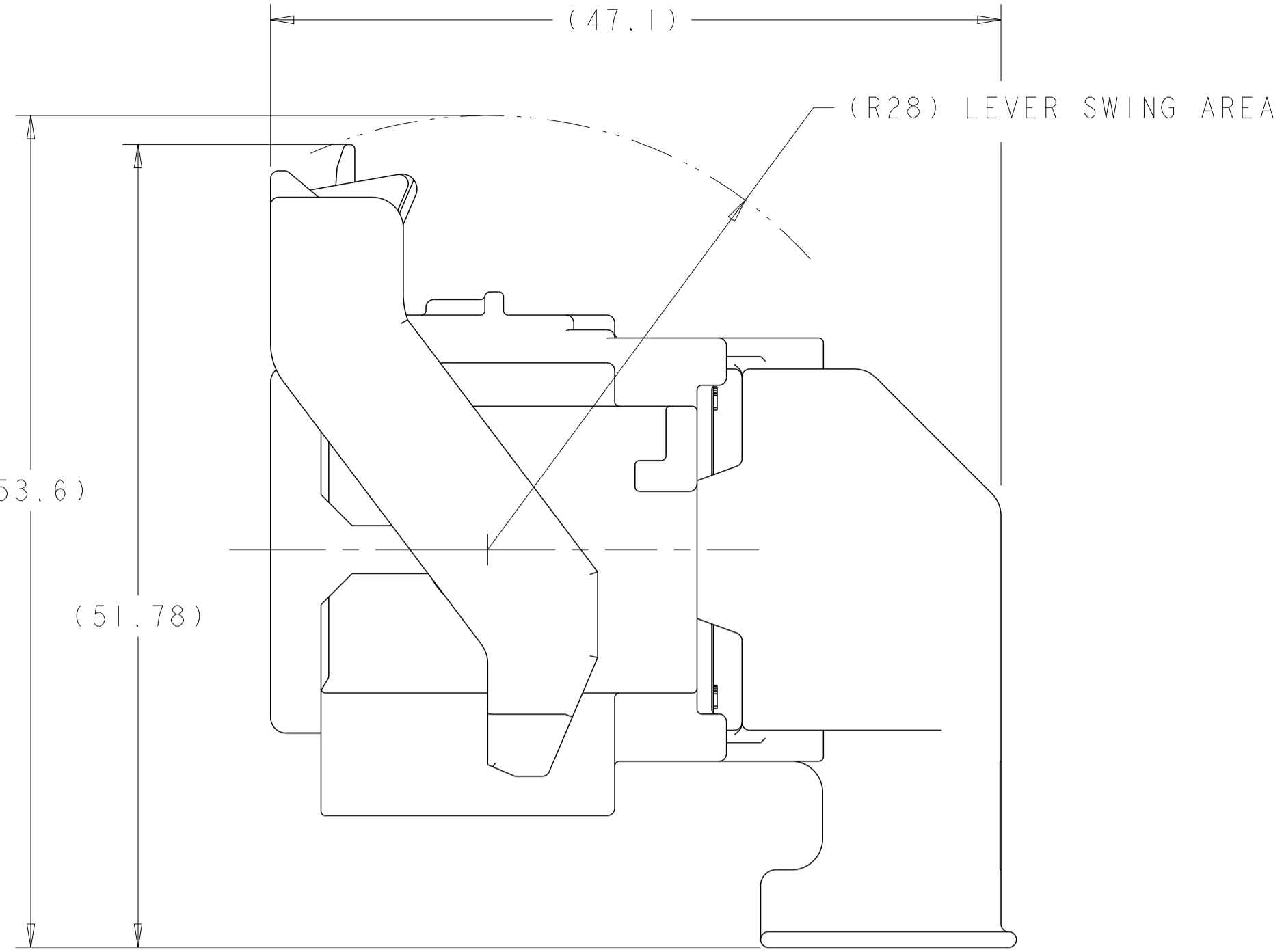


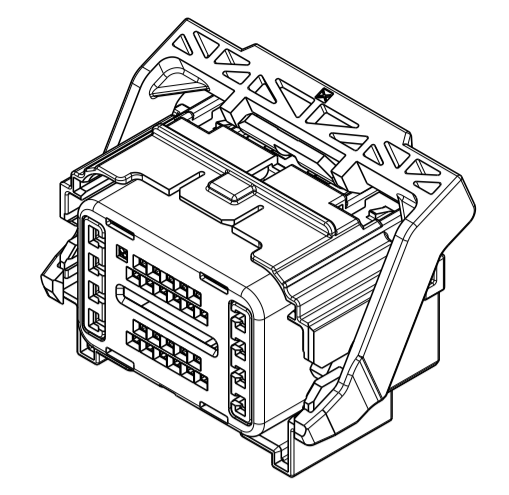
REVISIONS					
P	LTN	DESCRIPTION	DATE	DMN	APVD
H8		REVISED PER ECO-15-011500	07AUG2015	DLD	DCM
H9		REVISED PER ECO-18-005723	16APR2018	JMS	CM
H10		REVISED PER ECO-20-012415	10SEP2020	AP	CM
H11		REV PER ECN-22-186795	19DEC2022	SMR	DM



KEYING OPTION "A" 1438083-1

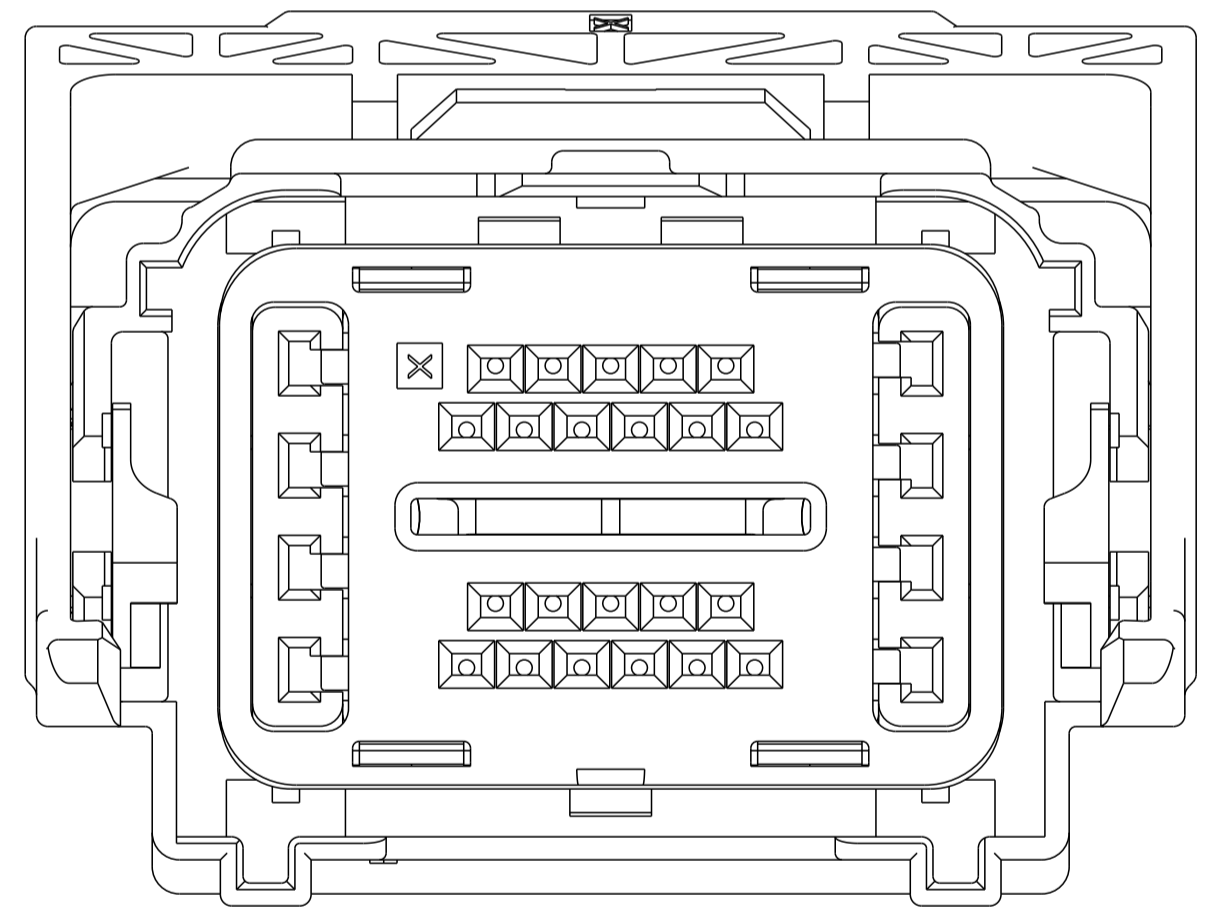


SHOWN WITH CAM LEVER AND SPACER IN LOADED POSITION WITH OPTIONAL WIRESHIELD



SCALE 1:1

- MATERIAL:
 HARNESS - 35% GLASS FILLED PA66, BLACK
 ALT MAT'L - 30% GLASS FILLED sPS, BLACK
- SPACER - 40% GLASS FILLED PPS, RED
 ALT MAT'L - 30% GLASS FILLED sPS, RED
- COVER - 35% GLASS FILLED PA66, BLACK
 ALT MAT'L - 30% GLASS FILLED LCP, BLACK
- CAM LEVER - 35% GLASS FILLED NYLON, GRAY
 GROMMET - SILICONE, BROWN
 PERIMETER SEAL - SILICONE, GREEN
- 2. CAM LEVER AND SPACER ARE SHIPPED IN PRE-LATCH POSITION.
- SEE PINOUT CHART FOR CLOSED CIRCUIT CONFIGURATIONS.
- CAVITIES WITH A NUMERIC SYMBOL INDICATES CLOSED TERMINAL LOCATIONS.
 BLANK CAVITIES INDICATE OPEN TERMINAL HOLE LOCATIONS.
- OBSOLETE PART



KEYING OPTION "B" 2272926-1

CHART FOR CLOSED CIRCUIT CONFIGURATIONS SHEET 2

THIS DRAWING IS A CONTROLLED DOCUMENT.		DMN: R. VESTAL 15OCT2003	TE Connectivity
DIMENSIONS: mm		CHK: D. STRAUSSER 15OCT2003	
TOLERANCES UNLESS OTHERWISE SPECIFIED:		APVD: D. STRAUSSER 15OCT2003	NAME: PCM HARNESS ASSEMBLY, 30-WAY CONNECTOR
0 PLC ±0.3		PRODUCT SPEC	
1 PLC ±0.10		APPLICATION SPEC	SIZE: A1
2 PLC ±0.10		WEIGHT	CAGE CODE: 100779
3 PLC ±0.10		CUSTOMER DRAWING	DRAWING NO: 1438083
4 PLC ±0.10		SCALE: 3:1	SHEET 1 OF 2
ANGLES ±1°		RESTRICTED TO:	REV: H11
FINISH			

