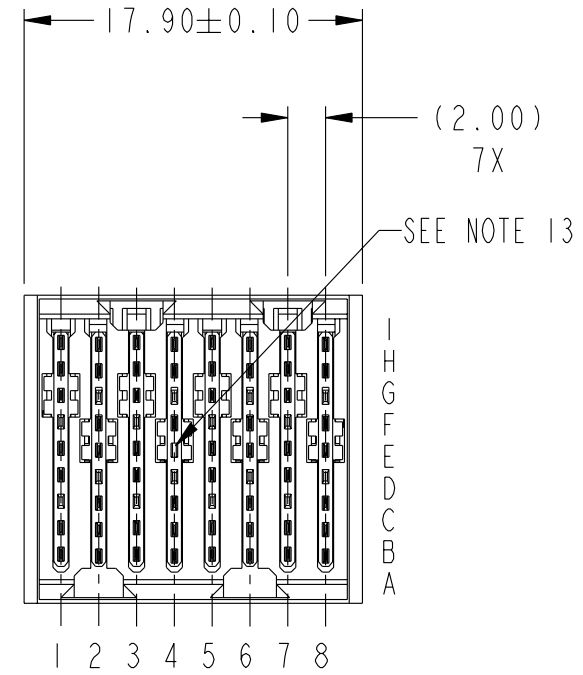
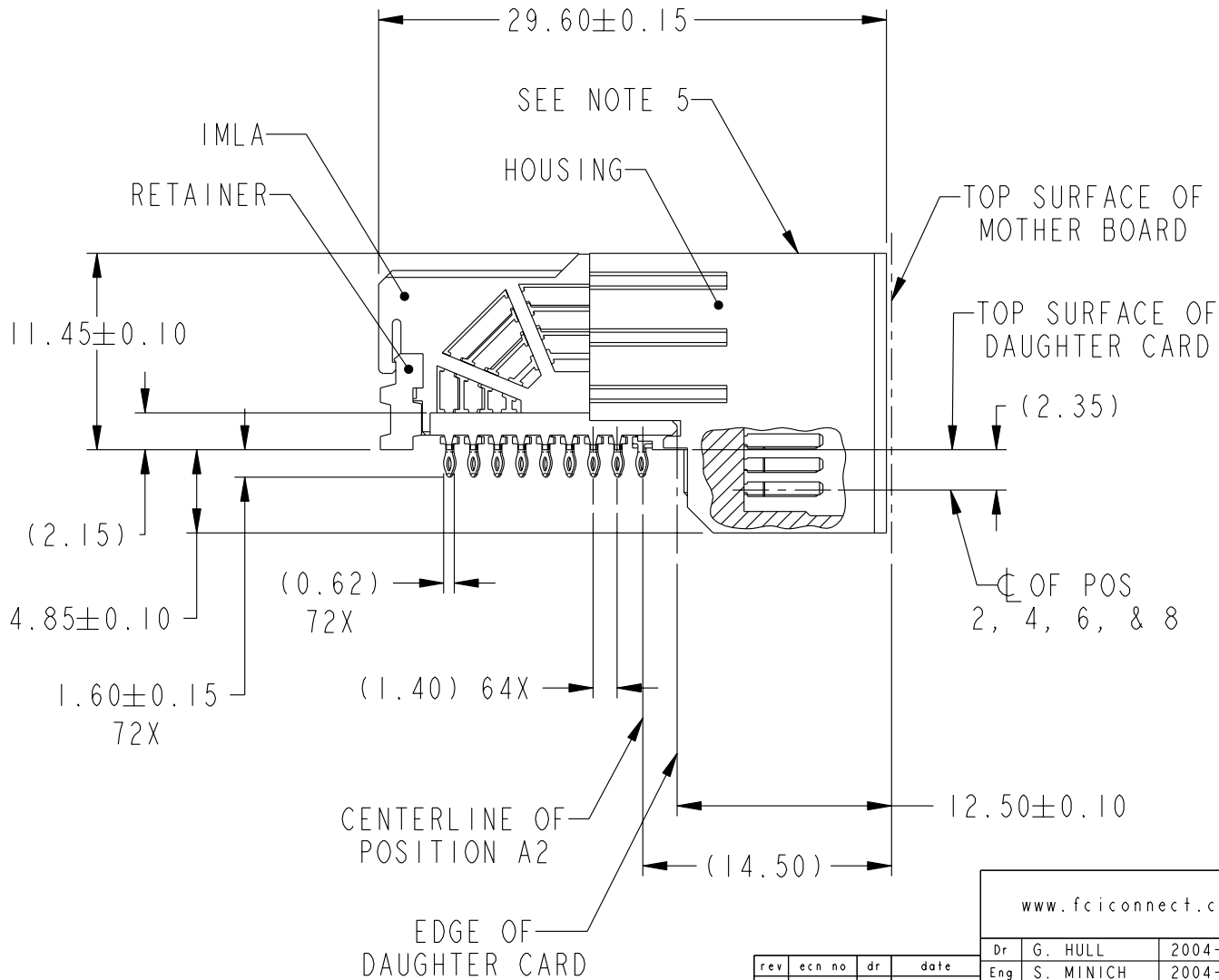


PRODUCT NUMBER  
SEE TABLE, SHEET 5



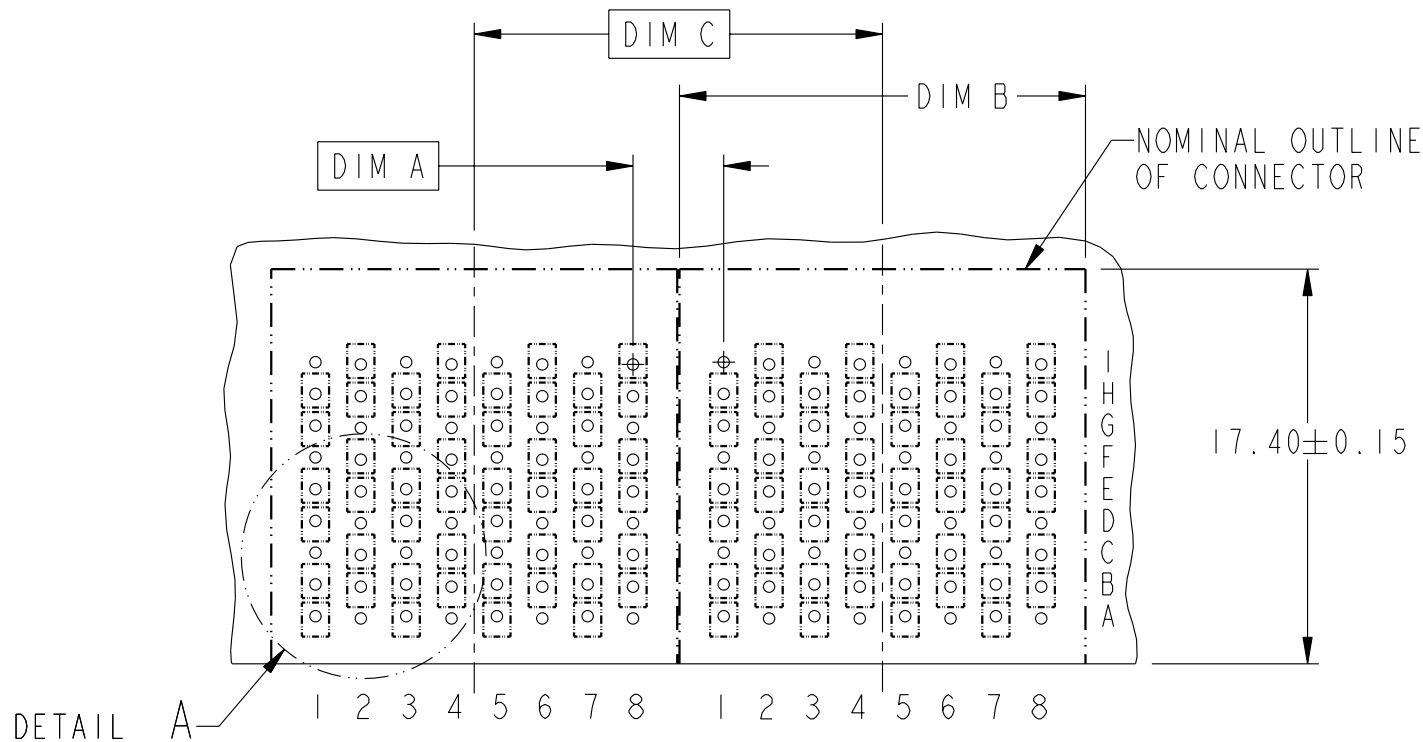
Copyright FCI.

rev	ecn no	dr	date
A	V05-0461	LRJ	2006-02-24
B	V06-0209	LRJ	2006-03-01
C	V06-0531	SCS	2006-06-07
D	S06-0374	DG	2006-12-21
-	-	-	-
-	-	-	-
-	-	-	-

www.fciconnect.com		surface 3.2 ASME Y14.5	tolerance std ASME Y14.5	projection ⊕	MM
TOLERANCES UNLESS OTHERWISE SPECIFIED		ANGULAR	LINEAR	size A4	Scale 5:2
Dr	G. HULL	2004-09-23	0.X	±	ECN ***
Eng	S. MINICH	2004-09-23	0.XX	±	
Chr	C. H. TAN	2006-12-21	0.XXX	±	
Appr	JOEY NG	2006-12-21	Product family AirMax VS		Spec ref
FCI			AirMax VS R/A HEADER ASSY		Rev. D
			PRESS-FIT, 72 POS, 18MM		dwg no 10045267
			catalog no	CUSTOMER	sheet 1 of 5

REV F - 2006-04-17

DESCRIPTION	DIM A	DIM B	DIM C
2-18MM MODULES PLACED END-TO-END	4.00	17.90 2X	18.00
1-16MM MODULE & 1-18MM MODULE PLACED END-TO-END	3.00	15.90 1X & 17.90 1X	17.00

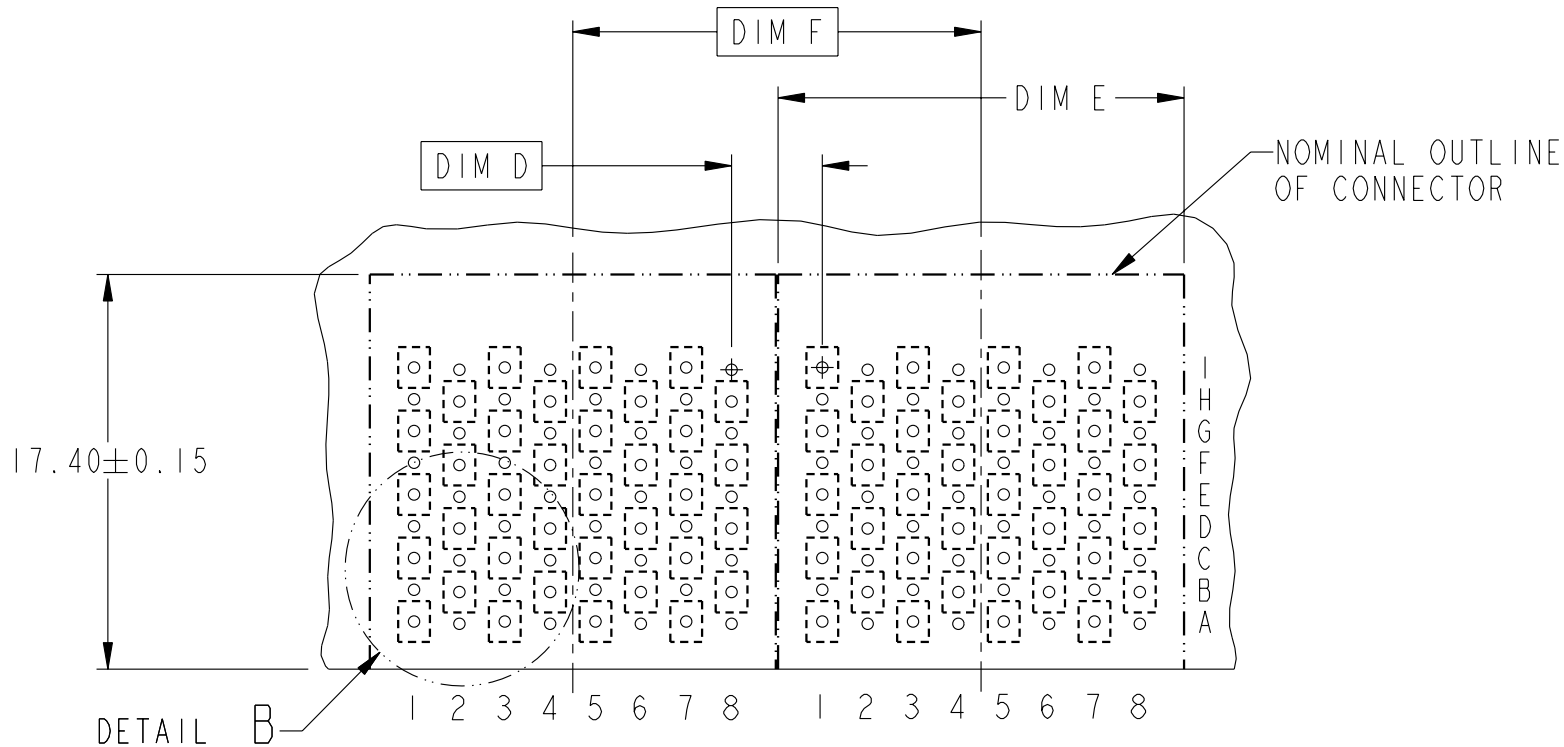


RECOMMENDED PCB LAYOUT  
FOR DIFFERENTIAL APPLICATIONS  
COMPONENT SIDE  
(TWO ADJACENT FOOTPRINTS SHOWN)  
NOTES 6 & 7

	title AirMax VS R/A HEADER ASSY PRESS-FIT, 72 POS, 18MM	dwg no 10045267	Rev. D
	catalog no -	CUSTOMER	sheet 2 of 5



DESCRIPTION	DIM D	DIM E	DIM F
2-18MM MODULES PLACED END-TO-END	4.00	17.90 2X	18.00
1-16MM MODULE & 1-18MM MODULE PLACED END-TO-END	3.00	15.90 1X & 17.90 1X	17.00



RECOMMENDED PCB LAYOUT  
FOR SINGLE ENDED APPLICATIONS  
COMPONENT SIDE  
(TWO ADJACENT FOOTPRINTS SHOWN)  
NOTES 6 & 7

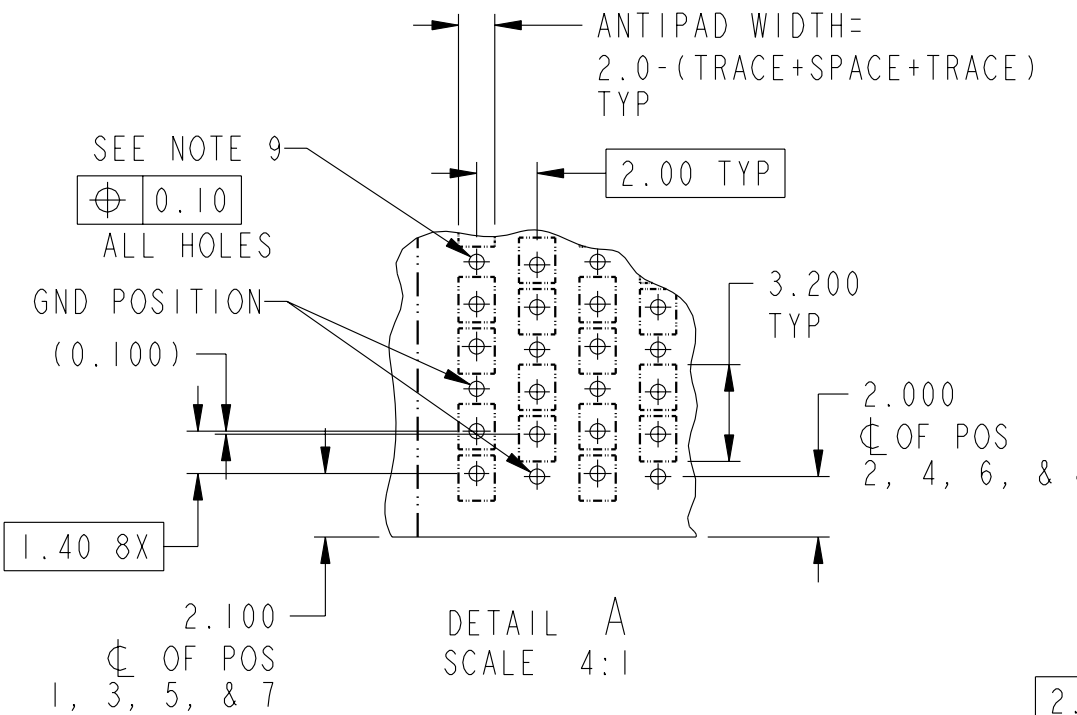
	title AirMax VS R/A HEADER ASSY PRESS-FIT, 72 POS, 18MM	dwg no 10045267	Rev. D
	catalog no -	CUSTOMER	sheet 3 of 5
	STATUS: Released		



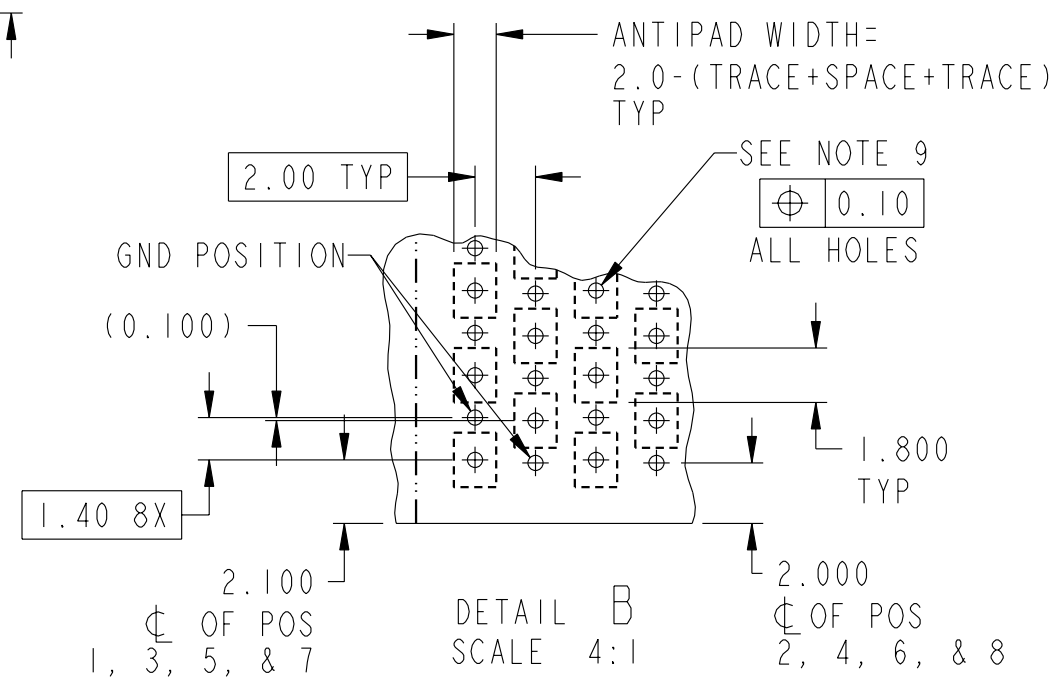
Copyright FCI.



Copyright FCI.



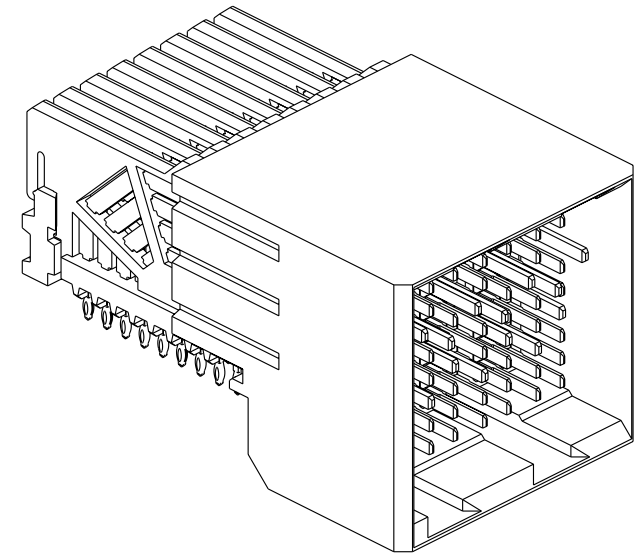
DETAIL A  
SCALE 4:1



DETAIL B  
SCALE 4:1

	part no	AirMax VS R/A HEADER ASSY	dwg no	10045267	Rev.	D
	catalog no	PRESS-FIT, 72 POS, 18MM	-	CUSTOMER	sheet 4 of 5	

PART NUMBER	PRESS-FIT TAIL PLATING TYPE	SHORT DETECT CONTACT
10045267-101	TIN/LEAD ALLOY OVER NICKEL	NO
10045267-101LF	TIN OVER NICKEL (LEAD FREE)	
10045267-111	TIN/LEAD ALLOY OVER NICKEL	YES (SEE NOTE 13)
10045267-111LF	TIN OVER NICKEL (LEAD FREE)	



NOTES:

1. CONNECTOR MATERIALS:  
HOUSING & RETAINER: HIGH TEMP THERMOPLASTIC, NATURAL, UL94V-0  
IMLA PLASTIC: HIGH TEMP THERMOPLASTIC, BLACK, UL94V-0  
CONTACT: COPPER ALLOY
2. CONTACT PLATING:  
SEPARABLE INTERFACE:  
PERFORMANCE-BASED PLATING, QUALIFIED TO MEET THE REQUIREMENTS OF FCI PRODUCT SPECIFICATION GS-12-239 INCLUDING TELCORDIA GR-1217-CORE (NOVEMBER 1995) CENTRAL OFFICE TEST SEQUENCE  
  
PRESS-FIT TAILS: SEE TABLE
3. PRODUCT SPECIFICATION: GS-12-239
4. APPLICATION SPECIFICATION: GS-20-035
5. PRODUCT MARKING, (PART NUMBER & LOT CODE), ON THIS SURFACE
6. REFER TO CUSTOMER DRAWING 10035911 FOR INFORMATION REGARDING PCB LAYOUT OF POWER AND GUIDE MODULES RELATIVE TO SIGNAL MODULES
7. POSITIONS F OF ODD NUMBERED COLUMNS AND POSITIONS G OF EVEN NUMBERED COLUMNS CORRESPOND TO EARLY MATE HEADER PINS
8. THERE IS NO GROUND BUSSING WITHIN THE CONNECTOR SYSTEM
9. REFER TO CUSTOMER DRAWING 10045979 FOR INFORMATION ON PCB HOLE DIAMETERS AND PLATING OPTIONS.
10. LEAD FREE PRODUCT MEETS EUROPEAN UNION DIRECTIVES AND OTHER COUNTRY REGULATIONS AS DESCRIBED IN GS-22-008.
11. THE HOUSING WILL WITHSTAND EXPOSURE TO 260°C PEAK TEMPERATURE FOR 40 SECONDS IN A CONVECTION, INFRA-RED OR VAPOR PHASE REFLOW OVEN.
12. PACKAGING MEETS GS-14-920 LEAD FREE LABELING SPECIFICATION.
13. MATING PIN E4 HAS 0.5mm LESS NOMINAL WIPE THAN THE SHORTEST SIGNAL PIN.



title	AirMax VS R/A HEADER ASSY	dwg no	10045267	Rev.	D
	PRESS-FIT, 72 POS, 18MM				
catalog no	-	CUSTOMER	sheet 5 of 5		