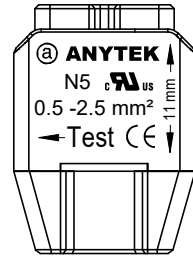
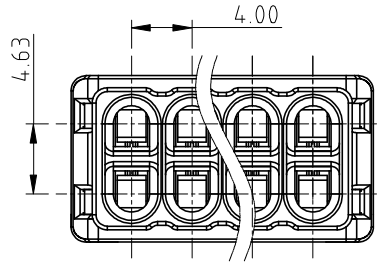


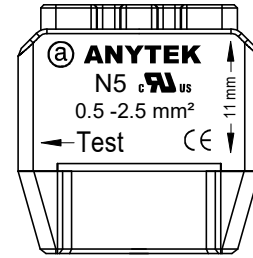
RoHS Compliant

REV	SIGN	DATE	DESCRIPTION	APPROVER
A0		2020.07.13	Initial Release	LENA

THIS IS CAD DRAWING, DO NOT REVISE MANUALLY!!!



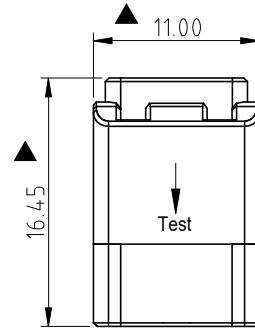
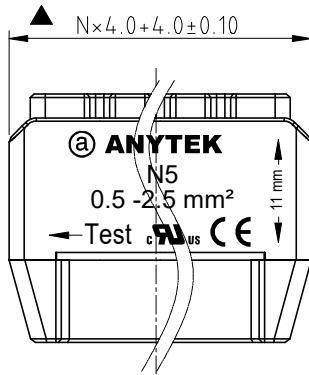
2P



3P

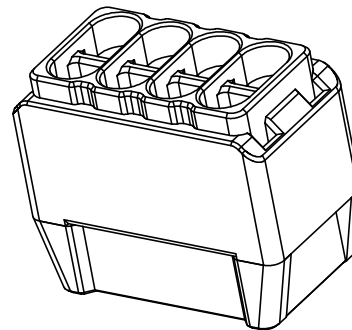
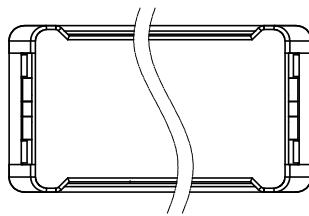
Electrical:

- Voltage rating: 300 V
- Current rating: 24 A
- Wire range(Solid wire AWG): 18-12 AWG
- Wire strip length: 11 mm
- Withstanding Voltage: 2.5KV
- Insulation Resistance: DV500V 500MΩ min
- Operating temperature: -40°C to +80°C
- Safety Approval:



Part No. **N5xx10x00000G**

- NO. OF POLES
- 04: 2x2 POLES
  - 06: 2x3 POLES
  - 08: 2x4 POLES
- Body Color:
- 3 Orange(RAL2011/P)
  - 4 Yellow(RAL1018/A)
  - 5 Green(RAL6018/T)
- RoHS compliant (lead<4%)  
In copper Alloy



**Amphenol**  
**ANYTEK**

**CUSTOMER COPY**

ALL RIGHTS RESERVED. REPRODUCTION OR ISSUE TO THIRD PARTIES IN ANY FORM WHATEVER IS NOT PERMITTED WITHOUT WRITTEN AUTHORITY FROM THE PROPRIETOR. PROPERTY OF ANYTEK TECHNOLOGY CO., LTD

TITLE	N5 Series ,pitch 4.00mm,T=11.0			
PART NO.	N5xx10x00000G		DWG NO.	8N50002
APPROVED	CHECKED	DESIGNED	DRAWN	CUST NO.
		LENA 2021.01.07	LENA 2021.01.07	
				Tolerance
				X. ±0.50
				X.X ±0.30
				X.XX ±0.10
				X° ±1°
				UNIT: mm
				SCALE: 2:1
				REV.: A0
				SHEET: 01/01