

6

5

4

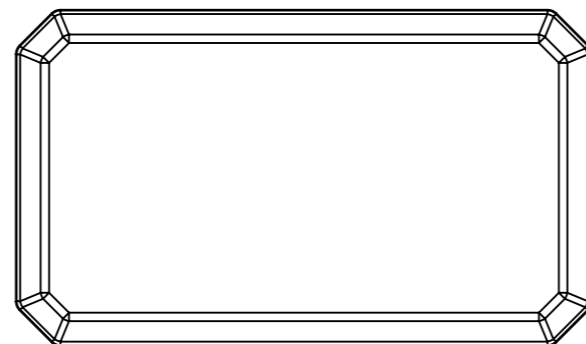
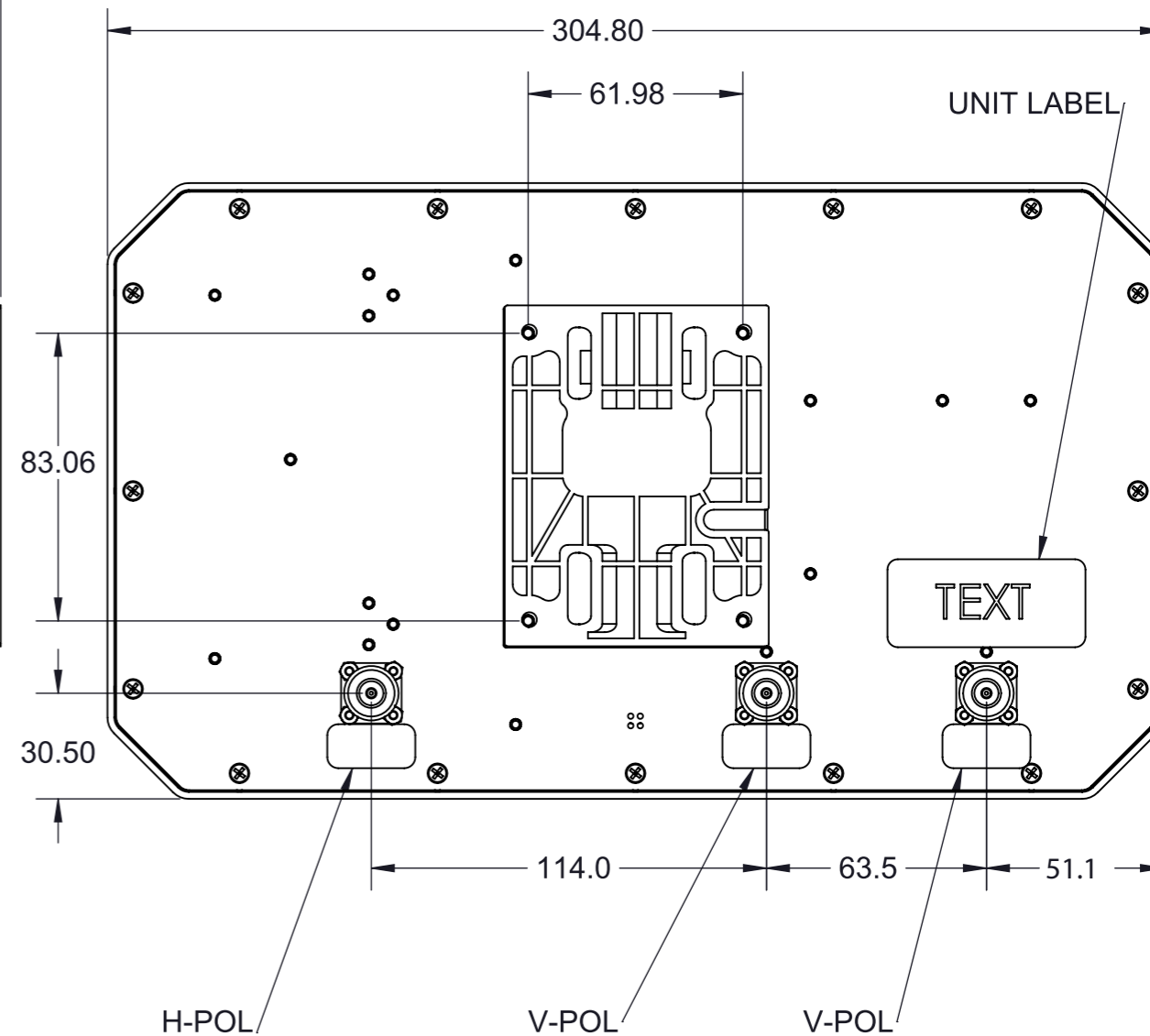
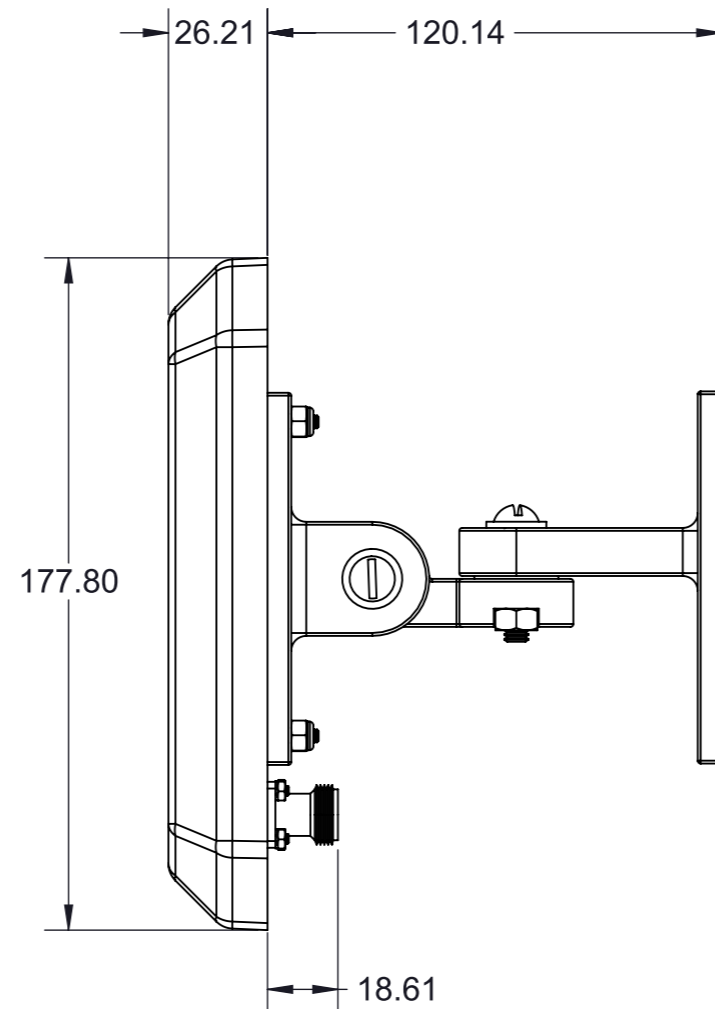
3

2

1

REVISIONS					
REV.	ECR#	ZONE	DESCRIPTION	CHANGED BY/DATE	APPROVED BY/DATE
AA			RELEASED FOR PRODUCTION	MJM 7/23/13	E.R. 7/23/13

Parameter	Performance	
Model Number	PDM24519-FNF	
Frequency	2400-2500 MHz	5150-5900MHz
Peak Gain	8.0 dBi	9.0 dBi
Azimuth Plane 3-dB Beamwidth (Typical)	90 °	120 °
Elevation Plane 3-dB Beamwidth (Typical)	45 °	30 °
Polarization	Dual Polarization(H, V)	
F/B Ratio	20 dB	
Impedance	50Ω	
VSWR V-Pole 2400-2500MHz	2.0:1	
VSWR V-Pole 5150-5900MHz	2.0:1	
VSWR H-Pole 2400-2500MHz	2.0:1	
VSWR H-Pole 5150-5900MHz	2.0:1	
Power	10 Watts	
RF Connector	Type N, Female Fixed	
Radome	MATERIAL: WHITE POLYCARBONATE	
Operating Temperature	-30 C to +70 C	
Storage Temperature	-40 C to +85C	
Water/Foreign Body Ingress	IP-67	
Antenna Weight	0.69 kg	



SCALE: 1:4

MATERIAL:	N/A	
FINISH:	N/A	
APPROVALS		DATE
DRAWN BY	M.McGinnis	6/13/13
PROJ. ENG.	T.Petropoulos	7/23/13
APPL. MECH.	S.JOHNSON	7/23/13
MFG.	B.THATCHER	7/23/13

THIRD ANGLE PROJECTION
DO NOT SCALE DRAWING
INTERPRET DIMENSIONING AND TOLERANCING IN ACCORDANCE WITH ASME Y14.5M-2009
TOLERANCES UNLESS OTHERWISE SPECIFIED
DIMENSIONS ARE IN MILLIMETERS
ANGLE: ±30'
0 PLACE DECIMAL: ±0.5
1 PLACE DECIMAL: ±0.25
2 PLACE DECIMAL: ±0.13
SURFACE ROUGHNESS 1.6/√



PDM24519-FNF

SIZE	DWG. NO.	REV
A3	PDM24519-FNF-MO	AA
SCALE: 1:2	PREVIOUS#	SHEET 1 OF 1

THIS DRAWING IS UNPUBLISHED.	RELEASED FOR PUBLICATION
© Copyright 2022 TE Connectivity Ltd.	ALL RIGHTS RESERVED.

6

5

4

3

2

1