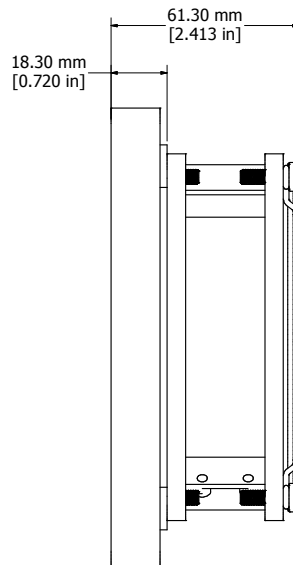
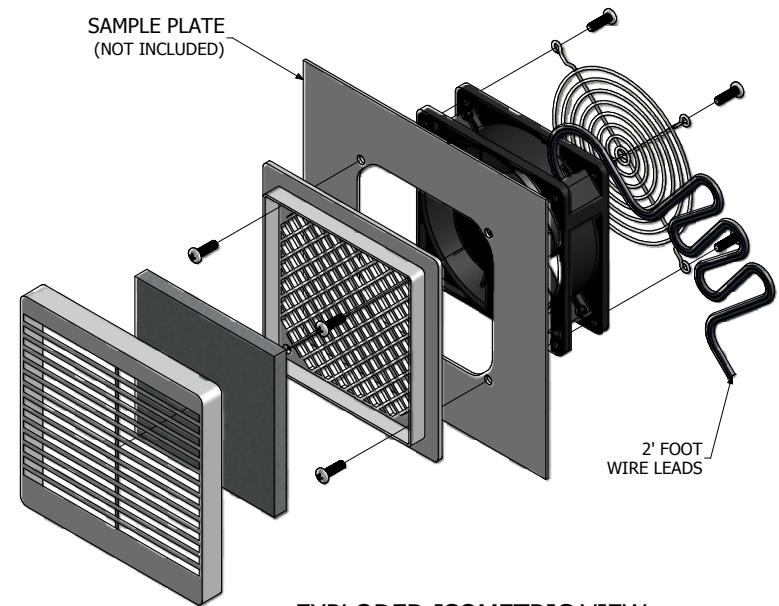


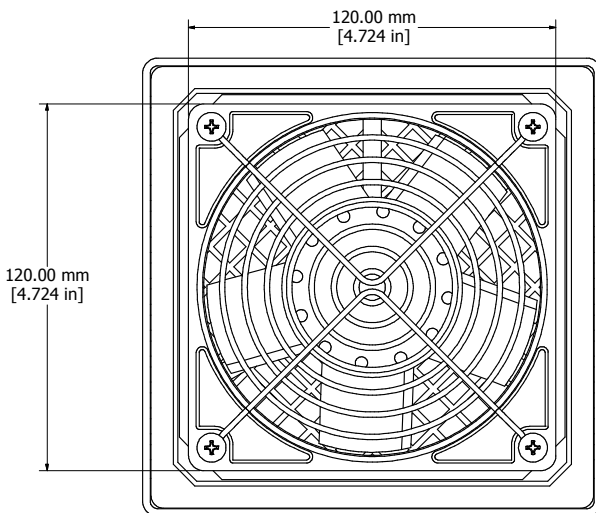
ASSEMBLY - VIEW FROM FRONT



ASSEMBLY - VIEW FROM SIDE



EXPLODED ISOMETRIC VIEW



ASSEMBLY - VIEW FROM BACK

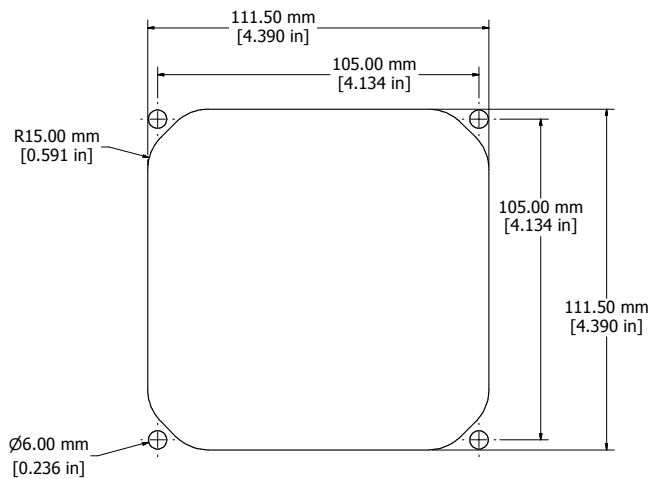


PLATE CUTOUT

DNFF 120**230	
Finish - Front Screen - ABS Plastic	
- Back Panel - ABS Plastic	
Rated - 230 VAC, 50/60 Hz, 0.09 Amps	
Free Flow Air Delivery - 105 CFM	
Colours	
DNFF120BK230 - Black	
DNFF120CG230 - Gray/Beige	
DNFF120GY230 - Gray	
DNFF120LG230 - Light Gray	
Hardware	
8 Screws - Panhead Self-tapping 10-32 x 1/2"	
4 Speed Nuts	



**HAMMOND
MANUFACTURING™**

DNFF120230**

www.hammondmfg.com