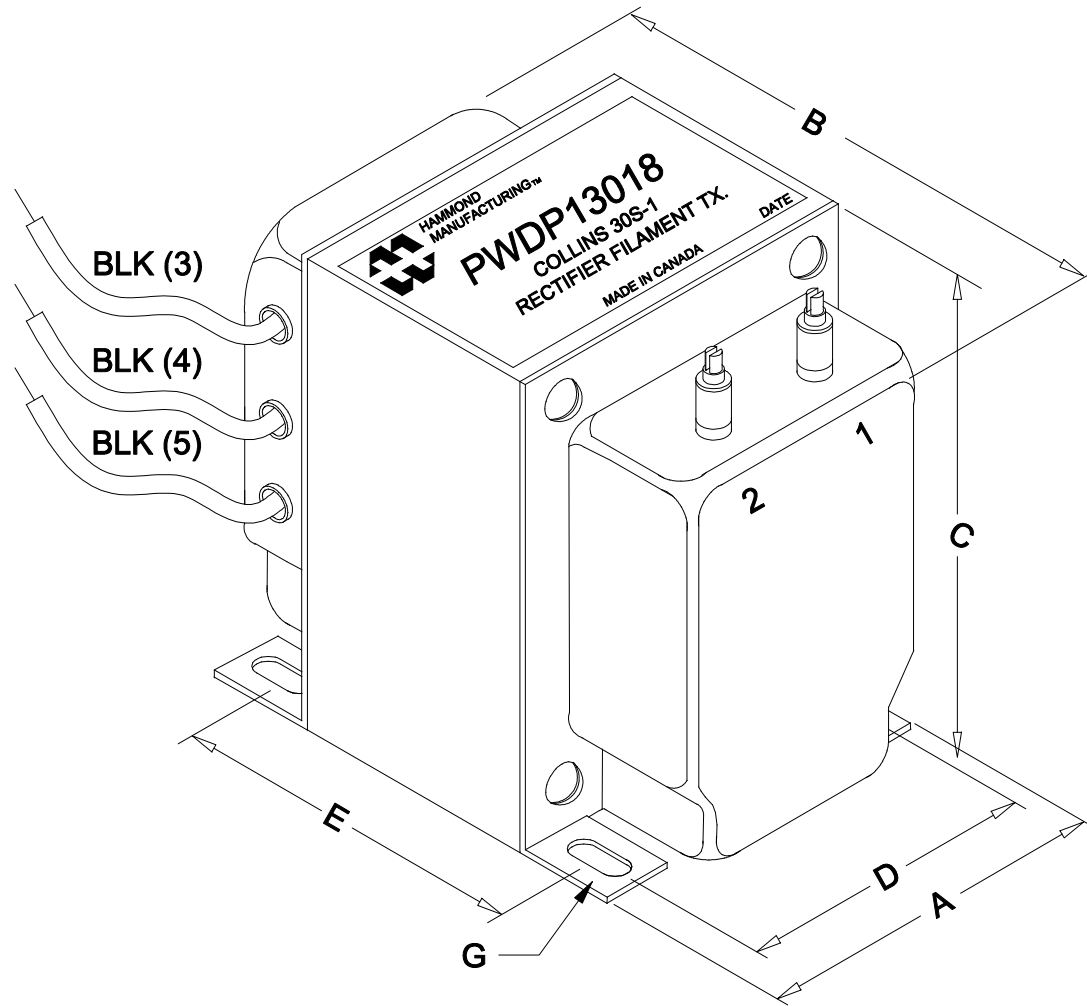
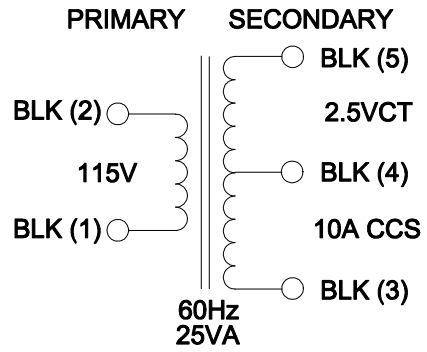


**DIMENSIONS:**

A	2.500" ±0.063
B	2.935" ±0.125
C	3.060" ±0.063
D	2.000" ±0.063
E	1.938" ±0.063
G	0.203" X 0.375" ±0.015



NOTE: ALL LEADS 12.0" LONG MIN. STRIP 0.5".  
HIPOT: SECONDARY TO CORE: 15 KVDC, 1SEC



**ELECTRONIC DIVISION**  
52 RANKIN PLACE,  
WATERLOO, ONTARIO, N2J 3Z5  
PH # (519) 886-6181  
FAX # (519) 886-9540

TITLE  
PWDP13018

NO	DATE	REVISION	DWG. BY
0	01/29/14	RELEASED. C.I.	CORINA ILIE
			DATE
			01/29/14
			DIM IN( )MM( )

EDBPWDP13018