

TPA3250D2EVM

This user's guide describes the operation of the evaluation module (TPA3250D2EVM) for the TPA3250D2 175-W Stereo/350-W mono peak power PurePath™ Ultra-HD Analog Input Pad Down Class-D Amplifier. The user's guide also provides design information, which includes schematic, Bill of Material, and PCB layout. For questions and support go to the E2E forums (e2e.ti.com).

The main contents of this document are:

- Hardware descriptions and implementation
- Design information

Related documents:

- TPA3250D2 Data Sheet ([SLASE99](#))

Contents

1	Hardware Overview.....	2
1.1	TPA3250D2EVM Features	2
1.2	TPA3250D2EVM Frequency Adjust	2
1.3	TPA3250D2EVM Single-Ended and Differential Input	3
1.4	TPA3250D2EVM Clip Overtemperature and Fault Indicators	4
2	TPA3250D2EVM Setup.....	5
2.1	TPA3250D2EVM Setup.....	5
2.2	Hardware Requirements	5
2.3	Hardware Default Setup BTL (2.0)	6
3	Using TPA3250D2EVM in Different Output Configurations	7
3.1	BTL Plus Two SE (2.1) Operation	7
3.2	PBTL (0.1) Output Operation.....	7
3.3	Single-Ended (SE) Output (4.0) Operation	8
4	Board Layouts, Bill of Materials, and Schematic	9
4.1	TPA3250D2EVM Board Layouts	9
4.2	TPA3250D2EVM Board Dimension.....	11
4.3	Bill of Materials	12
4.4	TPA3250D2EVM Schematic.....	16

List of Figures

1	TPA3250D2EVM.....	2
2	TPA3250D2EVM Connections	5
3	TPA3250D2EVM Top Composite Assembly	9
4	TPA3250D2EVM Bottom Composite Assembly.....	10
5	TPA3250D2EVM Board Dimension.....	11
6	TPA3250D2EVM Schematic.....	16

List of Tables

1	Frequency Adjust Master Mode Selection.....	3
2	Fault and Clip Overtemperature Status	4
3	Mode Selection Pins.....	7
4	Bill of Materials	12

PurePath is a trademark of Texas Instruments.

1 Hardware Overview

The TPA3250D2EVM PurePath™ Ultra-HD evaluation module demonstrates the TPA3250D2DDV integrated circuit from Texas Instruments. The TPA3250D2DDV is a high-performance, high-power, class-D amplifier that enables true premium sound quality with high efficiency class-D technology. It features an advance integrated feedback design and high-speed gate driver error correction (PurePath Ultra-HD), which enables ultra-low distortion across the audio band and superior audio quality. This EVM supports 2 BTL (stereo 2.0) output channels, 1 PBTL (mono 0.1) output channel, 1 BTL plus 2 SE (2.1) output channels, and 4 SE (4.0) output channel configurations. The NE5532 is a high-performance audio op amp designed to allow TPA3250D2DDV operation with differential or single-ended input signals to the EVM with differential inputs yielding the optimal performance. TPA3250D2EVM is a complete 2Vrms analog input 175 W stereo/350 W mono peak power (90 W Stereo continuous into 8 Ω) amplifier ready for evaluation and excellent listening experience.

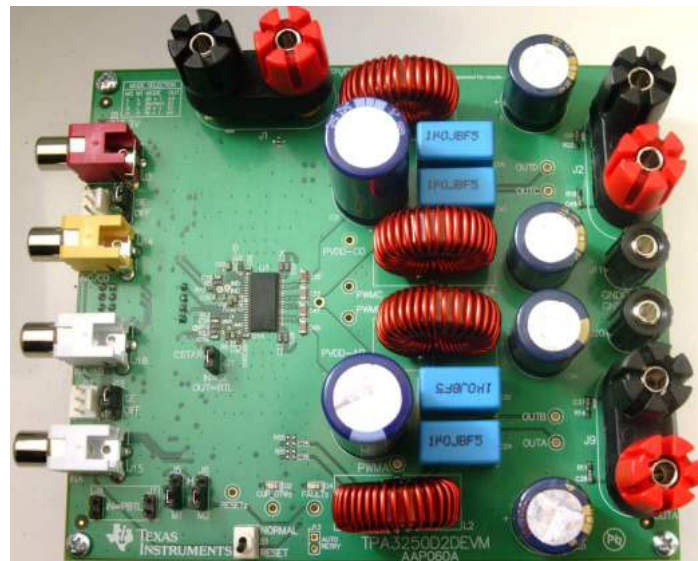


Figure 1. TPA3250D2EVM

1.1 TPA3250D2EVM Features

The TPA3250D2EVM has following features:

- Stereo PurePath Ultra-HD evaluation module
- Self-contained protection system (short circuit, clip, and thermal)
- Standard 2 V_{RMS} differential input or single-ended line input
- BTL, PBTL, and SE output configuration support
- Frequency adjust and oscillator sync interface
- Single supply voltage range 18–38 V
- Double-sided, plated-through, 2-oz Cu, 4-layer PCB layout

1.2 TPA3250D2EVM Frequency Adjust

The TPA3250D2EVM offers hardware trimmed oscillator frequency by external control of the `FREQ_ADJ` pin. The Frequency adjust can be used to reduce interference problems while using a radio receiver tuned within the AM band, the switching frequency can be changed from nominal to lower values. These values should be chosen such that the nominal and the lower value switching frequencies together results in the fewest cases of interference throughout the AM band. The oscillator frequency can be selected by the value of the `FREQ_ADJ` resistor connected to GND in master mode according to [Table 1](#).

Table 1. Frequency Adjust Master Mode Selection

Master Mode	Resistor to GND (kΩ)
Nominal	10
AM1	20
AM2	30

For slave-mode operation, turn off the oscillator by pulling the `FREQ_ADJ` pin to `DVDD`. This configures the `OSC_I/O` pins as inputs to be slaved from an external differential clock. In a master/slave system inter-channel delay is automatically setup between the switching phases of the audio channels, which can be illustrated by no idle channels switching at the same time. This will not influence the audio output, but only the switch timing to minimize noise coupling between audio channels through the power supply. This will optimize audio performance and result in better operating conditions for the power supply. The inter-channel delay will be setup for a slave device depending on the polarity of the `OSC_I/O` connection such that slave mode 1 is selected by connecting `OSC_I/O` of the master device in phase with `OSC_I/O` of the slave device (+ to + and – to –), while slave mode 2 is selected by connecting the `OSC_I/O`'s out of phase (+ to – and – to +).

1.3 TPA3250D2EVM Single-Ended and Differential Input

The TPA3250D2EVM supports both differential and single-ended inputs. For single-ended inputs, J4 and/or J19 jumpers are set to the SE position, so that the TPA3250D2EVM uses the NE5532 to convert the single-ended input signal to differential to properly drive the differential inputs of the TPA3250D2. The input RCA jack, J3, is used to provide INA and INB inputs and RCA jack J18 is used to provide INC and IND inputs with single-ended inputs.

For differential input operation, J4 and/or J19 jumpers are set to the DIFF position, and the TPA3250D2EVM uses the NE5532 to buffer the differential input signal to the differential inputs of the TPA3250D2. The input RCA jack, J3, is used to provide INA, RCA jack J14 provides INB, RCA jack J18 provides INC, and RCA jack J15 provides IND with differential inputs.

NOTE: Single-ended input settings on the TPA3250D2EVM should only be used for channels with output configuration BTL or PBTL, not SE. For SE output configuration J4 and/or J19 jumpers for that channel must be set to the DIFF position, so the input signal INx is mapped directly to OUTx.

1.4 TPA3250D2EVM Clip Overtemperature and Fault Indicators

The TPA3250D2EVM is equipped with LED indicators that illuminate when the `FAULT` and/or `CLIP_OTW` pin goes low. See [Table 2](#) and the TPA3250D2 data sheet ([SLASE40](#)) for more details.

Table 2. Fault and Clip Overtemperature Status

<code>FAULT</code>	<code>CLIP_OTW</code>	Description
0	0	Overtemperature (OTE) or overload (OLP) or undervoltage (UVP). Junction temperature higher than 125°C (overtemperature warning).
0	0	Overload (OLP) or undervoltage (UVP). Junction temperature higher than 125°C (overtemperature warning).
0	1	Overload (OLP) or undervoltage (UVP). Junction temperature lower than 125°C.
1	0	Junction temperature higher than 125°C (overtemperature warning)
1	1	Junction temperature lower than 125°C and no OLP or UVP faults (normal operation)

2 TPA3250D2EVM Setup

This section describes the TPA3250D2EVM hardware setup and connection.

2.1 TPA3250D2EVM Setup

Figure 2 illustrates the TPA3250D2EVM connection.

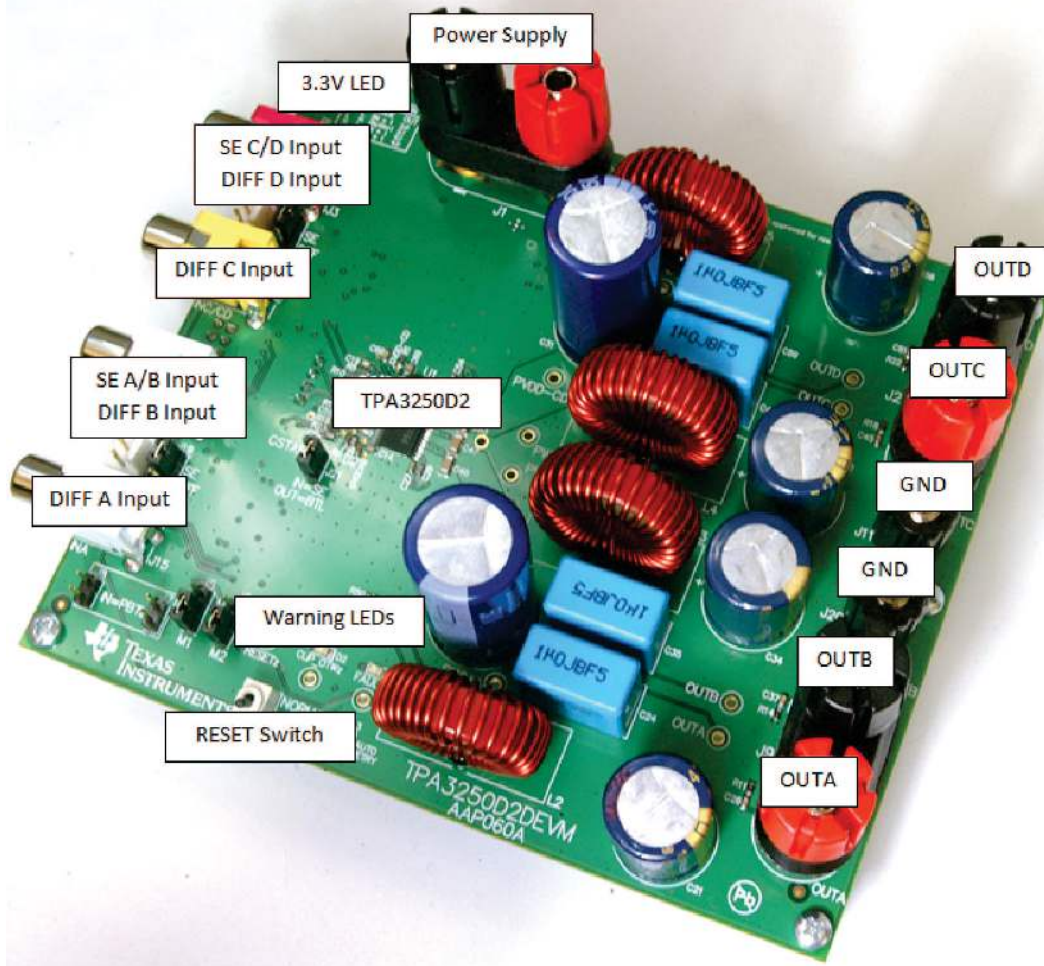


Figure 2. TPA3250D2EVM Connections

2.2 Hardware Requirements

The following hardware is required for this EVM:

- TPA3250D2EVM (AIP025-001)
- Power supply 5–14 A/18–38 V_{DC}
- Two 4–8 Ω (≈100 W) speakers/resistor loads
- Four speaker/banana cables
- RCA input cables
- Analog output audio source

2.3 Hardware Default Setup BTL (2.0)

BTL (2.0) default hardware setup is as follows:

- Remove the EVM from the ESD bag.
- Check that jumpers are in their default state as shown in [Figure 1](#) for stereo **BTL** operation:
 - J4 and J19 **pin 1-pin 2 position** (SE Input)
 - J5 and J6 **pin 2-pin 3 position** (2 BTL Output)
 - J7, J8, J17, and J21 **out**
 - J16 **pin 3-pin 4 position** (Master Mode)
 - J22, J23, J24 and J25 **in** (BTL Outputs)
- Set **S1** to the **RESET** position.
- Set power supply to 36 V (18- to 38-V range) and current to 10 A (5- to 14-A range). Do not power up until all connections are completed.
- Connect power supply to TPA3250D2 EVM positive terminal to PVDD (**RED**) and negative terminal to GND (**BLACK**).
- Connect **left** channel speaker/power resistor load (4–8 Ω) to TPA3250D2 EVM positive output terminal to OUTA (**BLACK**) and AP analog input channel A positive terminal.
- Connect **left** channel speaker/power resistor load (4–8 Ω) to TPA3250D2 EVM negative output terminal to OUTB (**RED**) and AP analog input channel A negative terminal.
- Connect **right** channel speaker/power resistor load (4–8 Ω) to TPA3250D2 EVM positive output terminal to OUTC (**BLACK**) and AP analog input channel B positive terminal.
- Connect **right** channel speaker/power resistor load (4–8 Ω) to TPA3250D2 EVM negative output terminal to OUTD (**RED**) and AP analog input channel B negative terminal.
- Be careful not to mix up PVDD and OUTD and OUTB terminals, since the colors are the same (**RED**).
- For **single-ended stereo inputs**, connect AP channel A XLR to RCA male jacks to female RCA jacks input D/CD (**RED**) and AP channel B XLR to RCA male jacks to female RCA jacks input B/AB (**WHITE**) and set **J4** and **J19** jumper positions to SE.
- For **differential stereo inputs**, connect positive RCA male jacks to female RCA jacks input D/CD (**RED**) and input B/AB (**WHITE**) and connect negative RCA male jacks to female RCA jacks input C (**YELLOW**) and input A (**BLACK**) and set **J4** and **J19** jumper positions to DIFF.
- Power up power supply once all the connections are made correctly and the 3.3-V LED (**GREEN**) will illuminate.
- Set **S1** to the **NORMAL** position.
- CLIP_OTWz (**ORANGE**) and FAULTz (**RED**) LEDs should be off, if the audio source is off.

NOTE: **J3/J10** and **J18/J15** can be used for differential inputs to INA/INB and INC/IND, respectively.

Using a smart phone/tablet/PC with headphone to RCA cable, audio streaming via headphone jack can begin once the EVM is powered up correctly with jumpers in their default state. Start the media player of your choice and enjoy the enhanced audio performance TPA3250D2 provides as a quick check of the setup.

3 Using TPA3250D2EVM in Different Output Configurations

The TPA3250D2EVM can be configured for four different output operations. The 2.0 BTL configuration is the default set up of the TPA3250D2EVM described in [Section 2.3](#). The remaining three configurations are 2.1 BTL plus two single-ended (SE) outputs, 0.1 PBTL output, and 4.0 single-ended (SE) outputs.

Table 3. Mode Selection Pins

Mode Pins		Input Mode	Output Configuration	Description
M2	M1			
0	0	2N + 1	2 × BTL	Stereo BTL output configuration
0	1	2N/1N + 1	1 × BTL + 2 × SE	2.1 BTL + SE mode
1	0	2N + 1	1 × PBTL	Paralleled BTL configuration. Connect INPUT_C and INPUT_D to GND.
1	1	1N + 1	4 × SE	Single-ended output configuration

3.1 BTL Plus Two SE (2.1) Operation

Configure the EVM as follows for 2 SE + 1 BTL operation:

- Set **J6** to L and **J5** to H.
- Connect left (stereo) speaker/power resistor load (4–8 Ω) positive terminal to OUTC and remove jumper **J24**.
- Connect right (stereo) speaker/power resistor load (4–8 Ω) positive terminal to OUTD and remove jumper **J25**.
- Connect subwoofer (mono) speaker/power resistor load (4–8 Ω) positive terminal to OUTA and negative terminal to OUTB.
- Set **J19** jumper position to DIFF.
- Connect **left** (stereo) channel input to female RCA jack input C (**YELLOW**) for OUTC speaker.
- Connect **right** (stereo) channel input to female RCA jack input D/CD (**RED**) for OUTD speaker.
- For **single-ended subwoofer (mono) input**, connect RCA male jack to female RCA jack input B/AB (**WHITE**) and set **J4** jumper positions to SE.
- For **differential subwoofer (mono) inputs**, connect positive RCA male jack to female RCA jack input B/AB (**WHITE**) and connect negative RCA male jack to female RCA jack input A (**BLACK**) and set **J4** jumper positions to DIFF.

NOTE: **OUTC** and **OUTD** are the single-ended output channels and **OUTA** and **OUTB** are the BTL channel for 2.1 operations.

3.2 PBTL (0.1) Output Operation

Configure the EVM as follows for PBTL operations:

- Set **J6** to H and **J5** to L.
- Connect speaker/power resistor (2–4 Ω) positive terminal to OUTA and OUTC (OUT A and C shorted).
- Connect speaker/power resistor (2–4 Ω) negative terminal to OUTB and OUTD (OUT B and D shorted).
- Install PBTL jumpers **J7** and **J8** (pulls input C and input D to GND).
- For **single-ended mono input**, connect RCA male jack to female RCA jack input B/AB (**WHITE**) and set **J4** jumper positions to SE.
- For **differential mono inputs**, connect positive RCA male jack to female RCA jack input B/AB (**WHITE**) and connect negative RCA male jack to female RCA jack input A (**BLACK**) and set **J4** jumper position to DIFF.

NOTE: **INA** and **INB** are the inputs for PBTB and **INC** and **IND** are grounded for PBTB operation.

3.3 Single-Ended (SE) Output (4.0) Operation

Configure the EVM as follows for 4 single-ended operations:

- Set **J6** to H and **J5** to H.
- Connect speaker/power resistor (4–8 Ω) positive terminal to OUTA and remove jumper **J22**.
- Connect speaker/power resistor (4–8 Ω) positive terminal to OUTB and remove jumper **J23**.
- Connect speaker/power resistor (4–8 Ω) positive terminal to OUTC and remove jumper **J24**.
- Connect speaker/power resistor (4–8 Ω) positive terminal to OUTD and remove jumper **J25**.
- Set both **J4** and **J19** jumpers position to DIFF.
- Connect input to female RCA jack input A (**BLACK**) for OUTA speaker.
- Connect input to female RCA jack input B/AB (**WHITE**) for OUTB speaker.
- Connect input to female RCA jack input C (**YELLOW**) for OUTC speaker.
- Connect input to female RCA jack input D/CD (**RED**) for OUTD speaker.

NOTE: The performance of the TPA3250D2EVM/TPA3250D2DDV is dependent on the power supply. Design the power supply with margins that can deliver the needed power. In low-frequency applications additional bulk capacitance may be needed. Replacing the bulk capacitors on the TPA3250D2EVM with 3300 μ F or more capacitance may be necessary, depending on the power supply used.

4 Board Layouts, Bill of Materials, and Schematic

4.1 TPA3250D2EVM Board Layouts

Figure 3 and Figure 4 illustrate the board layouts for the EVM.

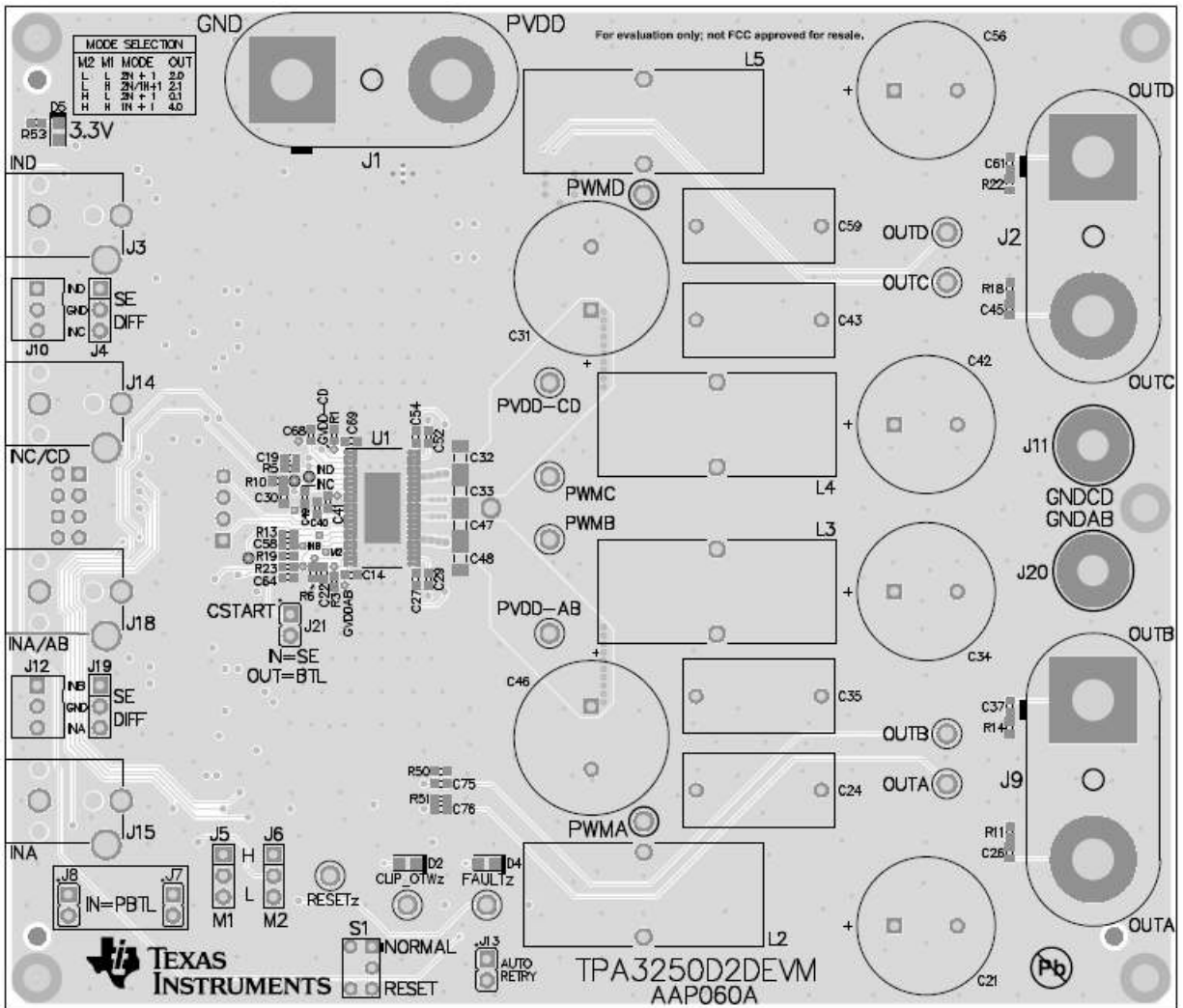


Figure 3. TPA3250D2EVM Top Composite Assembly

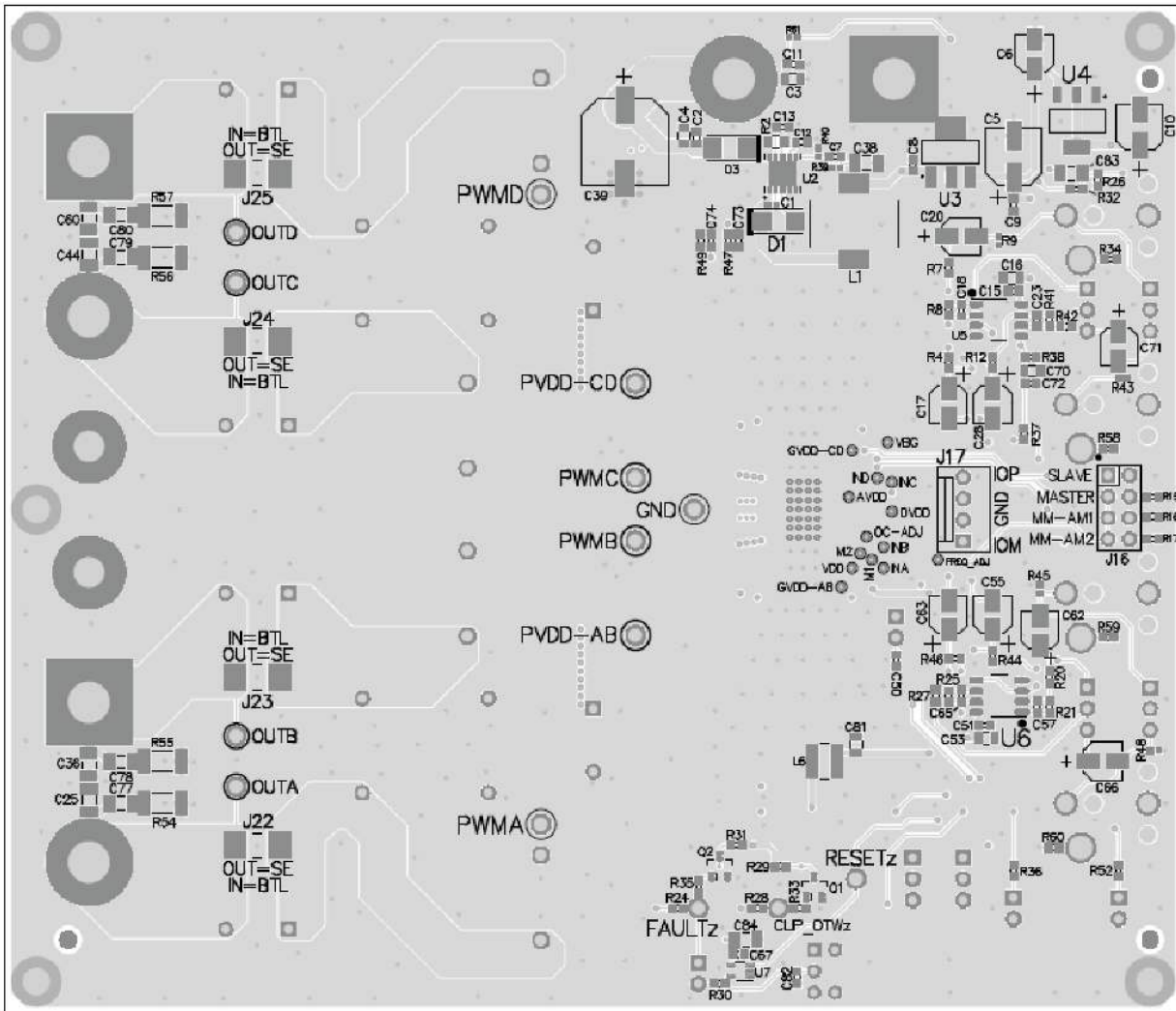


Figure 4. TPA3250D2EVM Bottom Composite Assembly

4.2 TPA3250D2EVM Board Dimension

Figure 5 illustrates the TPA3250D2EVM board dimensions 140 mm × 120 mm.

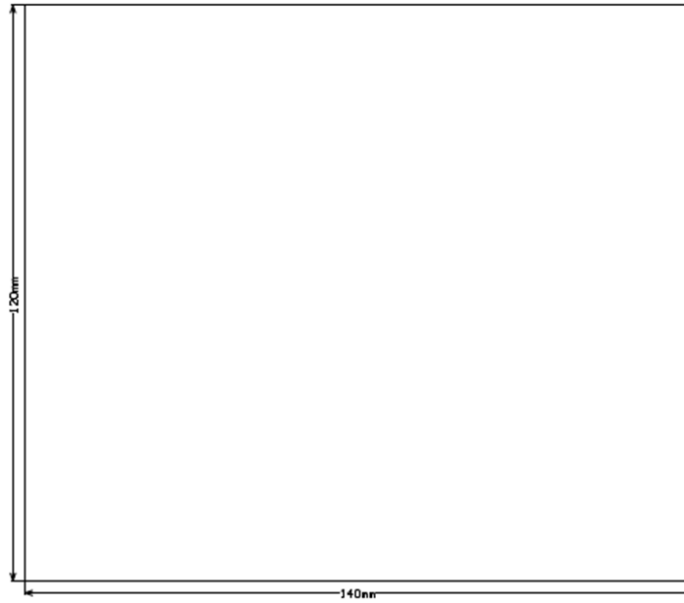


Figure 5. TPA3250D2EVM Board Dimension

4.3 Bill of Materials

Table 4 displays the Bill of Materials for the TPA3250D2EVM.

Table 4. Bill of Materials

Designator	Qty	Value	Description	Package Reference	Part Number	Manufacturer
!PCB1	1		Printed Circuit Board		AAP060	Any
C1	1	0.047 μ F	CAP, CERM, 0.047 μ F, 25 V, \pm 10%, X7R, 0402	0402	GRM155R71E473KA88D	MuRata
C2, C9, C13, C14, C15, C22, C51, C67, C69, C72, C82	11	0.1 μ F	CAP, CERM, 0.1 μ F, 50 V, 10%, X7R, 0603	0603	C0603C104K5RACTU	Kemet
C3	1	1 μ F	CAP, CERM, 1 μ F, 50 V, 10%, X7R, 0805	0805	GRM21BR71H105KA12L	MuRata
C4	1	2.2 μ F	CAP, CERM, 2.2 μ F, 50 V, 10%, X5R, 0805	0805	C2012X5R1H225K125AB	TDK
C5	1	47 μ F	CAP, AL, 47 μ F, 16 V, 20%, 0.36 Ω , SMD	SMT Radial D	EEE-FK1C470P	Panasonic
C6, C17, C20, C28, C55, C62, C63, C66, C71	9	10 μ F	CAP, AL, 10 μ F, 16 V, 20%, 1.35 Ω , SMD	SMT Radial B	EEE-FK1C100R	Panasonic
C7	1	5600 pF	CAP, CERM, 5600 pF, 50 V, 10%, X7R, 0603	0603	GRM188R71H562KA01D	MuRata
C8, C50	2	0.47 μ F	CAP, CERM, 0.47 μ F, 25 V, 10%, X7R, 0603	0603	GRM188R71E474KA12D	MuRata
C10	1	100 μ F	CAP, AL, 100 μ F, 6.3 V, 20%, 0.7 Ω , SMD	SMT Radial C	EEE-FK0J101UR	Panasonic
C11, C26, C37, C45, C49, C61	6	0.01 μ F	CAP, CERM, 0.01 μ F, 50 V, 10%, X7R, 0603	0603	GRM188R71H103KA01D	MuRata
C12	1	4700 pF	CAP, CERM, 4700 pF, 50 V, 10%, X7R, 0603	0603	C0603X472K5RACTU	Kemet
C16, C53, C70, C81	4	10 μ F	CAP, CERM, 10 μ F, 16 V, 10%, X5R, 0805	0805	EMK212BJ106KG-T	Taiyo Yuden
C18, C23, C57, C65	4	22 pF	CAP, CERM, 22 pF, 50 V, 5%, C0G/NP0, 0603	0603	GRM1885C1H220JA01D	MuRata
C19, C30, C58, C64	4	100 pF	CAP, CERM, 100 pF, 50 V, 5%, C0G/NP0, 0603	0603	GRM1885C1H101JA01D	MuRata
C21, C34, C42, C56	4	470 μ F	CAP, AL, 470 μ F, 63 V, 20%, 0.059 Ω , TH	D16xL20mm	EEU-FC1J471	Panasonic
C24, C35, C43, C59	4	1.0 μ F	CAP, Film, 1.0 μ F, 250 V, 5%, TH	18x9x17.5mm	PHE426HB7100JR06	Kemet Inc
C25, C36, C44, C60	4	1000 pF	CAP, CERM, 1000 pF, 50 V, 5%, C0G/NP0, 1206	1206	GRM3195C1H102JA01D	MuRata
C27, C29, C52, C54	4	0.033 μ F	CAP, CERM, 0.033 μ F, 50 V, 10%, X7R, 0603	0603	GRM188R71H333KA61D	MuRata
C31, C46	2	3300 μ F	CAP, AL, 3300 μ F, 50 V, 20%, TH	D18xL35.5mm	ECA-1HM332	Panasonic
C32, C33, C47, C48, C83, C84	6	1 μ F	CAP, CERM, 1 μ F, 50 V, 10%, X7R, 1206	1206	GRM31MR71H105KA88L	MuRata

Table 4. Bill of Materials (continued)

Designator	Qty	Value	Description	Package Reference	Part Number	Manufacturer
C38	1	4.7 μ F	CAP, CERM, 4.7 μ F, 25 V, 10%, X7R, 1206	1206	GRM31CR71E475KA88L	MuRata
C39	1	47 μ F	CAP, AL, 47 μ F, 50 V, 20%, 0.3 , SMD	SMT Radial G	EEE-FC1H470P	Panasonic
C40, C41	2	1 μ F	CAP, CERM, 1 μ F, 16 V, 10%, X7R, 0603	0603	GRM188R71C105KA12D	MuRata
C68	1	0.1 μ F	CAP, CERM, 0.1 μ F, 50 V, 10%, X7R, 0603	0603	C0603C104K5RACTU	Kemet
D1	1	100 V	Diode, Schottky, 100 V, 1 A, SMA	SMA	B1100-13-F	Diodes Inc.
D2	1	Orange	LED, Orange, SMD	LED_0805	LTST-C170KFKT	Lite-On
D3	1	100 V	Diode, Schottky, 100 V, 3 A, SMA	SMA	SK310A-TP	Micro Commercial Components
D4	1	Red	LED, Red, SMD	LED_0805	LTST-C170KRKT	Lite-On
D5	1	Green	LED, Green, SMD	LED_0805	LTST-C170KGKT	Lite-On
H1, H2, H3, H4, H5	5	M3x5 mm	MACHINE SCREW PAN PHILLIPS M3 5 mm	Screw M3 Phillips head	MPMS 003 0005 PH	B&F Fastener Supply
H6, H7, H8, H9, H10	5	M3	Standoff, Hex, 25 mm Length, M3, Aluminum	Standoff M3	24438	Keystone
J1, J2, J9	3		Dual Binding Posts with Base, 2x1, TH	Dual Binding Posts with Base, 2x1, TH	6883	Pomona Electronics
J3	1		RCA Jack, Red, R/A, TH	PC Mount Phono Jack-Red, TH	971	Keystone
J4, J5, J6, J19	4	1x3	Header, 100 mil, 3x1, Gold, TH	PBC03SAAN	PBC03SAAN	Sullins Connector Solutions
J7, J8, J21	3		Header, 100 mil, 2x1, Gold, TH	Sullins 100mil, 1x2, 230 mil above insulator	PBC02SAAN	Sullins Connector Solutions
J10, J12	2		Header, 2.54 mm, 3x1, TH	Header, 2.54mm, 3x1, TH	22-11-2032	Molex
J11, J20	2		Binding Post, BLACK, TH	11.4x27.2mm	7007	Keystone
J14	1		RCA Jack, Yellow, R/A, TH	RCA Jack, Yellow, R/A, TH	973	Keystone
J15	1		RCA Jack, Black, R/A, TH	RCA Jack, Black, R/A, TH	972	Keystone
J16	1		Header, 100mil, 4x2, Tin, TH	Header, 4x2, 100mil, Tin	PEC04DAAN	Sullins Connector Solutions
J17	1		Header (friction lock), 100 mil, 4x1, Gold, TH	Header 4x1 keyed	0022112042	Molex
J18	1		RCA Jack, White, R/A, TH	PC Mount Phono Jack-White, TH	970	Keystone
J22, J23, J24, J25	4		JUMPER TIN SMD	6.85x0.97x2.51 mm	S1911-46R	Harwin

Table 4. Bill of Materials (continued)

Designator	Qty	Value	Description	Package Reference	Part Number	Manufacturer
L1	1	100uH	Inductor, Shielded Drum Core, Ferrite, 100 μ H, 1.5 A, 0.165 , SMD	10x5x10mm	7447714101	Würth Elektronik eiSos
L2, L3, L4, L5	4	10 uH	Inductor, Toroid, Powdered Iron, 10 μ H, 5 A, 0.030 , TH	28.6x12.3mm	MA5172-AE	Coilcraft
L6	1	10 uH	Inductor, Wirewound, 10 μ H, 0.8 A, 0.204 , SMD	2-Pin SMD, Body 4 x 4 mm, Height 1.2 mm	NRS4012T100MDGJV	Taiyo Yuden
Q1, Q2	2	60 V	MOSFET, N-CH, 60 V, 0.17 A, SOT-23	SOT-23	2N7002-7-F	Diodes Inc.
R1, R3, R4, R12, R30, R44, R46	7	0	RES, 0, 5%, 0.1 W, 0603	0603	CRCW06030000Z0EA	Vishay-Dale
R2	1	182 k	RES, 182 k, 1%, 0.125 W, 0805	0805	ERJ-6ENF1823V	Panasonic
R5, R10, R19, R23, R33, R35	6	100	RES, 100, 1%, 0.1 W, 0603	0603	CRCW0603100RFKEA	Vishay-Dale
R6, R11, R14, R18, R22	5	3.3	RES, 3.3, 5%, 0.1 W, 0603	0603	CRCW06033R30JNEA	Vishay-Dale
R7, R8, R20, R21, R25, R27, R37, R38, R41, R42	10	10.0 k	RES, 10.0 k, 0.1%, 0.1 W, 0603	0603	RT0603BRD0710KL	Yageo America
R9, R43, R45, R48, R61	5	100 k	RES, 100 k, 1%, 0.063 W, 0402	0402	CRCW0402100KFKED	Vishay-Dale
R13	1	22.0 k	RES, 22.0 k, 1%, 0.1 W, 0603	0603	RC0603FR-0722KL	Yageo America
R15, R36, R52	3	10.0 k	RES, 10.0 k, 1%, 0.1 W, 0603	0603	CRCW060310K0FKEA	Vishay-Dale
R16	1	20.0 k	RES, 20.0 k, 1%, 0.1 W, 0603	0603	RC0603FR-0720KL	Yageo America
R17	1	30.0 k	RES, 30.0 k, 1%, 0.1 W, 0603	0603	RC0603FR-0730KL	Yageo America
R24, R28	2	47 k	RES, 47 k, 5%, 0.1 W, 0603	0603	RC0603JR-0747KL	Yageo America
R26	1	3.30 k	RES, 3.30 k, 1%, 0.1 W, 0603	0603	RC0603FR-073K3L	Yageo America
R29, R31	2	1.00 k	RES, 1.00 k, 1%, 0.1 W, 0603	0603	CRCW06031K00FKEA	Vishay-Dale
R32	1	12.0 k	RES, 12.0 k, 1%, 0.1 W, 0603	0603	ERJ-3EKF1202V	Panasonic
R39	1	4.99 k	RES, 4.99 k, 1%, 0.063 W, 0402	0402	CRCW04024K99FKED	Vishay-Dale
R40	1	1.00 k	RES, 1.00 k, 1%, 0.063 W, 0402	0402	CRCW04021K00FKED	Vishay-Dale
R53	1	499	RES, 499, 1%, 0.1 W, 0603	0603	CRCW0603499RFKEA	Vishay-Dale
S1	1		Switch, SPDT, On-On, 1 Pos, 0.4 VA, 20 V, TH	7.01x4.5 mm	GT11MCBE	C&K Components
SH1, SH2, SH3, SH4, SH5, SH6	6	1x2	Shunt, 100 mil, Gold plated, Black	Shunt	969102-0000-DA	3M
U1	1		50-W Stereo, 175-W peak PurePath Ultra-HD Pad Down Class-D Amplifier, DDW0044A	DDW0044A	TPA3250D2DDWR	Texas Instruments
U2	1		High Voltage 1 A Step Down Switching Regulator, 10-pin LLP, Pb-Free	SDC10A	LM5010ASD/NOPB	Texas Instruments

Table 4. Bill of Materials (continued)

Designator	Qty	Value	Description	Package Reference	Part Number	Manufacturer
U3	1		1 A Low Dropout Regulator, 4-pin SOT-223, Pb-Free	MP04A	LM2940IMP-12/NOPB	Texas Instruments
U4	1		FIXED LOW-DROPOUT VOLTAGE REGULATOR, DCY0003A	DCY0003A	TLV1117-33IDCY	Texas Instruments
U5, U6	2		Dual Low-Noise Operational Amplifier, 10 to 30 V, 0 to 70 degC, 8-pin SOIC (D0008A), Green (RoHS & no Sb/Br)	D0008A	NE5532ADR	Texas Instruments
U7	1		ULTRA-SMALL SUPPLY VOLTAGE SUPERVISORS, DCK0005A	DCK0005A	TPS3802K33DCKR	Texas Instruments
C73, C74, C75, C76	0	22 pF	CAP, CERM, 22 pF, 50 V, 5%, C0G/NP0, 0603	0603	GRM1885C1H220JA01D	MuRata
C77, C78, C79, C80	0	1 μ F	CAP, CERM, 1 μ F, 50 V, 10%, X7R, 1206	1206	GRM31MR71H105KA88L	MuRata
FID1, FID2, FID3, FID4, FID5, FID6	0		Fiducial mark. There is nothing to buy or mount.	Fiducial	N/A	N/A
J13	0		Header, 100mil, 2x1, Gold, TH	Sullins 100mil, 1x2, 230 mil above insulator	PBC02SAAN	Sullins Connector Solutions
R34, R58, R59, R60	0	0	RES, 0, 5%, 0.1 W, 0603	0603	CRCW06030000Z0EA	Vishay-Dale
R47, R49, R50, R51	0	10.0 k	RES, 10.0 k, 1%, 0.1 W, 0603	0603	CRCW060310K0FKEA	Vishay-Dale
R54, R55, R56, R57	0	3.3	RES, 3.3, 5%, 0.75 W, 2010	2010	CRCW20103R30JNEF	Vishay-Dale
TP1, TP2, TP3, TP4, TP5, TP6, TP7, TP8, TP9, TP10, TP11, TP12, TP13, TP14	0	Grey	Test Point, Multipurpose, Grey, TH	Grey Multipurpose Testpoint	5128	Keystone

4.4 TPA3250D2EVM Schematic

The schematic for TPA3250D2EVM is illustrated in Figure 6.

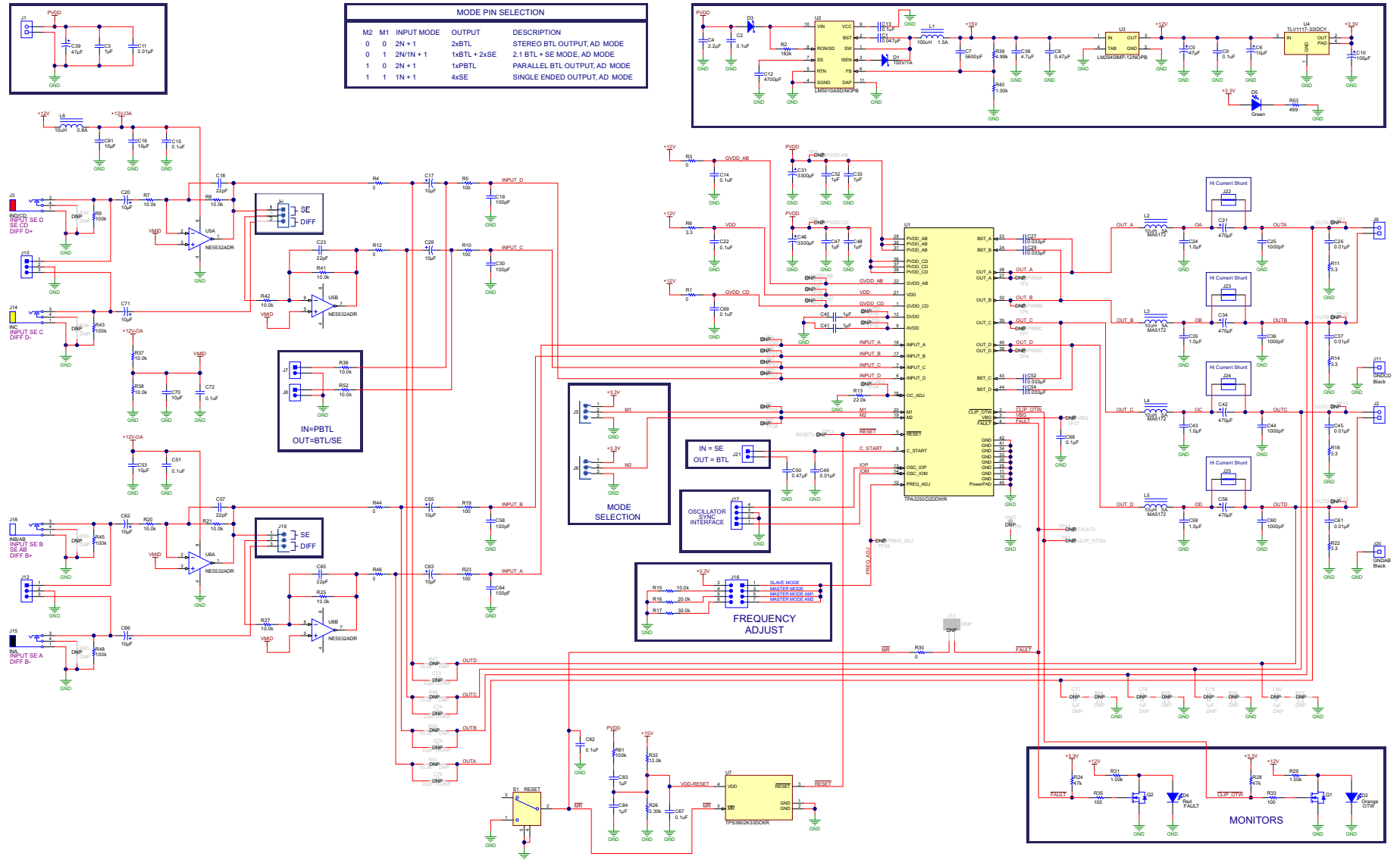


Figure 6. TPA3250D2EVM Schematic

IMPORTANT NOTICE

Texas Instruments Incorporated and its subsidiaries (TI) reserve the right to make corrections, enhancements, improvements and other changes to its semiconductor products and services per JESD46, latest issue, and to discontinue any product or service per JESD48, latest issue. Buyers should obtain the latest relevant information before placing orders and should verify that such information is current and complete. All semiconductor products (also referred to herein as "components") are sold subject to TI's terms and conditions of sale supplied at the time of order acknowledgment.

TI warrants performance of its components to the specifications applicable at the time of sale, in accordance with the warranty in TI's terms and conditions of sale of semiconductor products. Testing and other quality control techniques are used to the extent TI deems necessary to support this warranty. Except where mandated by applicable law, testing of all parameters of each component is not necessarily performed.

TI assumes no liability for applications assistance or the design of Buyers' products. Buyers are responsible for their products and applications using TI components. To minimize the risks associated with Buyers' products and applications, Buyers should provide adequate design and operating safeguards.

TI does not warrant or represent that any license, either express or implied, is granted under any patent right, copyright, mask work right, or other intellectual property right relating to any combination, machine, or process in which TI components or services are used. Information published by TI regarding third-party products or services does not constitute a license to use such products or services or a warranty or endorsement thereof. Use of such information may require a license from a third party under the patents or other intellectual property of the third party, or a license from TI under the patents or other intellectual property of TI.

Reproduction of significant portions of TI information in TI data books or data sheets is permissible only if reproduction is without alteration and is accompanied by all associated warranties, conditions, limitations, and notices. TI is not responsible or liable for such altered documentation. Information of third parties may be subject to additional restrictions.

Resale of TI components or services with statements different from or beyond the parameters stated by TI for that component or service voids all express and any implied warranties for the associated TI component or service and is an unfair and deceptive business practice. TI is not responsible or liable for any such statements.

Buyer acknowledges and agrees that it is solely responsible for compliance with all legal, regulatory and safety-related requirements concerning its products, and any use of TI components in its applications, notwithstanding any applications-related information or support that may be provided by TI. Buyer represents and agrees that it has all the necessary expertise to create and implement safeguards which anticipate dangerous consequences of failures, monitor failures and their consequences, lessen the likelihood of failures that might cause harm and take appropriate remedial actions. Buyer will fully indemnify TI and its representatives against any damages arising out of the use of any TI components in safety-critical applications.

In some cases, TI components may be promoted specifically to facilitate safety-related applications. With such components, TI's goal is to help enable customers to design and create their own end-product solutions that meet applicable functional safety standards and requirements. Nonetheless, such components are subject to these terms.

No TI components are authorized for use in FDA Class III (or similar life-critical medical equipment) unless authorized officers of the parties have executed a special agreement specifically governing such use.

Only those TI components which TI has specifically designated as military grade or "enhanced plastic" are designed and intended for use in military/aerospace applications or environments. Buyer acknowledges and agrees that any military or aerospace use of TI components which have **not** been so designated is solely at the Buyer's risk, and that Buyer is solely responsible for compliance with all legal and regulatory requirements in connection with such use.

TI has specifically designated certain components as meeting ISO/TS16949 requirements, mainly for automotive use. In any case of use of non-designated products, TI will not be responsible for any failure to meet ISO/TS16949.

Products

Audio	www.ti.com/audio
Amplifiers	amplifier.ti.com
Data Converters	dataconverter.ti.com
DLP® Products	www.dlp.com
DSP	dsp.ti.com
Clocks and Timers	www.ti.com/clocks
Interface	interface.ti.com
Logic	logic.ti.com
Power Mgmt	power.ti.com
Microcontrollers	microcontroller.ti.com
RFID	www.ti-rfid.com
OMAP Applications Processors	www.ti.com/omap
Wireless Connectivity	www.ti.com/wirelessconnectivity

Applications

Automotive and Transportation	www.ti.com/automotive
Communications and Telecom	www.ti.com/communications
Computers and Peripherals	www.ti.com/computers
Consumer Electronics	www.ti.com/consumer-apps
Energy and Lighting	www.ti.com/energy
Industrial	www.ti.com/industrial
Medical	www.ti.com/medical
Security	www.ti.com/security
Space, Avionics and Defense	www.ti.com/space-avionics-defense
Video and Imaging	www.ti.com/video

TI E2E Community

e2e.ti.com