

CUSTOMER PRINT

PART NUMBER: 6382-XSG-3XX(CCX)

- NOTES:**
 1. ALL PARTS TO BE BULK PACKED.
 2. CONTACTS ASSEMBLED INTO INSERT.
 3. ALL DIMENSIONS ARE REFERENCE ONLY EXCEPT WHEN NOTED WITH TOLERANCE.

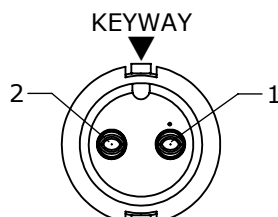
ASS'Y P/N	COUPLING RING COLOR
6382-XSG-3XXCC1	WHITE
6382-XSG-3XXCC2	RED
6382-XSG-3XXCC3	BLUE
6382-XSG-3XXCC4	LIGHT GREY
6382-XSG-3XXCC5	YELLOW
6382-XSG-3XXCC6	MAROON
6382-XSG-3XXCC7	GREEN

KIT P/N	GROMMET SIZE
6382-XSG-3DC	DAISY CHAIN
6382-XSG-311	CABLE O.D. .09-.14 [2.3-3.5mm]
6382-XSG-315	CABLE O.D. .15-.17 [3.8-4.3mm]
6382-XSG-318	CABLE O.D. .18-.20 [4.6-5.1mm]
6382-XSG-321	CABLE O.D. .21-.23 [5.3-5.8mm]

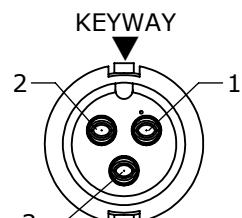
KIT P/N	NO. OF CONTACTS
6382-2SG-3XX	2 #16
6382-3SG-3XX	3 #16
6382-4SG-3XX	4 #16
6382-5SG-3XX	5 #16
6382-XSG-3XX	

GROMMET SIZE FOR SINGLE GROMMET OR "DC" FOR DAISY CHAIN

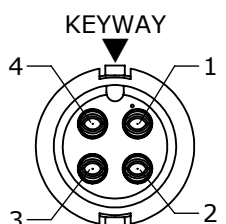
NO. OF CONTACTS



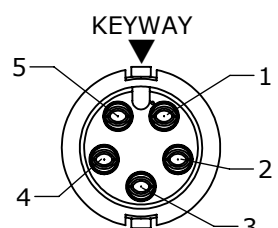
FACE VIEW
6382-2SG-3XX



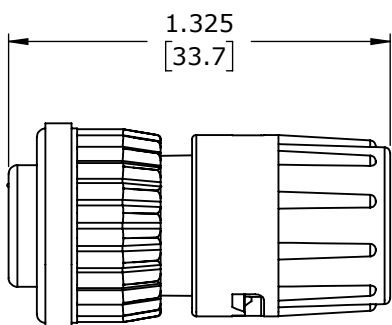
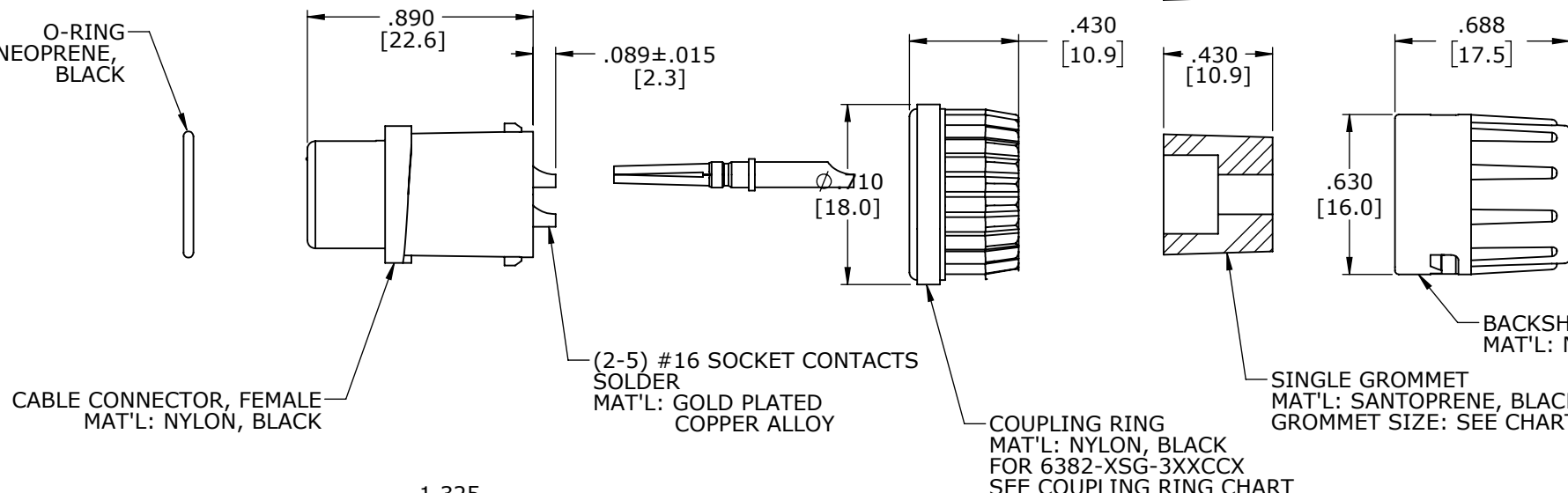
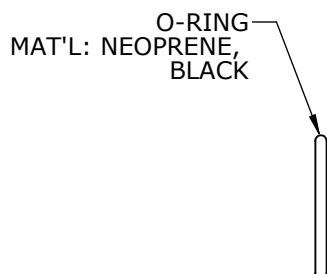
FACE VIEW
6382-3SG-3XX



FACE VIEW
6382-4SG-3XX



FACE VIEW
6382-5SG-3XX



ASSEMBLED VIEW
FOR CUSTOMER REFERENCE ONLY

DIMENSIONS IS BRACKETS [] ARE METRIC

CUSTOMER APPROVAL

THIS DOCUMENT CONTAINS CONFIDENTIAL INFORMATION PROPRIETARY TO CONXALL CORPORATION. ANY REPRODUCTION, DISCLOSURE, OR USE OF THIS DOCUMENT /INFORMATION IS EXPRESSLY PROHIBITED UNLESS AUTHORIZED IN WRITING BY CONXALL CORPORATION.

APPROVED BY: _____
 DATE: _____

REV. A	INIT. AN	DATE 10-19-20	DESCRIPTION DRAWING CREATED PER DOR 15-E253SL #34 SUPERSEDED 6382-4SG-3XX
ALL INFORMATION ILLUSTRATED IS THE PROPERTY OF "CONXALL CORPORATION". UNAUTHORIZED DUPLICATION OR DISTRIBUTION OF THIS DOCUMENT IS PROHIBITED.			<p>601 E. WILDWOOD VILLA PARK, IL 60181</p>
ALL UNITS ARE IN FEET, INCHES, FRACTION OF INCHES AND DECIMALS.			
ORG. DRAWN BY: AN DATE: 10-05-20 CHECKED BY:		TITLE: CABLE CONNECTOR KIT (2-5) #16 SOCKET CONTACTS MINI-CON-X STANDARD PRODUCT	
APPROVED BY:		CUSTOMER:	
SCALE: NTS	SIZE: B	SHEET: 1 OF 1	PART NUMBER: 6382-XSG-3XX(CCX)
FILE: 6382-XSG-3XX(CCX)	DIRECTORY: SLW	REV. A	

RoHS COMPLIANT