

HC-STA-B48-SHWSC-2SSP36-EMC-AL - Housing



1424872

<https://www.phoenixcontact.com/us/products/1424872>

Please be informed that the data shown in this PDF document is generated from our online catalog. Please find the complete data in the user documentation. Our general terms of use for downloads are valid.



Box mounting bases B48, with single locking latch, material: Die-cast aluminum, salt water resistant, protective cover material: PA, cable outlets: 2, lateral, 2x Pg36, height: 99 mm, cable gland: none, protective cover: yes, Standard

Your advantages

- Good shielding in the event of electromagnetic interference

Commercial data

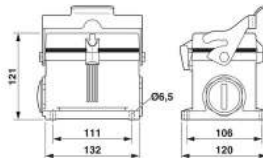
Item number	1424872
Packing unit	1 pc
Minimum order quantity	1 pc
Sales key	BF56
Product key	BF7APB
Catalog page	Page 645 (C-2-2019)
GTIN	4055626382753
Weight per piece (including packing)	1,186 g
Weight per piece (excluding packing)	1,010 g
Customs tariff number	85389099
Country of origin	CN

Technical data

Product properties

Type	B48
Product type	Housing with locking latch
Application	Standard
No. of cable outlets	2
Type of the screw connection	2x Pg36
Housing type	Box mounting bases
Protective cover	yes
Cable outlet	lateral
Pg screw connection	none

Dimensions

Dimensional drawing	
Width	120 mm
Height	99 mm
Length	132 mm
Hole diameter	6.5 mm

Material specifications

Flammability rating according to UL 94	V0 (Interlock)
	V0 (Protective cover)
Seal material	NBR, conductive
Housing surface material	uncoated
Material, protective cover	PA
Locking latch material	PA
Impact strength	IK08
Housing material	Die-cast aluminum, salt water resistant

Mechanical properties

Mechanical data

Type of the screw connection	2x Pg36
Locking type	Latch

Mounting

Assembly instructions	One opening is sealed with a plastic filler plug and can be opened using a screwdriver.
-----------------------	---

1424872

<https://www.phoenixcontact.com/us/products/1424872>

Environmental and real-life conditions

Ambient conditions

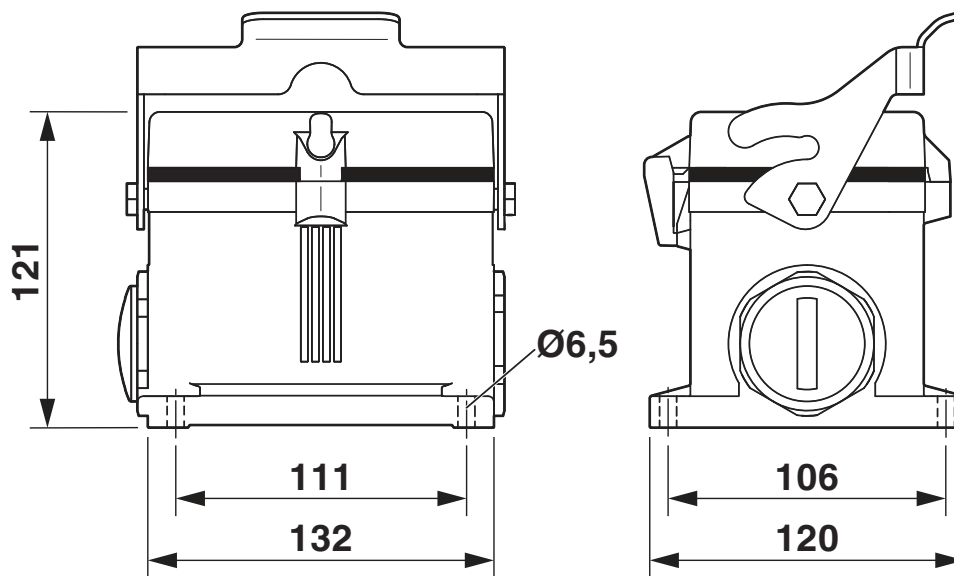
Degree of protection	IP66 (with locked protective cover)
	IP67 (when plugged in)
Degree of protection (NEMA)	4 (UL 50e)
	4X (UL 50e)
	12 (UL 50e)
Impact strength	IK08
Ambient temperature (operation)	-40 °C ... 125 °C

1424872

<https://www.phoenixcontact.com/us/products/1424872>

Drawings

Dimensional drawing



Dimensional drawing

1424872

<https://www.phoenixcontact.com/us/products/1424872>

Approvals

🔗 To download certificates, visit the product detail page: <https://www.phoenixcontact.com/us/products/1424872>

DNV

Approval ID: TAE000037S

ENEC

EAC

Approval ID: RU C-DE.BL08.B.00511

1424872

<https://www.phoenixcontact.com/us/products/1424872>

Classifications

ECLASS

ECLASS-11.0	27440202
ECLASS-12.0	27440202
ECLASS-13.0	27440202

ETIM

ETIM 8.0	EC000437
----------	----------

UNSPSC

UNSPSC 21.0	31261500
-------------	----------

1424872

<https://www.phoenixcontact.com/us/products/1424872>

Environmental product compliance

China RoHS	Environmentally friendly use period: unlimited = EFUP-e No hazardous substances above threshold values
------------	---

Phoenix Contact 2023 © - all rights reserved
<https://www.phoenixcontact.com>

Phoenix Contact USA
586 Fulling Mill Road
Middletown, PA 17057, United States
(+717) 944-1300
info@phoenixcon.com