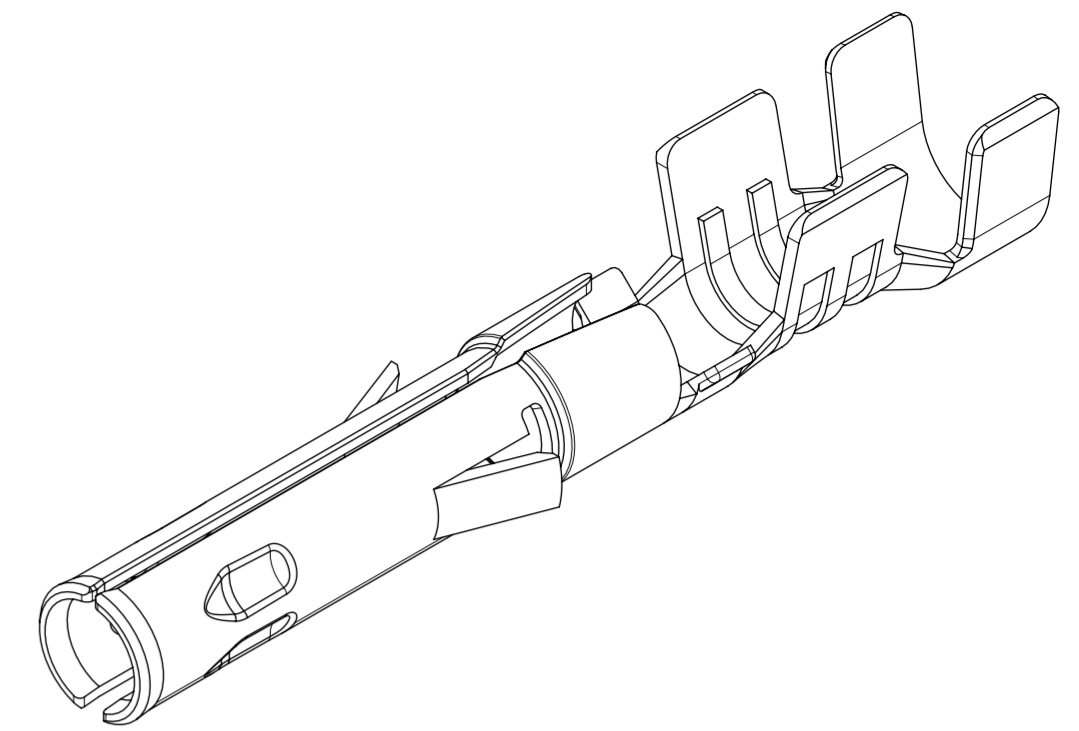
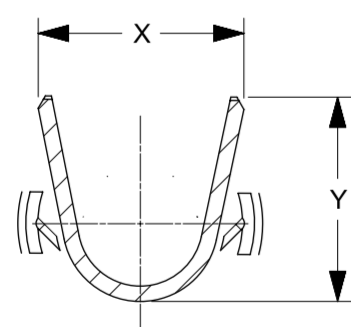
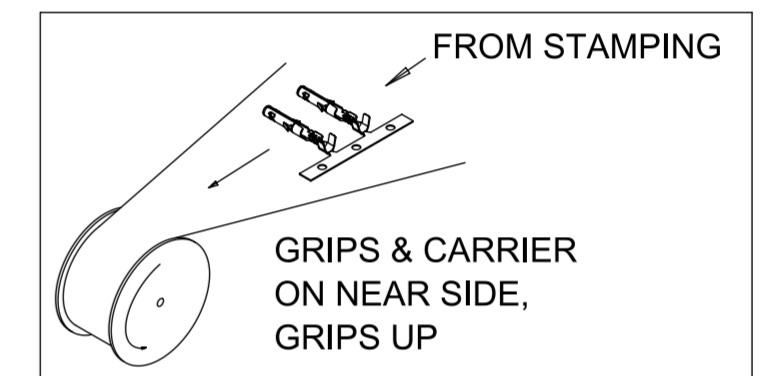
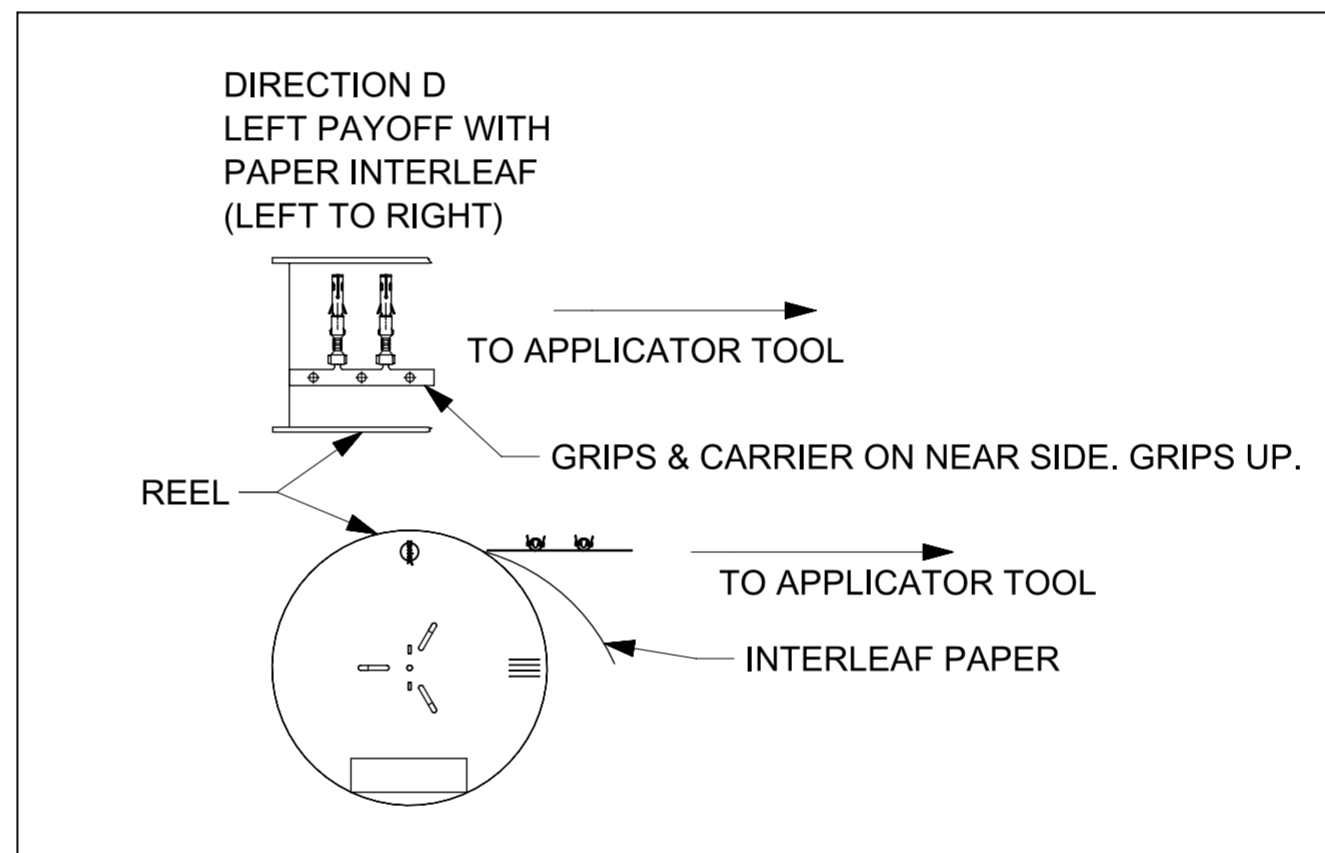


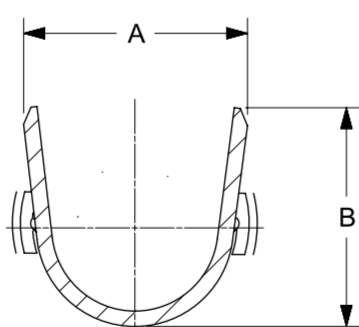
STRIP LAYOUT



REELING DIRECTIONS



SECTION C-C



SECTION D-D

SI. NO	PART NUMBER	WIRE RANGE	WIRE STYLE	DIM A	DIM B	DIM X	DIM Y
1	1501811016	16-18 AWG	16 AWG, UL1061	2.96	2.90	2.72	2.71
			18 AWG, UL1007	2.96	2.90	2.72	2.71
			18 AWG, UL1061	2.96	2.90	2.72	2.71
2	1501811020	20-22 AWG	20 AWG, UL1007	2.58	2.40	2.44	2.03
			20 AWG, UL1061	2.58	2.40	2.44	2.03
			22 AWG, UL1007	2.58	2.40	2.44	2.03
			22 AWG, UL1061	2.58	2.40	2.44	2.03

- NOTES:
1. MATERIAL: CARTRIDGE BRASS ALLOY.
 2. FINISH: PREPLATED OVERALL TIN ONLY- BRIGHT FINISH AND MIN THICKNESS 1.5µm.
 3. PRODUCT SPECIFICATION: 1501760001-PS.
 4. PACKAGING SPEC. REFER PK-150180-001.
 5. THIS PART CONFORMS TO CLASS B REQUIREMENTS OF COSMETIC SPEC PS-45499-002.
 6. TERMINAL TO BE USED WITH SERIES 150178 AND 150179.
 7. TERMINAL MATES WITH THE SERIES 150180.

FUNCTIONAL SYMBOLS FA = 0 FC = 0 FP = 0	DIMENSION UNITS	SCALE	CURRENT REV DESC: DESCRIPTION UPDATED			
		10:1	THIS DRAWING CONTAINS INFORMATION THAT IS PROPRIETARY TO MOLEX ELECTRONIC TECHNOLOGIES, LLC AND SHOULD NOT BE USED WITHOUT WRITTEN PERMISSION			
DIVISIONAL SYMBOLS	GENERAL TOLERANCES (UNLESS SPECIFIED)		<p>molex</p> <p>STANDARD .062"+ FEMALE CRIMP TERMINAL</p> <p>PRODUCT CUSTOMER DRAWING</p>			
	ANGULAR TOL	± 0.5°				
	4 PLACES	±	EC NO: 647195	2020/10/09		
	3 PLACES	±	DRWN: PRADEA	2020/10/19		
	2 PLACES	± 0.25	CHK'D: NCSR	2020/10/19		
	1 PLACE	± 0.35	APPR: NCSR	2020/10/19		
	0 PLACES	±	INITIAL REVISION:			
	DRAFT WHERE APPLICABLE MUST REMAIN WITHIN DIMENSIONS		DRWN: SS06	2015/05/28		
	THIRD ANGLE PROJECTION		APPR: KPRASAD	2015/06/04		
	DRAWING	SERIES	MATERIAL NUMBER	CUSTOMER	DOCUMENT NUMBER	DOC TYPE DOC PART REVISION
	A2-SIZE	150181	SEE CHART	GENERAL MARKET	SD-150181-0001	PSD 000 B1
						SHEET NUMBER
						1 OF 1

DOCUMENT STATUS	P1	RELEASE DATE	2020/10/19	14:19:14
-----------------	----	--------------	------------	----------