

4

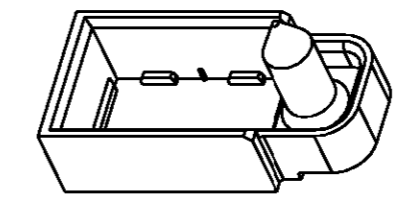
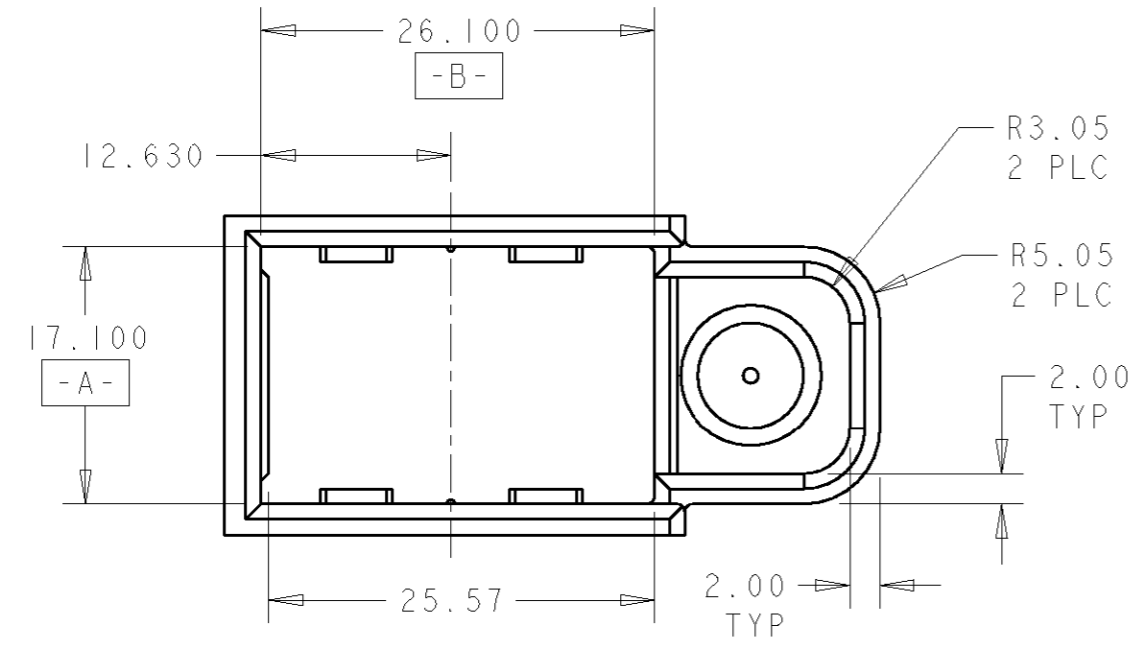
3

2

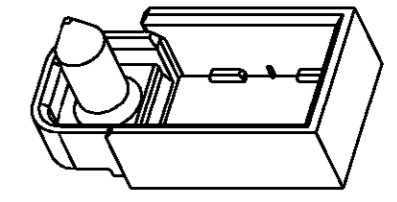
1

THIS DRAWING IS UNPUBLISHED. RELEASED FOR PUBLICATION 20  
 © COPYRIGHT 20 BY TYCO ELECTRONICS CORPORATION. ALL RIGHTS RESERVED.

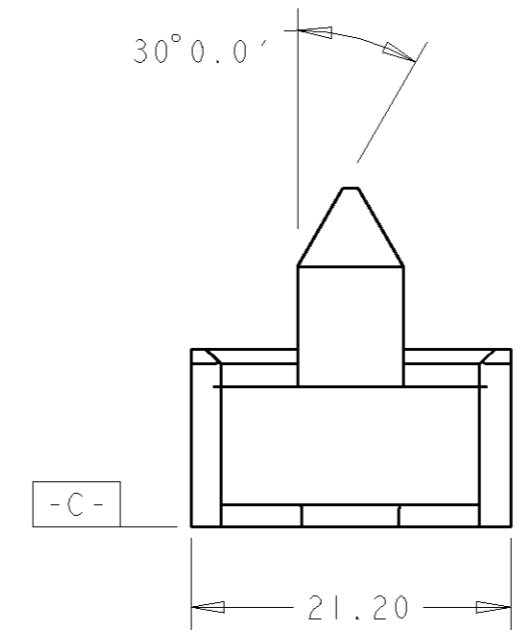
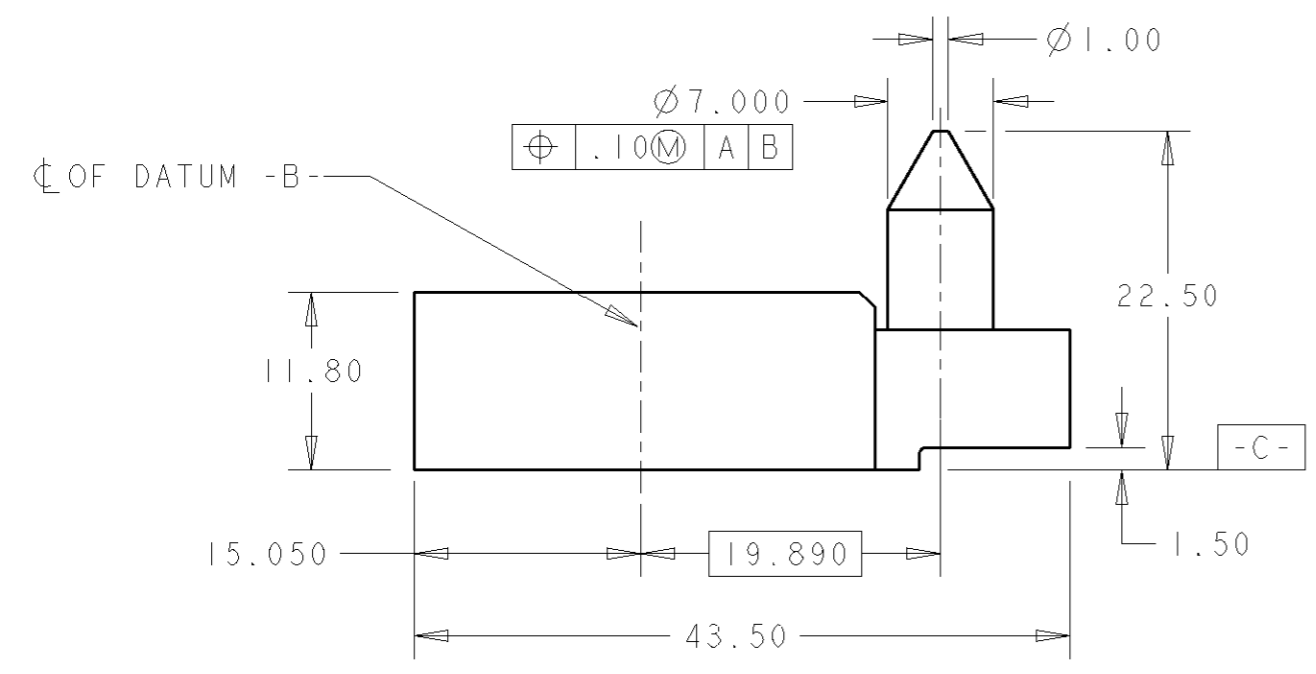
| LOC | DIST | REVISIONS   |                         |           |          |
|-----|------|-------------|-------------------------|-----------|----------|
| P   | LTR  | DESCRIPTION | DATE                    | DWN       | APVD     |
| AD  | 47   | B           | REV PER EC OUIB-0193-01 | 18JUL2001 | BC<br>RP |
|     |      |             |                         |           |          |
|     |      |             |                         |           |          |



SCALE 1:1



SCALE 1:1



THIS PRODUCT HAS NOT COMPLETED VALIDATION TESTING

NOTES:

- 1 MATERIAL: VALOX 420 SEO, COLOR: BLACK
- 2. SHROUD APPLIED TO PCB WITH 60 POSITION, 6 ROW VERTICAL HS3 HEADER

|   |  |   |   |   |            |
|---|--|---|---|---|------------|
| THIS DRAWING IS A CONTROLLED DOCUMENT FOR TYCO ELECTRONICS CORPORATION. IT IS SUBJECT TO CHANGE AND THE CONTROLLING ENGINEERING ORGANIZATION SHOULD BE CONTACTED FOR THE LATEST REVISION. |  | DWN<br>BRIAN COSTELLO<br>CHK<br>RA PATTERSON<br>APVD<br>- | LIAPR2001<br>23APR01  | Tyco Electronics<br>Harrisburg, PA 17105-3608 |            |
| DIMENSIONS:<br>mm   | TOLERANCES UNLESS OTHERWISE SPECIFIED: | PRODUCT SPEC  | NAME<br>GUIDE SHROUD FOR 60 POSITION, 6 ROW HS3 VERTICAL HEADER |   |            |
|   | 0 PLC ±-                               | APPLICATION SPEC  | SIZE  | CAGE CODE                                     | DRAWING NO |
|   | 1 PLC ±0.1                             |   | A3  | 00779   | C-120866   |
|   | 2 PLC ±0.05                            |   | RESTRICTED TO   |   |            |
|   | 3 PLC ±0.005                           |   |   |   |            |
|   | 4 PLC ±0.0001                          |   |   |   |            |
|   | ANGLES ±-                              |   |   |   |            |
| MATERIAL  | FINISH                                 | WEIGHT  | SCALE 2:1 SHEET 1 OF 1 REV B                                    |   |            |
|   | -                                      | -   | CUSTOMER DRAWING  |   |            |