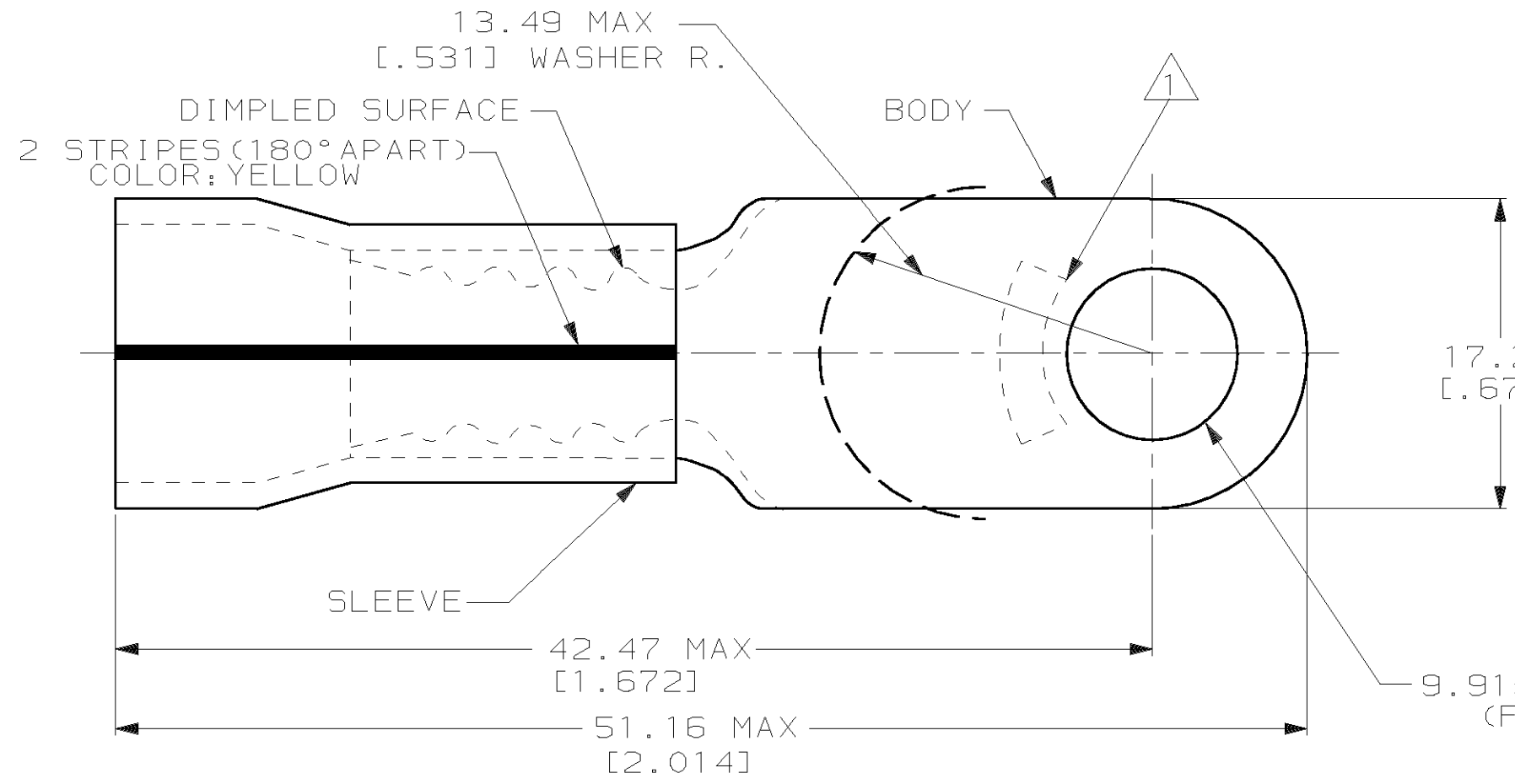


THIS DRAWING IS UNPUBLISHED. RELEASED FOR PUBLICATION, 19  
 © COPYRIGHT 19 BY AMP INCORPORATED. ALL INTERNATIONAL RIGHTS RESERVED.

LOC	DIST	P	F	REVISIONS			DATE	APPD
G	14			ZONE	LTR	DESCRIPTION		
					E	REV PER 0G3A-0363-01	10JUL01	JR/TM



**AMP**  
WIRE RANGE

---

4 AWG  
STRANDED

**METRIC**

DIMENSIONS LISTED IN mm [ INCHES ]

NOTE:  
 1. STAMP AMP 4\* LOCATE APPROX AS SHOWN  
 2. TONGUE MATERIAL THK 1.22±0.08 [.048±.003]  
 3. WIRE INSULATION DIA 13.08 [.515] MAX

9.91±0.13 [.390±.005] DIA  
(FOR 3/8 STUD)

<b>AMP INCORPORATED</b> <b>CUSTOMER SERVICE SYSTEMS</b>		MAX RECOMMENDED OPERATING TEMPERATURE:	100	LOOSE PC	53950-1
		150°c	QTY	PACKAGE TYPE	PART NO
FOR ADDITIONAL PRODUCT INFORMATION OR COPIES OF DRAWINGS AND TECHNICAL DOCUMENTS	PRODUCT INFORMATION CENTER 1-800-522-6752	VOLTAGE RATING:	<b>AMP</b> AMP Incorporated Harrisburg, PA 17105-3608		
FOR APPLICATION TOOLING INFORMATION	TOOLING ASSISTANCE CENTER 1-800-722-1111	600 V MAX			
FOR ORDER ENTRY	1-800-526-5142	CIRCULAR MIL AREA: 16.77-26.65mm <sup>2</sup> [33, 100-52, 600] STRANDED	TERMINAL, RING TONGUE, PVF <sup>2</sup> , PLASTI-GRIP, WIRE SIZE: 4 AWG		
THIS DRAWING IS A CONTROLLED DOCUMENT FOR AMP INCORPORATED. IT IS SUBJECT TO CHANGE AND THE CONTROLLING ENGINEERING ORGANIZATION SHOULD BE CONTACTED FOR THE LATEST REVISION.		MATERIAL COPPER PER ASTM B-152 PVF <sup>2</sup> , COLOR: NATURAL			
		FINISH TIN/LEAD (93-7) PLATE PER ASTM B545	DR 10-6-93 S.S. GOULDEN	NAME AMP Incorporated Harrisburg, PA 17105-3608	
			CHK 10-6-93 R. HERSEY		
			APPD 10-6-93 B. BARE	SIZE	CAGE CODE
			APPD 10-6-93 M. ELLIS	B	00779
			PRODUCT SPEC NOT AVAILABLE	DRAWING NO	C-53950
			APPLICATION SPEC NOT AVAILABLE	SCALE	NTS
			WEIGHT -	SHEET	1 OF 1