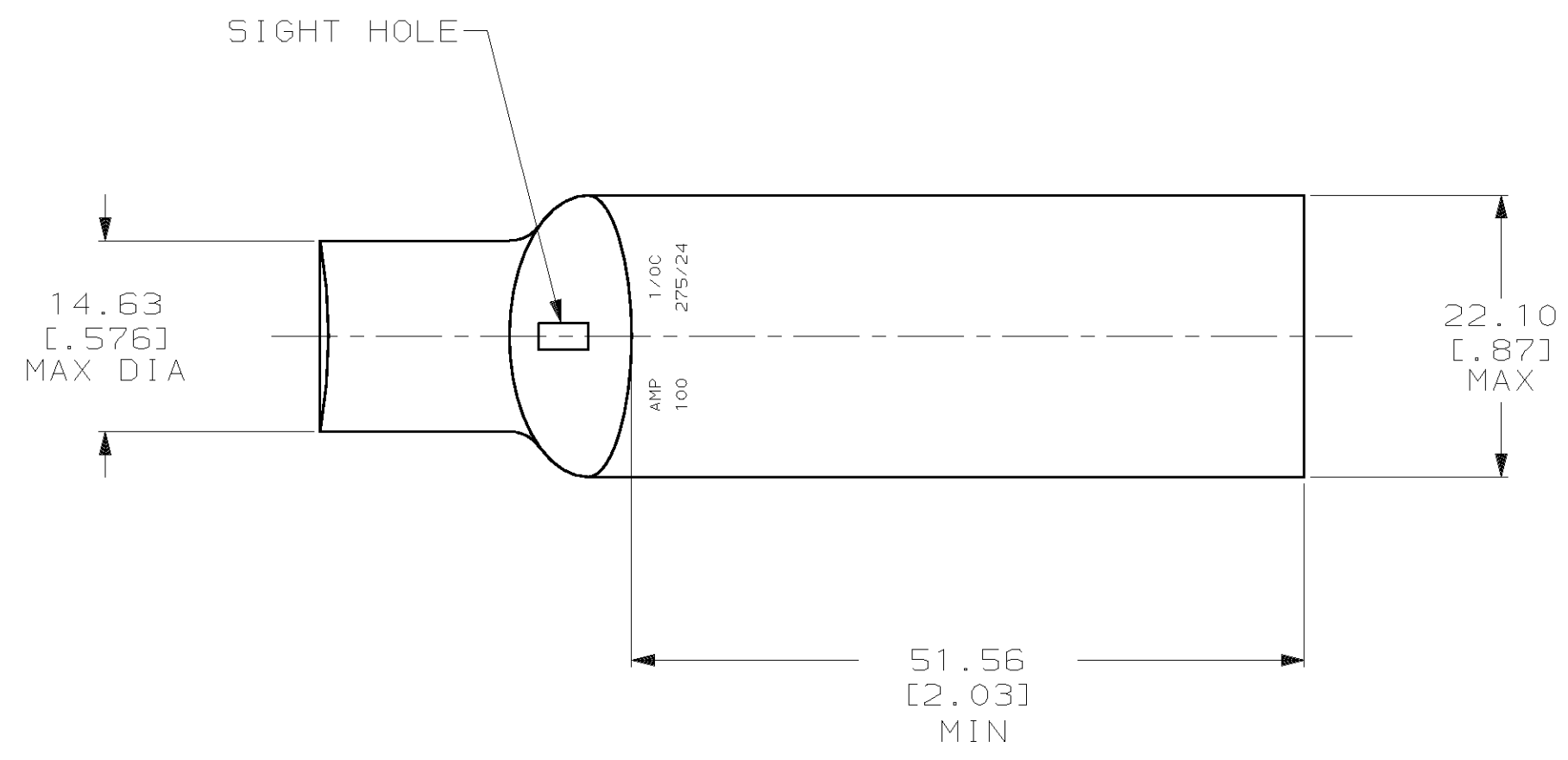
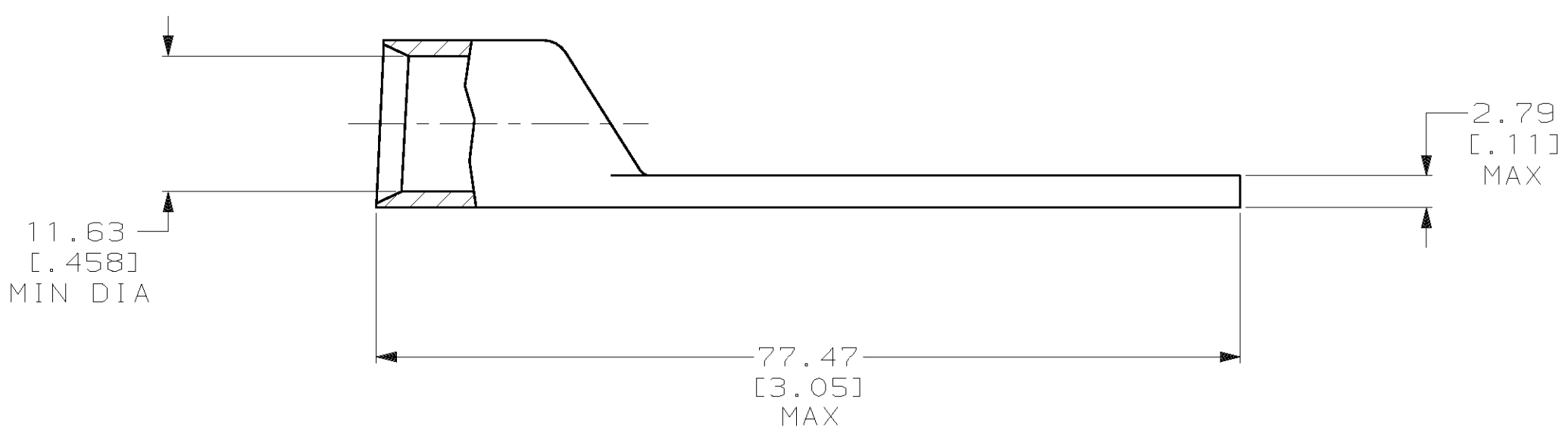


THIS DRAWING IS UNPUBLISHED. RELEASED FOR PUBLICATION
 © COPYRIGHT 19 BY AMP INCORPORATED. ALL INTERNATIONAL RIGHTS RESERVED.

LOC		DIST		ZONE		LTR		REVISIONS		DATE	APPD
G	86	P	F			Y		REV PER 063A-0561-01	07OCT02	JR/MS	



- 1 CIRCULAR MIL RANGE: 83,700-119,500 CM
- 2 TIN PL 0.00381 [.000150] MIN THK PER MIL-T-10727



325308

B

A

325308
PART NO

DO NOT SCALE PRINT. UNLESS SPECIFIED DIMENSIONS IN mm [INCHES] TOLERANCES ON : 2 PLC DEC ± 0.51 [.020] 3 PLC DEC ± - ANGLES ± -		DR 03/09/90 DK SCHRUM		AMP INCORPORATED Harrisburg, Pa. 17105	
MATERIAL ANNEALED COPPER ASTM B-75		CHK 31AUG94 MS FEHER			
FINISH 2		APPD 31AUG94 WJ VOCKROTH		NAME TERMINAL, AMPOWER WIRE SIZE: 1/0 AWG	
APPLICATION SPEC -		APPD 31AUG94 TL SHUTTER		DRAWING NO 325308	
WEIGHT .067 LB		PRODUCT SPEC -		SIZE C	
		APPLICATION SPEC -		CAGE CODE 00779	
				SCALE 2:1	
				SHEET 1 OF 1	

