

## C4036NL

RF SPLITTER, 2-WAY  
5-1000 MHz  
0-DEG  
IMPEDANCE = 75 OHMS  
SURFACE MOUNT

### ELECTRICAL SPECIFICATIONS: @ 25°C

#### INSERTION LOSS:

| FREQUENCY    |             |
|--------------|-------------|
| 5-40 MHz     | -4.0 dB MAX |
| 41-500 MHz   | -3.7 dB MAX |
| 501-1000 MHz | -4.0 dB MAX |

#### INPUT RETURN LOSS:

| FREQUENCY  |              |
|------------|--------------|
| 5-1000 MHz | -16.0 dB MIN |

#### OUTPUT RETURN LOSS:

| FREQUENCY  |              |
|------------|--------------|
| 5-1000 MHz | -16.0 dB MIN |

#### ISOLATION: (SAMPLE ONLY)

| FREQUENCY    |            |
|--------------|------------|
| 5-400 MHz    | -19 dB MIN |
| 401-500 MHz  | -16 dB MIN |
| 501-1000 MHz | -10 dB MIN |

#### AMPLITUDE BALANCE: (SAMPLE ONLY)

| FREQUENCY    |             |
|--------------|-------------|
| 5-40 MHz     | -0.6 dB MAX |
| 41-400 MHz   | -0.4 dB MAX |
| 401-1000 MHz | -0.6 dB MAX |

#### PHASE IMBALANCE: (SAMPLE ONLY)

| FREQUENCY    |        |
|--------------|--------|
| 5-500 MHz    | 3° MAX |
| 501-1000 MHz | 5° MAX |

#### NOTES: UNLESS OTHERWISE SPECIFIED

1. OPERATING TEMPERATURE: 0°C TO +70°C
2. STORAGE TEMPERATURE: -20°C TO +125°C
3. JEDEC MOISTURE: LEVEL 1.
4. DIMENSIONS ARE IN INCHES WITH THE FOLLOWING TOLERANCE:  
.XX= ±.02  
.XXX= ±.010
5. OPTIONAL TAPE & REEL PACKAGING CAN BE ORDERED BY ADDING A "T" SUFFIX TO THE PART NUMBER. ie: C4036NLT
6. REVISION LEVEL M10,M11...MX IS FOR A RELEASED PRODUCTS.
7. ROHS COMPLIANT



© Copyright, 2013. Pulse Electronics Corp. All rights reserved. Drawing specifications subject to change without notice. (05/27/13)

PULSE CONFIDENTIAL  
&  
PROPRIETARY

PRODUCT SPECIFICATION:

SPLTR, 2-WAY, 0-DEG, SPLTR; 5-1000MHz, UNTERM

DWG. NO./ PART NO.

C4036NL

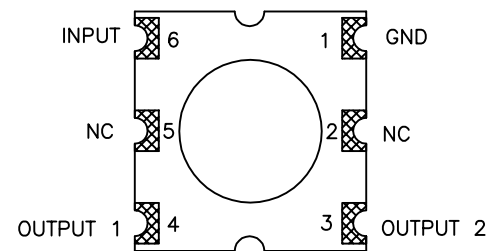
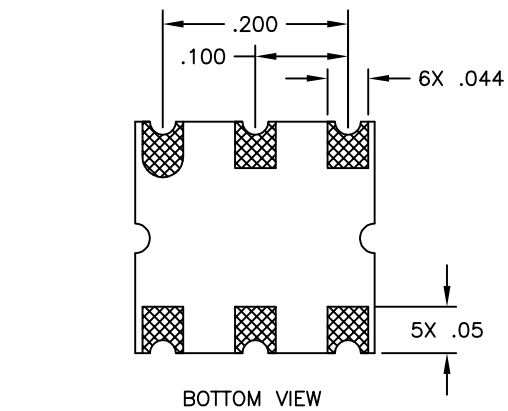
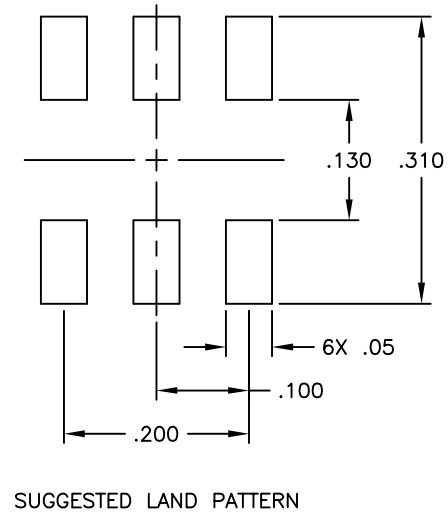
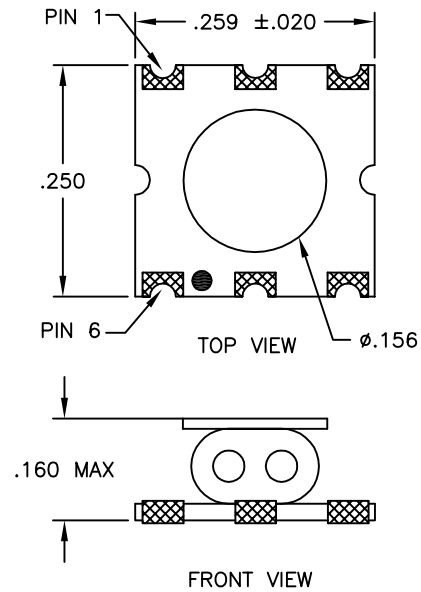
SHEET:

1

REV.

M13

MECHANICAL SPECIFICATIONS:



© Copyright, 2013. Pulse Electronics Corp. All rights reserved. Drawing specifications subject to change without notice. (05/27/13)

PULSE CONFIDENTIAL  
&  
PROPRIETARY

PRODUCT SPECIFICATION:  
SPLTR, 2-WAY, 0-DEG, SPLTR; 5-1000MHz, UNTERM

| DWG. NO./ PART NO. | SHEET: | REV. |
|--------------------|--------|------|
| C4036NL            | 2      | M13  |