

SPECIFICATION
MATERIAL: LCP Black
Insulator: LCP Black
Contacts: BRASS
Shell: Steel
CONTACT PLATING
 Underplate: 80u"~160u" Nickel
 Contact area: 30u"Pd~Ni+2u" Selective gold,
 Solder tails area: 100u"~200u" Tin (Lead Free)
ELECTRICAL
 Operation voltage: 5 V
 Current rating: 3 Amps max.
 Insulation resistance: 100 Mohms min @ 100 VDC
 Dielectric withstanding voltage: 100 VAC / min
 Temperature range: -25°C TO +105°C
 Mating cycles: 10,000 insertions
PACKING STYLE:
 AUSB1-DFN-PTP1:TRAY
 AUSB1-DFN-PTR1:Top&Reel(Standard)-800Pcs

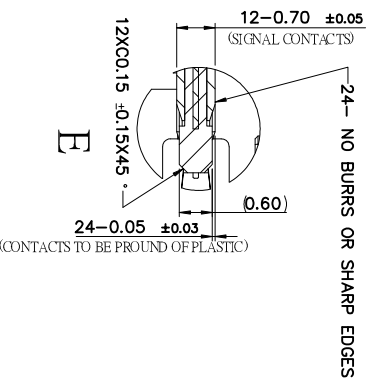
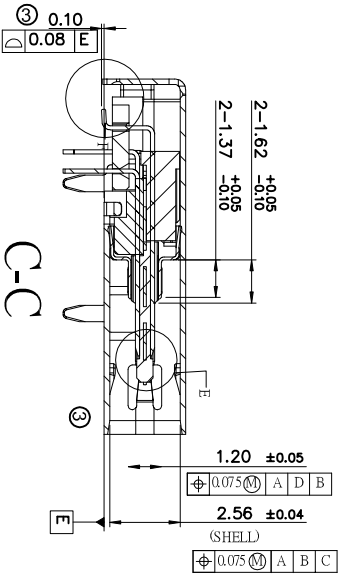
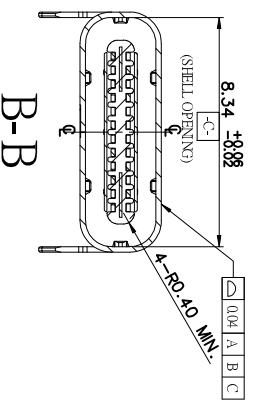
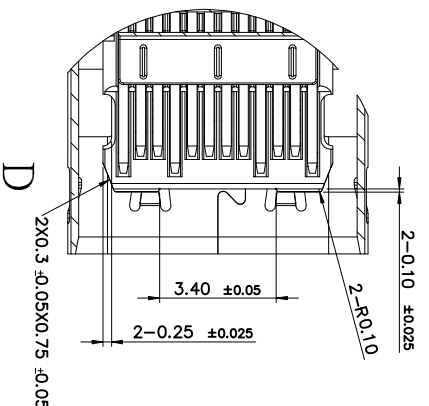
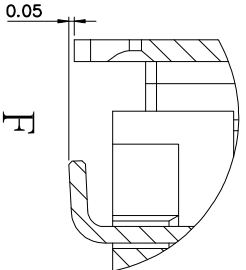
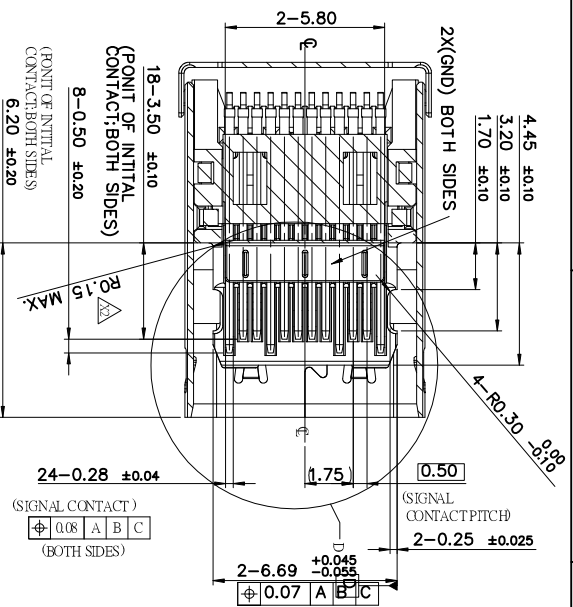
RoHS compliant
 Unit: mm

Scale	Free	Customer-No.	
TOLERANCE		ASSMANN WSW-No.	AUSB1-DFN-PTP1
X.	±0.30		AUSB1-DFN-PTR1
X.X	±0.20		
X.XX	±0.10		
DIM	TOL	Drawing-No.	ASS 6658 CO
X.°	±2°		rev03
Angle	TOL	Replace	Sheet 1/3

Free	Id.	Modification	Date	Name
③	①	Add the dimension the PCB Layout	27.04.2015	Winnie
③	②	Update the material for the insulator	04.02.2015	Winnie
③	①	Add the P/N:AUSB1-DFN-PTR1	26.01.2015	Winnie
③	①	Drawn	24.11.2014	Winnie

Free	Date	Name
Drawn	24.11.2014	Winnie
Approved	27.04.2015	Winnie





RoHS compliant
Unit: mm

Scale	Free		
TOLERANCE			
X.	±0.30		
X.X	±0.20		
X.XX	±0.10		
DIM	TOL		
X.°	±2°		
Angle	TOL		

Id.	Modification	Date	Name
①	Add the P/N: AUSB1-DFN-PTP1	26.01.2015	Winnie
②	Update the material for the insulator	04.02.2015	Winnie
③	Add the dimension the PCB layout	27.04.2015	Winnie
④	Drawn	24.11.2014	Winnie

ASSMANN
components

Customer-No.	Date	Name
ASSMANN WSW-No.	24.11.2014	Winnie
AUSB1-DFN-PTP1	27.04.2015	Winnie
AUSB1-DFN-PTP1		

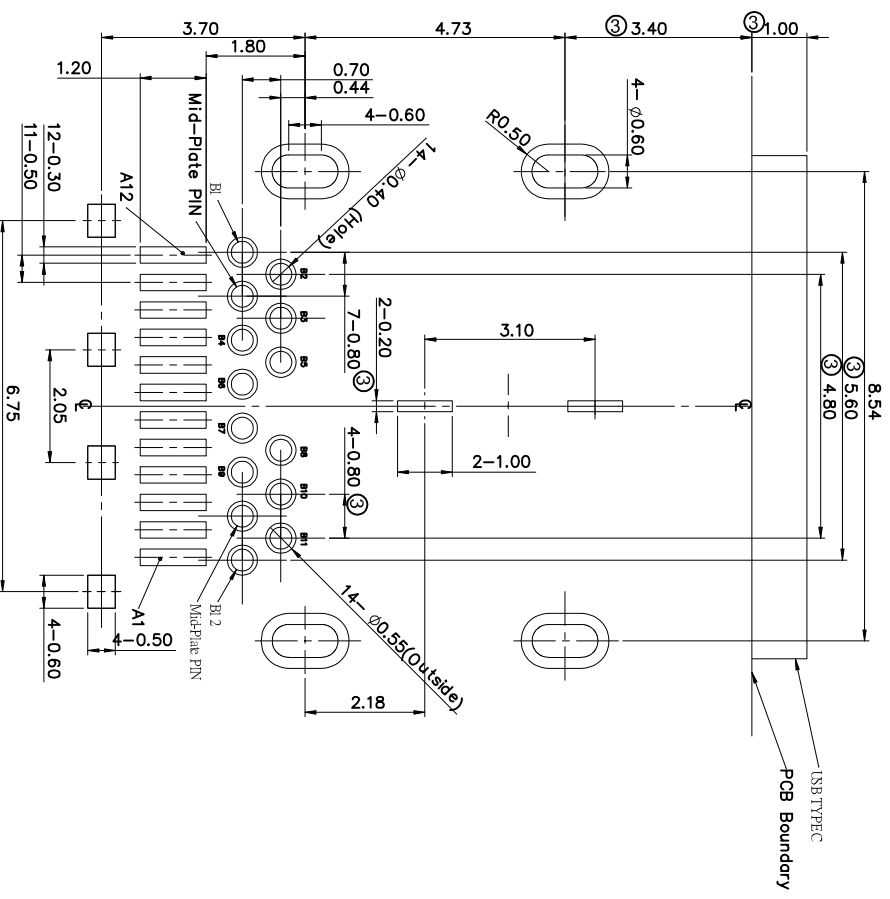
ASSMANN WSW-No.
AUSB1-DFN-PTP1
AUSB1-DFN-PTP1

ASS 6658 CO rev03

Replace Sheet 2/3

1	2	3	4	5	6	7
H	G	F	E	D	C	B
1	2	3	4	5	6	7
H	G	F	E	D	C	B
1	2	3	4	5	6	7
H	G	F	E	D	C	B

1	2	3	4	5	6	7
A	B	C	D	E	F	G



USB TYPE - C Pin Assignments

Pin Number	Signal Name	Pin Number	Signal Name
A1	GND	B12	GND
A2	SSTXp1	B11	SSRXp1
A3	SSTXn1	B10	SSRXn1
A4	VBUS	B9	VBUS
A5	CC1	B8	SBU2
A6	Dp1B	7D	n2
A7	Dn1B	6D	p2
A8	SBU1	B5	CC2
A9	VBUS	B4	VBUS
A10	SSRXn2	B3	SSTXn2
A11	SSRXp2	B2	SSTXp2
A12	GND	B1	GND

RoHS compliant

Unit: mm

Scale	Free	Customer-No.	
TOLERANCE			
X.	±0.30	Date	Name
X.X	±0.20	Drawn	24.11.2014 Winnie
X.XX	±0.10	Approved	27.04.2015 Winnie
DIM	TOL	ASSMANN WSW-No. ASSMANN WSW-No. AUSB1-DFN-PTP1 AUSB1-DFN-PTR1	
X.°	±2°	Drawing-No. ASS 6658 CO	
Angle	TOL	Replace Sheet 3/3	
Id.	Modification	rev03	
		Date 24.11.2014 Winnie	

