

Analog Set Multifunction Timers

H3DE Series



To view data sheets, click on any link below:

[H3DE](#) - Standard Timer

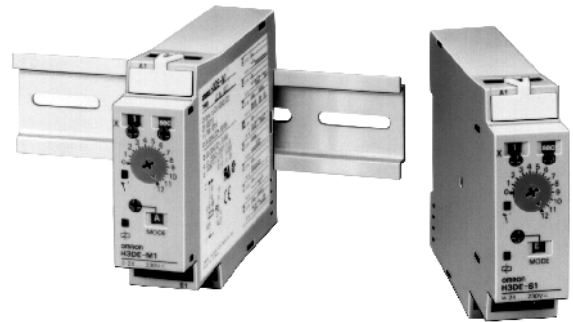
[H3DE-G](#) - Star-Delta Timer

[H3DE-F](#) - Twin Timer

[H3DE-H](#) - Power OFF- Delay Timer

Analog Set Multifunction Timers
In Slim 22.5 mm Design
For Track Mounting

- Wide AC/DC power supply range (24 to 230 VAC/DC) minimizes inventory
- 12 VDC available in H3DE-M model
- Programmable contacts (available in -M2 and -S2 models) can enable and disable a self-holding relay circuit
- Eight operating modes in the H3DE-M (four in the H3DE-S) offer wide application flexibility
- Time setting range 0.10 sec to 120 hrs
- Finger protection terminal block



Ordering Information

TIMER

Description		Part number	
Contact output	Supply voltage	Multifunctional	Standard
DPDT (time-limit output SPDT); and switchable SPDT (time-limit ↔ instantaneous)	12 VDC	H3DE-M2 DC12	—
	24 to 230 VAC/DC	H3DE-M2 AC/DC24-230	H3DE-S2 AC/DC24-230
SPDT (time-limit output SPDT)		H3DE-M1 AC/DC24-230	H3DE-S1 AC/DC24-230

MODEL NUMBER LEGEND

H3DE-□-□-□ 1. M: Multifunction type 2. 1: SPDT 3. Supply voltage
 1 2 3 S: Standard type 2: DPDT

ACCESSORIES (ORDER SEPARATELY)

Item	Description	Part number
Mounting track	50 cm (l) x 7.3 mm (t)	PFP-50N
	1 m (l) x 7.3 mm (t)	PFP-100N
	1 m (l) x 16 mm (t)	PFP-100N2
End plate		PFP-M
Spacer		PFP-S

Specifications

■ GENERAL

Item	H3DE-M2	H3DE-M1	H3DE-S2	H3DE-S1
Operating mode	A: ON-delay (Signal or Power) B: Repeat-cycle OFF start (Signal or Power) B2: Repeat-cycle ON start (Signal or Power) C: Signal ON-/OFF-delay D: Signal OFF-delay E: Interval (Signal or Power) G: Signal ON-/OFF-delay J: One-shot (Signal or Power)		A: ON-delay B2: Repeat-cycle ON start E: Interval J: One-shot	
Terminal block	Clamps two 2.5 mm ² max. bar terminals without sleeves.			
Terminal screw tightening torque	0.98 N • m max. {approx. 10 kgf • cm max.}			
Input type	Voltage input		---	
Output type	Relay: DPDT	Relay: SPDT	Relay: DPDT	Relay: SPDT
Mounting method	DIN track mounting (See Note.)			
Attachment	Nameplate			
Approved standards	UL508, CSA 22.2 No.14 Conforms to EN61812-1, IEC60664-1 (VDE0110) 4 kV/2, VDE0106/P100 Output category according to IEC60947-5-1 (AC-13; 250 V 5A/AC-15; 250 V 3 A/DC-13; 30 V 0.1 A)			

Note: Can be mounted to 35-mm DIN track with a plate thickness of 1 to 2.5 mm.

■ TIME RANGES

Time scale display	Time unit display			
	seconds	min	hrs	10 h
x 0.1	0.1 to 1.2 s	0.1 to 1.2 min	0.1 to 1.2 h	1 to 12 h
x 1	1 to 12 s	1 to 12 min	1 to 12 h	10 to 120 h

Note: When the main dial is set to "0" for all settings, the output will operate instantaneously.

■ RATINGS

Rated supply voltage (See Notes 1 and 2.)		24 to 230 VAC/DC (50/60 Hz) 12 VDC (H3DE-M2 model only)
Operating voltage range		85% to 110% of rated supply voltage
Power reset		Minimum power-off time: 0.1 s
Reset voltage		2.4 VAC/DC max.
Power consumption (See Note 3.)	H3DE-M1	AC: approx. 4.3 VA (2.2 W) at 230 VAC DC: approx. 0.7 W at 24 VDC
	H3DE-M2	AC: approx. 4.8 VA (2.4 W) at 230 VAC DC: approx. 1.0 W at 24 VDC
	H3DE-S1	AC: approx. 2.7 VA (1.6 W) at 230 VAC DC: approx. 0.7 W at 24 VDC
	H3DE-S2	AC: approx. 3.2 VA (1.9 W) at 230 VAC DC: approx. 1.0 W at 24 VDC
Voltage input		Max. permissible capacitance between input lines (terminals B1 and A2) : 2000 pF Load connectable in parallel with inputs (terminals B1 and A2) H-level: 20.4 to 253 VAC/DC L-level: 0 to 2.4 VAC/DC
Control output		Contact output: 5 A at 250 VAC with resistive load (cosφ = 1); 5 A at 30 VDC with resistive load (cosφ = 1)
Ambient temperature		Operating: -10°C to 55°C (14 to 131°F) with no icing Storage: -25°C to 65°C (-13°F to 149°F) with no icing
Ambient humidity		Operating: 35% to 85%

Note: 1. DC ripple rate: 20% max.

- Since an inrush current of 0.25 A will occur when using the power supply voltage at 24 VDC, pay careful attention when turning on or off the power supply to the Timer with a solid-state output such as a sensor.
- The power consumption is for mode A (ON-delay) after the Timer counts the time-up time and for the AC input at 50 Hz. The power consumption of the H3DE-M□ includes the input circuit with the B1 and A1 terminals short-circuited.

■ CHARACTERISTICS

Accuracy of operating time	±1% max. of FS (±1% ±10 ms max. at 1.2-s range) (See Note 1.)
Setting error	±10% ±50 ms max. of FS (See Note 1.)
Signal input time	50 ms min. (See Note 1.)
Voltage influence	±0.5% max. of FS (±0.5% ±10 ms max. at 1.2-s range)
Temperature influence	±2% max. of FS (±2% ±10 ms max. at 1.2-s range)
Insulation resistance	100 MΩ min. at 500 VDC
Dielectric strength	Between current-carrying metal parts and exposed non-current-carrying metal parts: 2,000 VAC for 1 min. Between control output terminals and operating circuit: 2,000 VAC for 1 min. Between contacts of different polarities: 2,000 VAC for 1 min. Between contacts not located next to each other: 1,000 VAC for 1 min.
Vibration resistance	Malfunction: 0.5-mm single amplitude at 10 to 55 Hz Destruction: 0.75-mm single amplitude at 10 to 55 Hz
Shock resistance	Malfunction: 100 m/s ² (approximately 10G) Destruction: 1,000 m/s ² (approximately 100G)
Contact material	AgNi+gold plating (Use the G6RN-1 at 12 VDC.)
Impulse withstand voltage	3 kV (between power terminals) 4.5 kV (between current-carrying metal parts and exposed non-current-carrying metal parts)
Noise immunity	Square-wave noise generated by noise simulator (pulse width: 100 ns/1 μs, 1-ns rise) ±1.5 kV
Static immunity	Malfunction: 4 kV Destruction: 8 kV
Life expectancy	Mechanical: 10 million operations min. (under no load at 1,800 operations/h) Electrical: 100,000 operations min. (5 A at 250 VAC, resistive load at 360 operations/h) (See Note 2.)
EMC	<u>EMI</u> Emission Enclosure: EN55011 Group 1 class A Emission AC Mains: EN55011 Group 1 class A Harmonic Current: EN61000-3-2 Voltage Fluctuation and Flickering EN61000-3-3 <u>EMS</u> Immunity ESD: EN61000-4-2: 6 kV contact discharge (level 3); 8 kV air discharge (level 3) Immunity RF-interference from AM Radio Waves: EN61000-4-3: 10 V/m (80 MHz to 1 GHz) (level 3) Immunity Burst: EN61000-4-4: 2 kV power port and output port (level 3); 1 kV control port with capacitive clamp (level 3) Immunity Surge: EN61000-4-5: 2 kV common mode (level 3); 1 kV differential mode (level 3)
Enclosure rating	IP30 (Terminal block: IP20)
Weight	120 g

Note: 1. With the H3DE-M□, if the voltage exceeds 26.4 VAC/DC, the following hold at signal OFF for C, D, and G modes:

Accuracy of operating time: ±1% ±50 ms max. at 1.2-s range

Setting error: ±10% +100/-50 ms max.

Signal input time: 100 ms min.

2. For reference : A maximum current of 0.15 A can be switched at 125 VDC (cosφ=1).

A maximum current of 0.1 A can be switched if L/R is 7 ms.

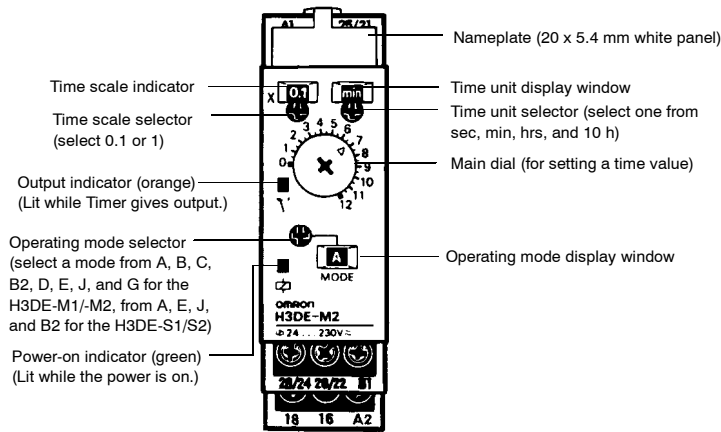
In both cases, a life of 100,000 operations can be expected.

The minimum applicable load is 10 mA at 5 VDC (failure level: P).

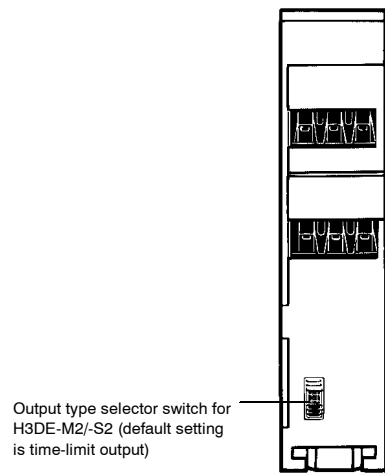
Nomenclature

■ H3DE-F

Front View



Bottom View



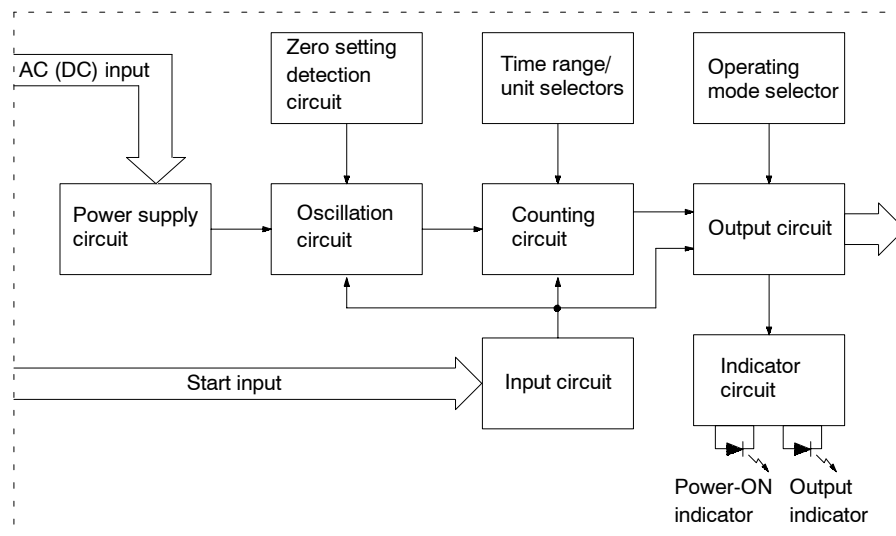
Output Type Selector Switch Settings

Setting	Output type
	Time-limit output (terminal numbers 25, 26 and 28) (default setting)
	Instantaneous output (terminal numbers 21, 22 and 24)

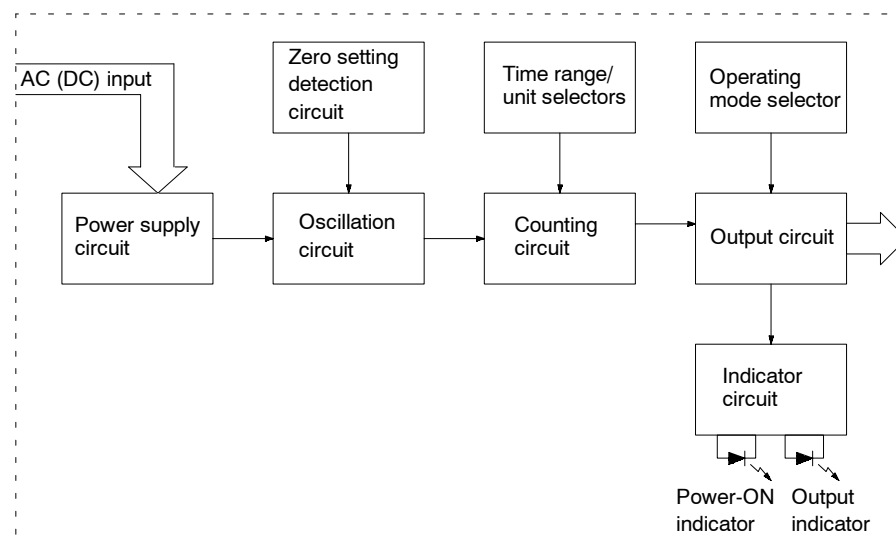
Operation

■ BLOCK DIAGRAM

H3DE-M1/-M2



H3DE-S1/-S2



■ I/O FUNCTIONS

Item		H3DE-M1/-M2	H3DE-S1/-S2
Input	Start	Starts operation.	No input is available.
Output	Control output	Outputs are turned ON according to designated output mode when preset value is reached. (See Note.)	

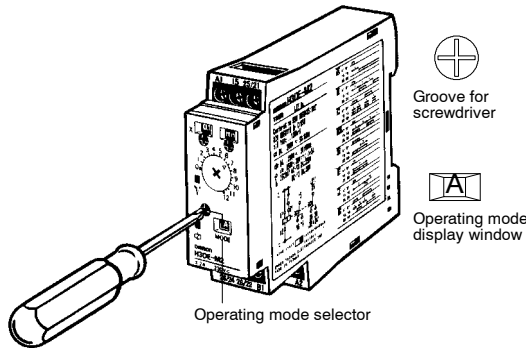
Note: When the output type selector switch on the bottom of the Timer is set to the instantaneous side, the relay R2 (terminal numbers 21/25, 22/26, and 24/28) becomes an instantaneous contact and turns ON/OFF in synchronization with the changes in the power supply.

■ BASIC OPERATION

Selector Setting

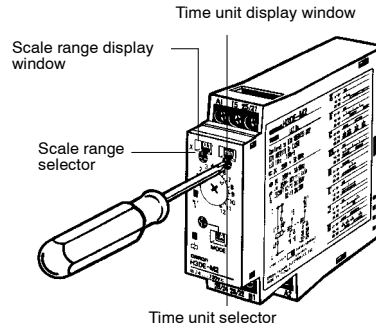
The selectors can be turned clockwise and counterclockwise to select the desired time unit, time scale, or operating mode.

Each selector has a snap mechanism that secures the selector at a given position. Set the selector at a position at which it is secured. Do not set it midway between two securing positions or a malfunction could result from improper setting.



Time Unit and Time Scale Selection

The desired time unit (sec, min, hrs, or 10h) can be displayed in the time unit display window above the time setting dial by turning the time unit selector located at the upper right corner of the front panel. The time scale (0.1 or 1) is selected with the time scale selector at the upper left corner of the front panel. It appears in the scale range display window above the selector.



Operating Mode Selection

The H3DE-M/-S can be set to any one of the operating modes A to J. Turn the operating mode selector with a screwdriver until the desired operating mode (A, B, B2, C, D, E, G, or J for the H3DE-M and A, B2, E, or J for the H3DE-S) appears in the operating mode display window located below the selector.

■ TIMING CHART

- Note: 1. The minimum power reset time is 0.1 s and the minimum signal input time is 0.05 s.
 2. The letter "t" in the timing charts stands for the set time and "t-a" means that the period is less than the time set.

Operating mode	Timing chart
A: ON-delay	

(This table continues on the next page.)

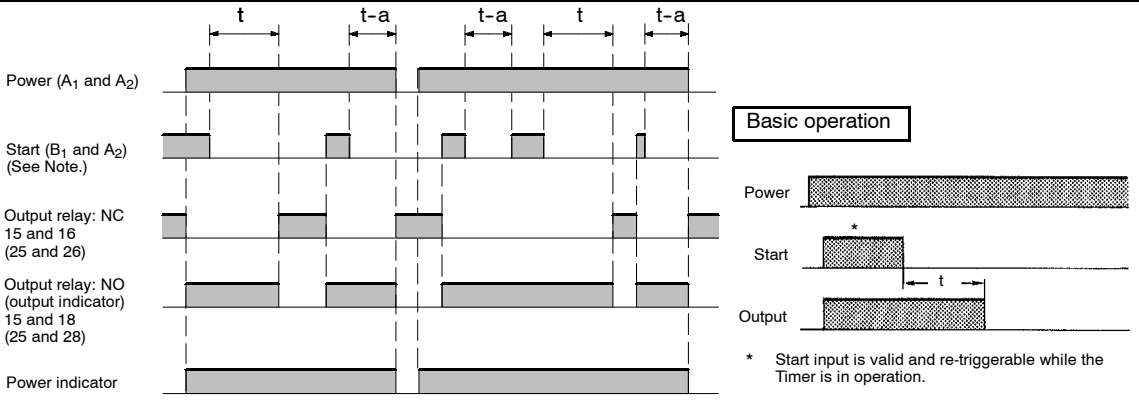
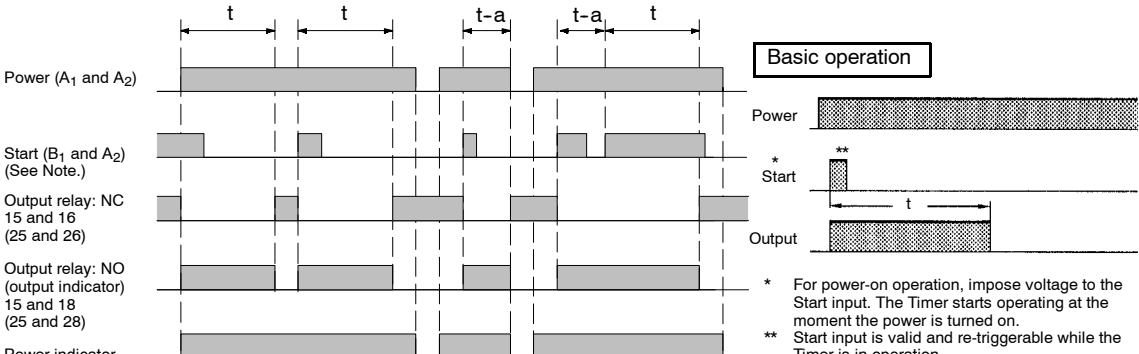
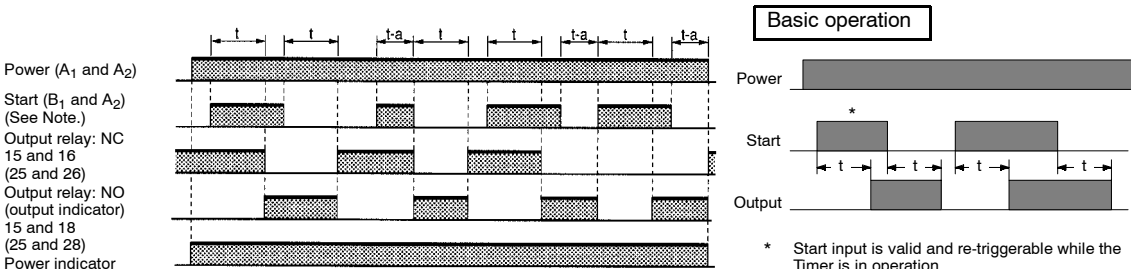
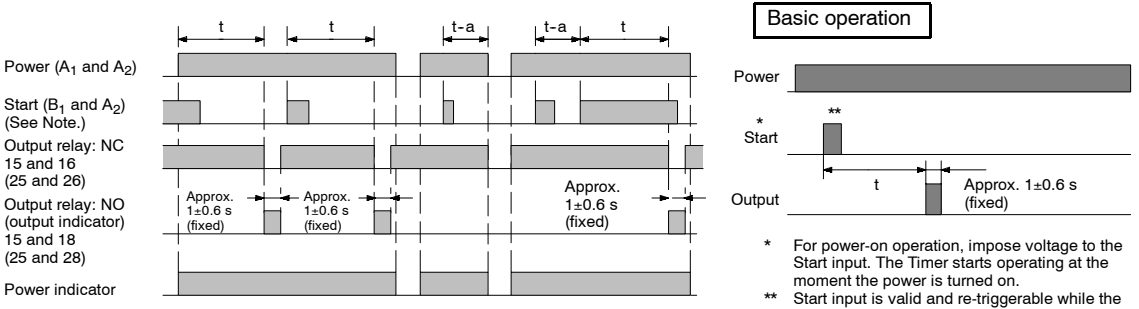
Timing Chart — continued from previous page

Operating mode	Timing chart	
B: Repeat-cycle OFF start		<div style="border: 1px solid black; padding: 5px; width: fit-content; margin-bottom: 10px;">Basic operation</div> <p>* For power-on operation, impose voltage to the Start input. The Timer starts operating at the moment the power is turned on.</p> <p>** Start input is invalid while the Timer is in operation.</p>
B2: Repeat-cycle ON start		<div style="border: 1px solid black; padding: 5px; width: fit-content; margin-bottom: 10px;">Basic operation</div> <p>* For power-on operation, impose voltage to the Start input. The Timer starts operating at the moment the power is turned on.</p> <p>** Start input is invalid while the Timer is in operation.</p>
C: Signal ON/OFF-delay		<div style="border: 1px solid black; padding: 5px; width: fit-content; margin-bottom: 10px;">Basic operation</div> <p>* Start input is invalid while the Timer is in operation.</p>

Note: The start input of the H3DE-M1 or H3DE-M2 model is activated by applying a voltage to B1 and A2 terminals. The voltage can be applied by turning on the contact between B1 and A1 (Refer to *Terminal Arrangement*).

(This table continues on the next page.)

Timing Chart — continued from previous page

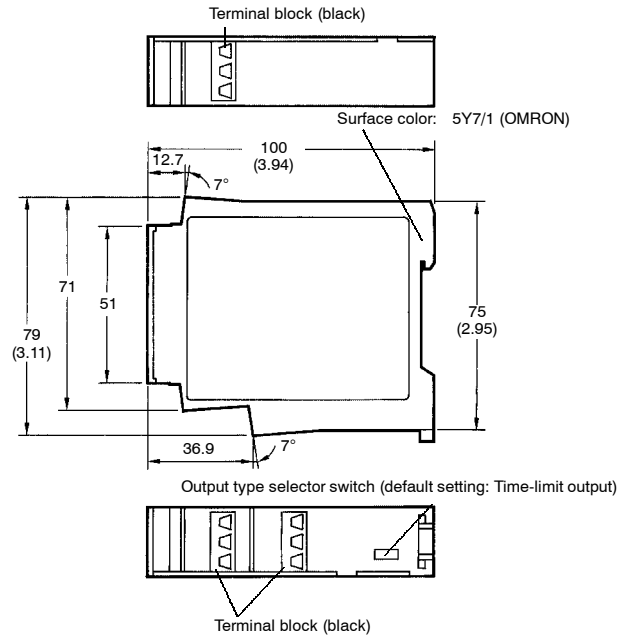
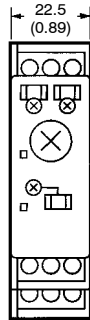
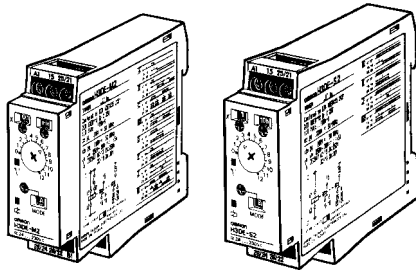
Operating mode	Timing chart
<p>D: Signal OFF-delay</p>	
<p>E: Interval</p>	
<p>G: Signal ON/OFF-delay</p>	
<p>J: One-shot output (ON delay)</p>	

Note: The start input of the H3DE-M1 or H3DE-M2 model is activated by applying a voltage to B1 and A2 terminals. The voltage can be applied by turning on the contact between B1 and A1 (Refer to *Terminal Arrangement*).

Dimensions


Unit: mm (inch)

H3DE-M H3DE-S

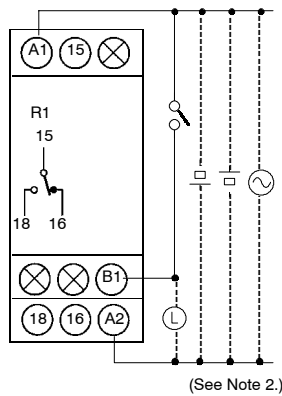


Installation

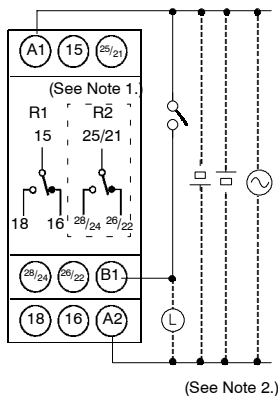
TERMINAL ARRANGEMENT

- Note: 1. The contact symbol for the H3DE is indicated with  because it offers multiple operating modes and is different from the delayed contact for conventional timers.
2. DC supply voltage does not require the designation of polarity.
3. The relay R2 can be set to either instantaneous or time-limit contact using the switch located on the bottom of the Timer.

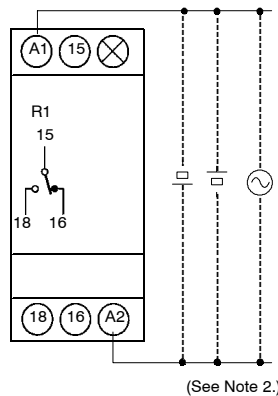
H3DE-M1



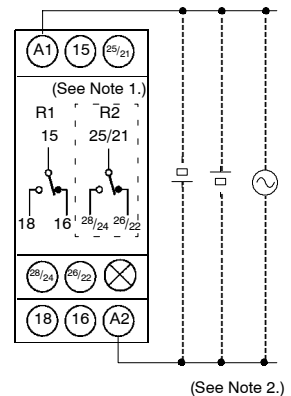
H3DE-M2



H3DE-S1



H3DE-S2

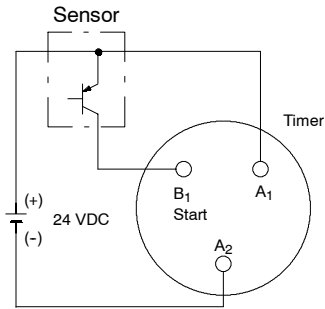


INPUT CONNECTIONS

The inputs of the H3DE-M1/-M2 are voltage (voltage imposition or open) inputs.

No-Contact Input

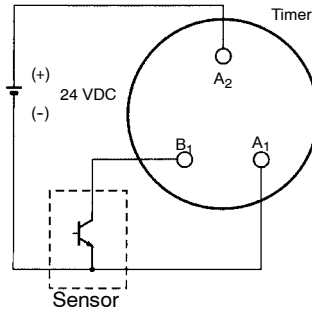
Connection to PNP output sensor.



Operates with PNP transistor ON

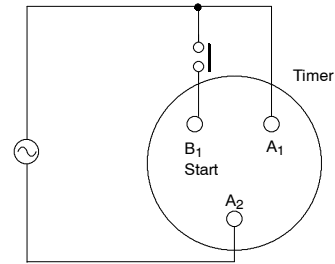
No-Contact Input

Connection to NPN output sensor.



Operates with NPN transistor ON

Contact Input



Operates with relay ON

Voltage Input Signal Levels

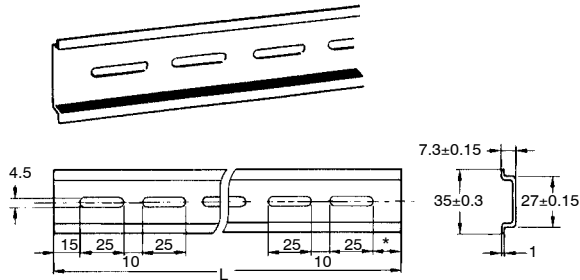
No-contact input	1. Transistor ON Residual voltage: 1 V max.; voltage between terminals B ₁ and A ₂ must be more than the rated "H-level" voltage (20.4 VDC min.)
	2. Transistor OFF Leakage current: 0.01 mA max.; voltage between terminals B ₁ and A ₂ must be less than the rated "L-level" voltage (2.4 VDC max.)
Contact input	Use contacts that can adequately switch 0.1 mA at each voltage to be imposed. When the contacts are ON or OFF, voltage between terminals B ₁ and A ₂ must be within the following ranges. When contacts are ON: 20.4 to 253 VAC/DC. When contacts are OFF: 0 to 2.4 VAC/DC

Accessories (Order Separately)

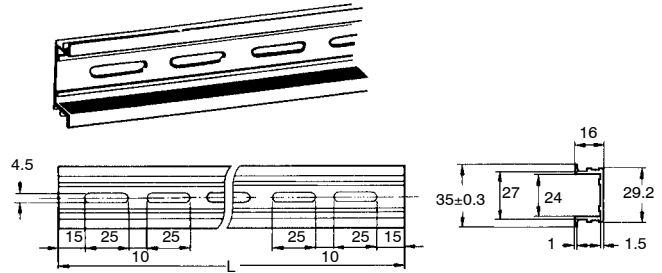
Unit: mm (inch)

■ DIMENSIONS

Mounting Track PFP-100N, PFP-50N



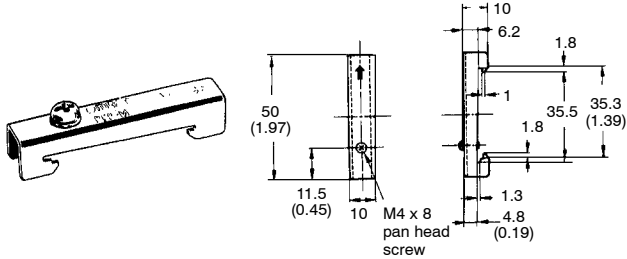
PFP-100N2



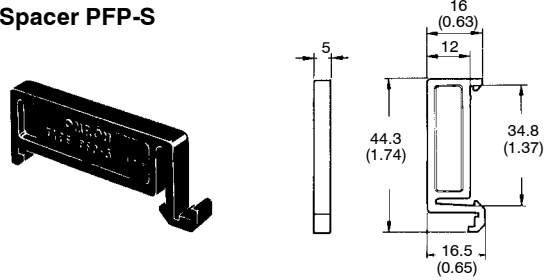
L: Length

1 m	39.37 in	PFP-100N
50 cm	19.69 in	PFP-50N
1 m	39.37 in	PFP-100N2

End Plate PFP-M



Spacer PFP-S



Precautions

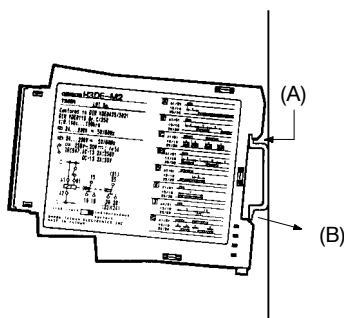
■ SETTING CHANGES

Note: Important: Do not change the time unit, time scale, operating mode, or output type selector switch while the Timer is in operation.

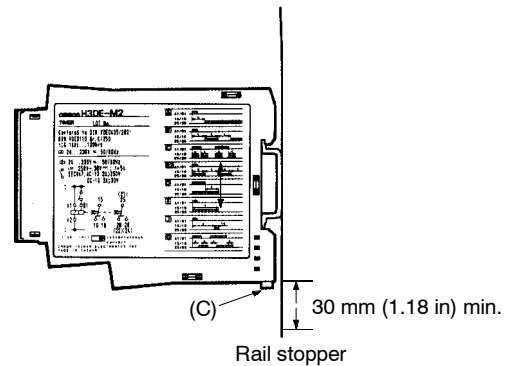
■ MOUNTING AND REMOVAL

The H3DE should be mounted as horizontally as possible.

When mounting the H3DE on a socket mounting track, hook portion (A) of the Timer to an edge of the track first, and then depress the Timer in the direction of (B).



When removing the H3DE, pull out portion (C) with a flat-blade screwdriver and remove the Timer from the mounting track.



The H3DE can be mounted or removed easily if a distance of 30 mm (1.18 in) or more is kept between the H3DE and the top surface of other equipment located below the H3DE.

POWER SUPPLIES

The H3DE Series is provided with a transformerless power supply system. An electric shock may be received if the input terminal or the output type selector switch is touched while power is being supplied.

Use the bar terminal for wiring the H3DE. Using a stranded-wire terminal may cause a short-circuit due to a stray wire entering into the Timer.

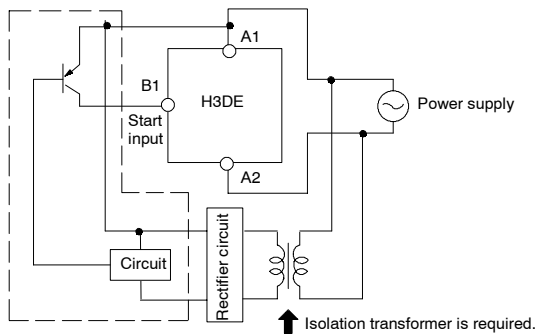
Both AC and DC power supplies can be connected to the power input terminals without regarding polarity.

With the H3DE only, a DC power supply must be connected to the power input terminals as designated according to the polarity of the terminals.

A DC power supply can be connected if its ripple factor is 20% or less and the mean voltage is within the rated operating voltage range of the Timer.

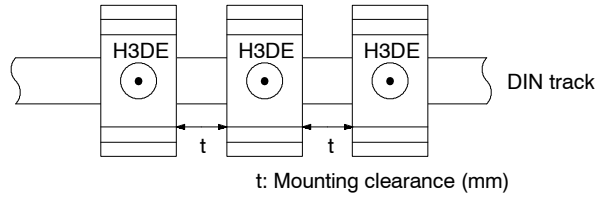
Connect the power supply voltage through a relay or switch in such a way that the voltage reaches a fixed value at once or the Timer may not be reset or a timer error could result.

For the power supply of an input device, use an isolating transformer, of which the primary and secondary windings are mutually isolated and the secondary winding is not grounded.

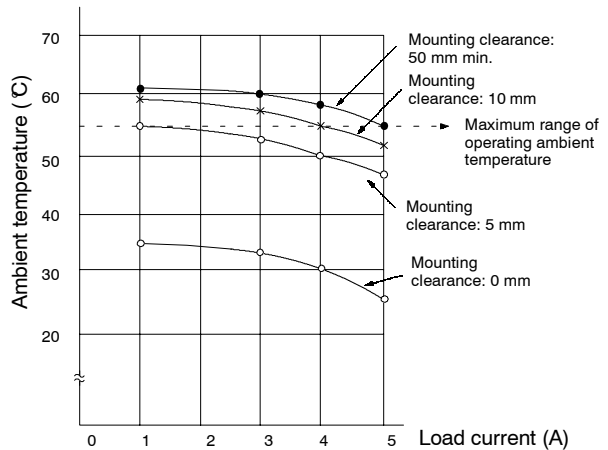


MOUNTING CLEARANCE

If the load current is continuously being supplied to the Timer for a long period of time, be sure to provide the mounting clearance as shown in the figure below. If used under the conditions other than those specified below, the life of internal components may be shortened due to an excessive rise in the internal temperature.



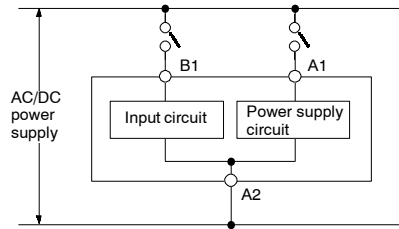
SWITCHING CURRENT VS. AMBIENT TEMPERATURE (WHEN MOUNTING TWO OR MORE H3DE UNITS SIDE-BY-SIDE)



Note: Measurement Condition: Input voltage of 230 VAC.

INPUT/OUTPUT

Relationship between Input and Power Supply Circuits



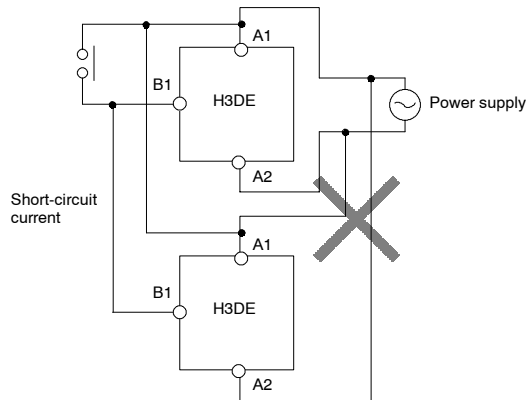
Since the input circuit and the power supply circuit are configured independently, the input circuit can be turned on or off irrespective of the on/off state of the power supply. It must be noted that a voltage equivalent to the power supply voltage is applied to the input circuit.

When connecting a relay or a transistor as an external signal input device, pay attention to the following points to prevent short-circuiting due to a sneak current to the transformerless power supply.

If a relay or transistor is connected to two or more Timers, the input terminals of those Timers must be wired properly so that they will not be different in phase or the terminals will be short-circuited to one another (refer to the figures below).

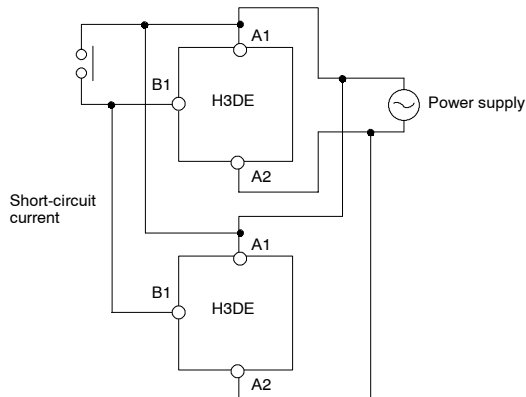
Incorrect

Contact or transistor for external input signal



Correct

Contact or transistor for external input signal



Note: The H3DE Series is provided with a transformerless power supply system.

INPUT WIRES

The input wires must be as short as possible. If the floating capacity of wires exceeds 2,000 pF (approx. 17 m for cables with 120 pF/m), the operation will be affected. Pay particular attention when using shielded cables.

VDE CONFORMANCE

The H3DE as a built-in timer conforms to VDE 0435/P2021 provided that the following conditions are satisfied:

The output section of the H3DE is provided only with basic isolation. To ensure reinforced isolation required by the VDE standards, provide supplementary basic isolation on the load side connected to the output.

The H3DE itself is designed according to the following:

- Overvoltage category III
- Pollution degree 2

The following facts are based on the above standards:

- Operation parts on the front and bottom: Reinforced isolation with clearance of 5.5 mm and creepage distance of 5.5 mm at 230 VAC
- Output: Basic isolation with clearance of 3 mm and creepage distance of 3 mm at 230 VAC

■ ENVIRONMENT

When using the Timer in an area with excess electronic noise, separate the Timer, wiring, and the equipment which generates the input signals as far as possible from the noise sources. To further prevent electronic interference, shield the input signal wiring.

Organic solvents (such as paint thinner), as well as very acidic or basic solutions can damage the outer casing of the Timer.

Do not use the Timer in places where it is exposed to dust, corrosive gas, or direct sunlight.

When storing the Timer, make sure that the ambient temperature and humidity are within the rated values. Leave the Timer at room temperature for at least three hours before using the Timer if it has been stored at an ambient temperature of -10°C or below.

■ RELAY LIFE EXPECTANCY

Built-in relay for the H3DE: G6RN; 50,000 operations min.
(8 A at 250 VAC, resistive load at 360 operations/h.)

NOTE: DIMENSIONS SHOWN ARE IN MILLIMETERS. To convert millimeters to inches divide by 25.4.

OMRON[®]**OMRON ELECTRONICS LLC**One East Commerce Drive
Schaumburg, IL 60173**1-800-55-OMRON****OMRON ON-LINE**Global - <http://www.omron.com>
USA - <http://www.omron.com/oei>
Canada - <http://www.omron.com/oci>**OMRON CANADA, INC.**885 Milner Avenue
Scarborough, Ontario M1B 5V8**416-286-6465**

Specifications

■ GENERAL

Item	H3DE-F
Operating mode	Repeat-cycle with independent ON-time/OFF-time operation
Operating/Reset method	Time-limit operation/Time-limit reset or self-reset
Terminal block	Clamps two 2.5 mm ² max. bar terminals without sleeves
Terminal screw tightening torque	0.98 N • m max. {approx. 10 kgf • cm max.}
Output type	Relay: SPDT
Mounting method	DIN track mounting (See Note.)
Attachment	Nameplate
Approved standards	UL508, CSA 22.2 No.14 Conforms to EN61812-1, IEC60664-1 (VDE0110) 4 kV/2, VDE0106/P 100 Output category according to IEC60947-5-1 (AC-13; 250 V 5A/AC-15; 250 V 3 A/DC-13; 30 V 0.1 A)

Note: Can be mounted to 35-mm DIN track with a plate thickness of 1 to 2.5 mm.

■ TIME RANGES

Time scale display (See Note 1.)	Time unit display			
	sec	10 s	min	hrs
x 0.1	0.1 to 1.2 s	1 to 12 s	0.1 to 1.2 min	0.1 to 1.2 h
x 1	1 to 12 s	10 to 120 s	1 to 12 min	1 to 12 h

- Note: 1. Time scale display is applied commonly for ON and OFF time.
2. When the main dial is set to "0" for all settings, the output will operate instantaneously.

■ RATINGS

Rated supply voltage (See Note.)	24 to 230 VAC/VDC (50/60 Hz)
Operating voltage range	85% to 110% of rated supply voltage
Power reset	Minimum power-off time: 0.1 s
Reset voltage	2.4 VAC/DC max.
Power consumption	AC: Approx. 3.1 VA (1.8 W) at 230 VAC DC: Approx. 0.8 W at 24 VDC
Control output	Contact output: 5 A at 250 VAC with resistive load ($\cos\phi = 1$); 5 A at 30 VDC with resistive load ($\cos\phi = 1$)
Ambient temperature	Operating: -10°C to 55°C (14°F to 131°F) with no icing Storage: -25°C to 65°C (-13°F to 149°F) with no icing
Ambient humidity	Operating: 35% to 85%

Note: DC ripple rate: 20% max.

■ CHARACTERISTICS

Accuracy of operating time	±1% max. of FS (±1% ±10 ms max. at 1.2-s range)
Setting error	±10% ±0.05 s max. of FS
Influence of voltage	±0.5% max. of FS (±0.5% ±10 ms max. at 1.2-s range)
Influence of temperature	±2% max. of FS (±2% ±10 ms max. at 1.2-s range)
Insulation resistance	100 MΩ min. at 500 VDC
Dielectric strength	Between current-carrying metal parts and exposed non-current-carrying metal parts: 2,000 VAC (50/60 Hz) for 1 min. Between control output terminals and operating circuit: 2,000 VAC (50/60 Hz) for 1 min. Between contacts not located next to each other: 1,000 VAC (50/60 Hz) for 1 min.
Impulse withstand voltage	3 kV (between power supply terminals) 4.5 kV (between current-carrying metal parts and exposed non-current-carrying metal parts)
Noise immunity	Square-wave noise generated by noise simulator (pulse width: 100 ns/1 μs, 1-ns rise) ±1.5 kV
Static immunity	Malfunction: 4 kV Destruction: 8 kV
Vibration resistance	Malfunction: 0.5-mm single amplitude at 10 to 55 Hz Destruction: 0.75-mm single amplitude at 10 to 55 Hz
Shock resistance	Malfunction: 100 m/s ² (approximately 10G) Destruction: 1,000 m/s ² (approximately 100G)
Life expectancy	Mechanical: 10 million operations min. (under no load at 1,800 operations/h) Electrical: 100,000 operations min. (5 A at 250 VAC, resistive load at 360 operations/h)
EMC	EMI Emission Enclosure: EN55011 Group 1 class A Emission AC Mains: EN55011 Group 1 class A Harmonic Current: EN61000-3-2 Voltage Fluctuation and Flickering: EN61000-3-3 EMS Immunity ESD: EN61000-4-2: 6 kV contact discharge (level 3); 8 kV air discharge (level 3) Immunity RF-interference from AM Radio Waves: EN61000-4-3: 10 V/m (80 MHz to 1 GHz) (level 3) Immunity Burst: EN61000-4-4: 2 kV power port and output port (level 3); 1 kV control port with capacitive clamp (level 3) Immunity Surge: EN61000-4-5: 2 kV common mode (level 3); 1 kV differential mode (level 3)
Enclosure rating	IP30 (IP20 for terminal block)
Weight	Approx. 110 g

Note: For reference:

A maximum current of 0.15 A can be switched at 125 VDC (cosφ=1).

A maximum current of 0.1 A can be switched if L/R is 7 ms.

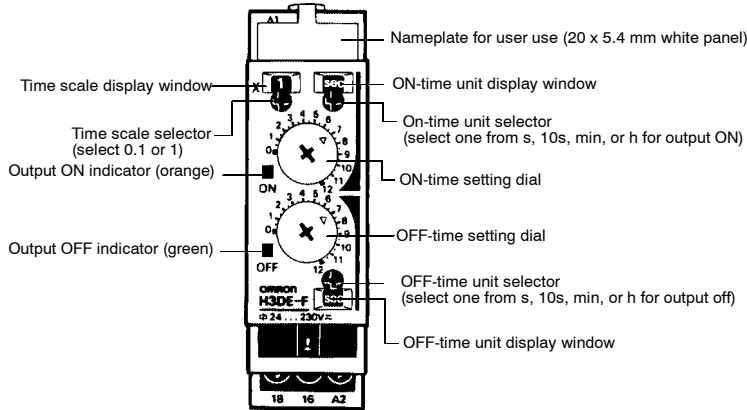
In both cases, a life of 100,000 operations can be expected.

The minimum applicable load is 10 mA at 5 VDC (failure level: P).

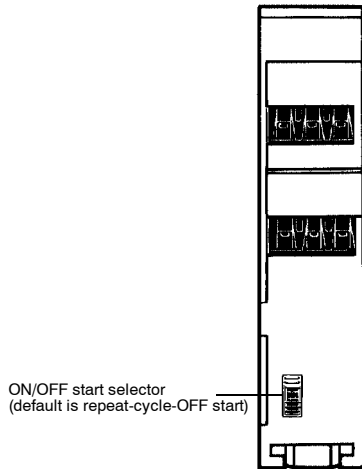
Nomenclature

■ H3DE-F

Front View



Bottom View

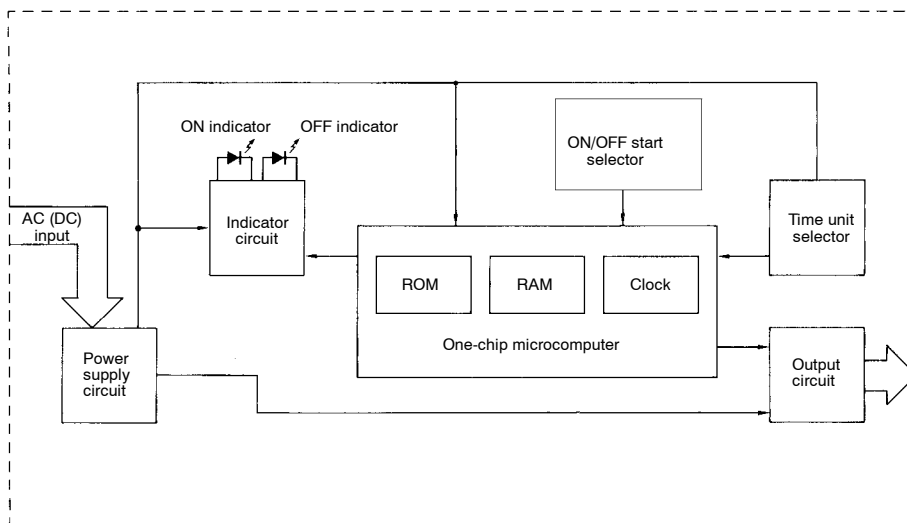


ON/OFF Start Selector Switch Settings

Setting	Operating mode
	ON-start
	OFF-start

Operation

■ BLOCK DIAGRAM



I/O FUNCTION

Inputs	—	
Outputs	Control output	Outputs are turned ON/OFF according to the time set by the ON-time/OFF-time setting dial.

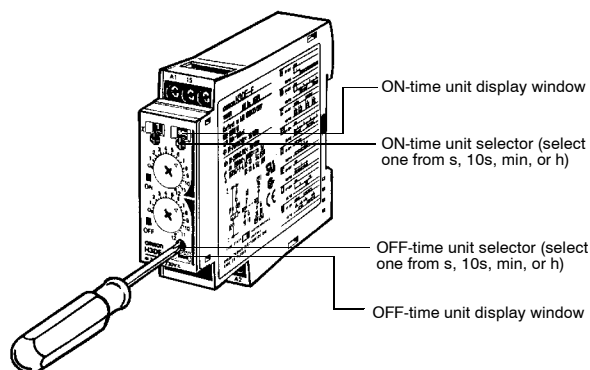
BASIC OPERATION

Time Unit Selection

The time unit display window for output ON is located on the upper-right side of the front panel, above the corresponding time unit selector.

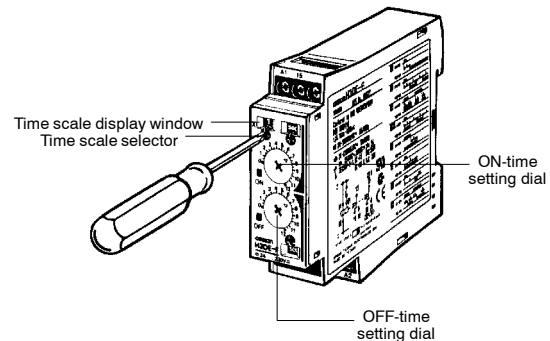
The time unit display window for output OFF is located on the lower-right side of the front panel below the corresponding time unit selector.

According to the setting of each time unit selector, "sec" for seconds, "10s" for 10 seconds, "min" for minutes, or "hrs" for hours will appear in the corresponding time unit display window.



Time Scale Selection

The time scale selector on the upper-left side of the front panel can be set to 0.1 or 1 as a magnification coefficient.



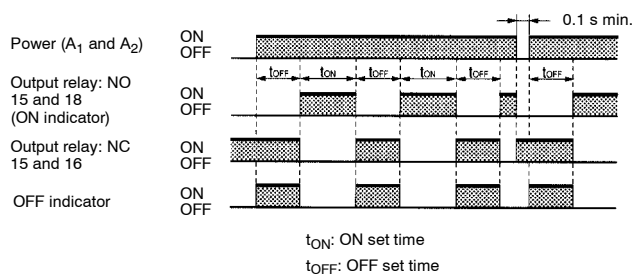
Time Setting

Use the ON/OFF-time setting dials to set the ON/OFF time.

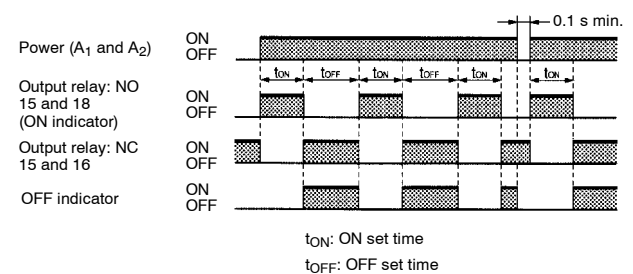
TIMING CHARTS

Operating Mode

OFF-Start



ON-Start



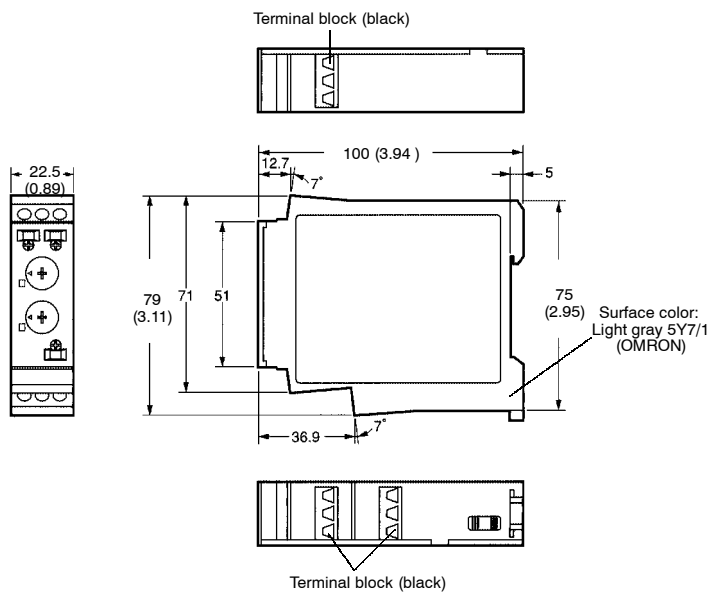
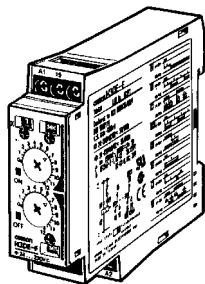
Note: 1. The reset time requires a minimum of 0.1 s.

2. When power is supplied in flicker-ON start mode, the OFF indicator lights momentarily, but this has no effect on the performance of the Timer.

Dimensions

Unit: mm (inch)

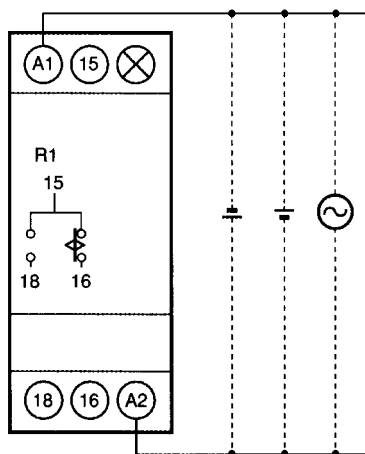
■ H3DE-F



Installation

■ TERMINAL ARRANGEMENT

Note: DC supply voltage does not require the designation of polarity.

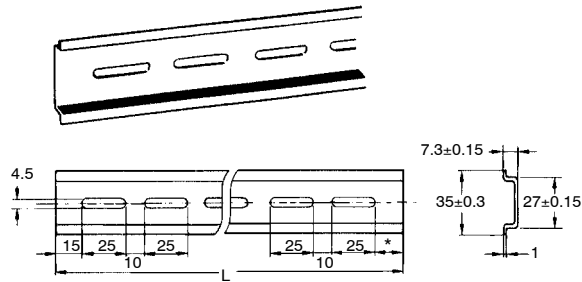


Accessories (Order Separately)

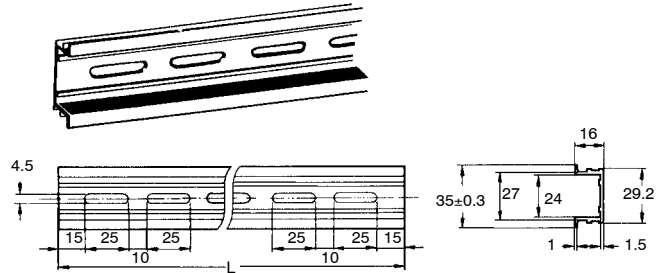
Unit: mm (inch)

■ DIMENSIONS

Mounting Track PFP-100N, PFP-50N



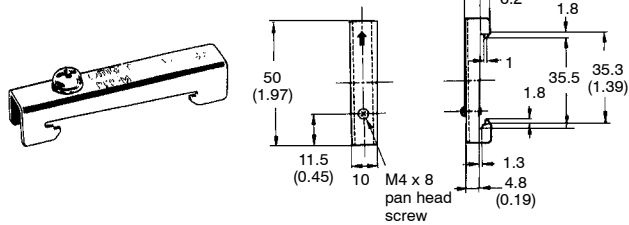
PFP-100N2



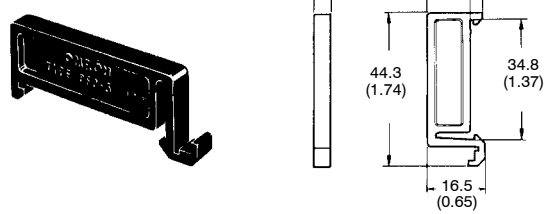
L: Length

1 m	39.37 in	PFP-100N
50 cm	19.69 in	PFP-50N
1 m	39.37 in	PFP-100N2

End Plate PFP-M



Spacer PFP-S



Precautions

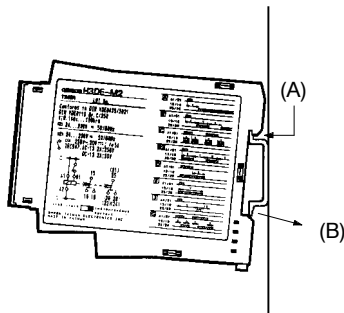
■ SETTING CHANGES

Note: Important: Do not change the time unit, time scale, operating mode, or output type selector switch while the Timer is in operation or malfunction could result.

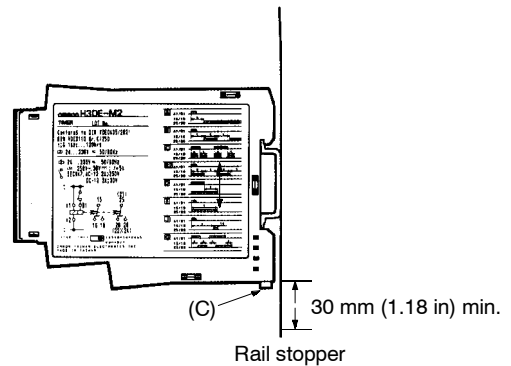
■ MOUNTING AND REMOVAL

The H3DE should be mounted as horizontally as possible.

When mounting the H3DE on a socket mounting track, hook portion (A) of the Timer to an edge of the track first, and then depress the Timer in the direction of (B).



When removing the H3DE, pull out portion (C) with a flat-blade screwdriver and remove the Timer from the mounting track.



The H3DE can be mounted or removed easily if a distance of 30 mm (1.18 in) or more is kept between the H3DE and the top surface of other equipment located below the H3DE.

POWER SUPPLIES

The H3DE Series is provided with a transformerless power supply system. An electric shock may be received if the input terminal or the output type selector switch is touched while power is being supplied.

Use the bar terminal for wiring the H3DE. Using a stranded-wire terminal may cause a short-circuit due to a stray wire entering into the Timer.

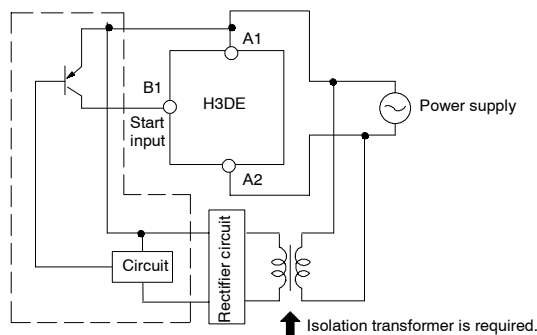
Both AC and DC power supplies can be connected to the power input terminals without regarding polarity.

With the H3DE only, a DC power supply must be connected to the power input terminals as designated according to the polarity of the terminals.

A DC power supply can be connected if its ripple factor is 20% or less and the mean voltage is within the rated operating voltage range of the Timer.

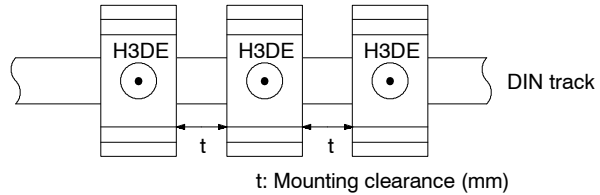
Connect the power supply voltage through a relay or switch in such a way that the voltage reaches a fixed value at once or the Timer may not be reset or a timer error could result.

For the power supply of an input device, use an isolating transformer, of which the primary and secondary windings are mutually isolated and the secondary winding is not grounded.

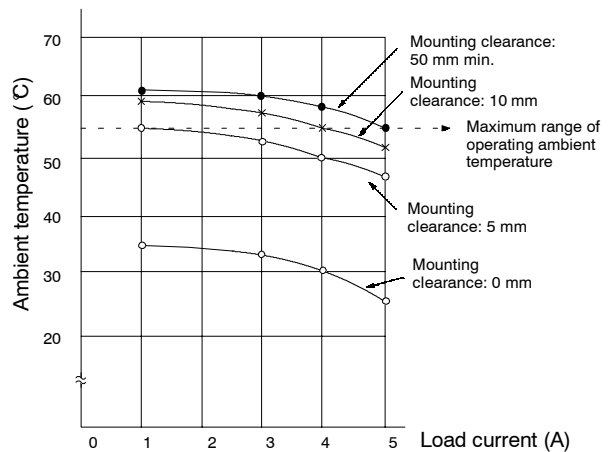


MOUNTING CLEARANCE

If the load current is continuously being supplied to the Timer for a long period of time, be sure to provide the mounting clearance as shown in the figure below. If used under the conditions other than those specified below, the life of internal components may be shortened due to an excessive rise in the internal temperature.



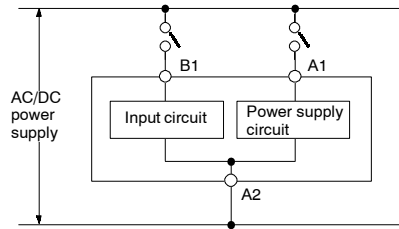
SWITCHING CURRENT VS. AMBIENT TEMPERATURE (WHEN MOUNTING TWO OR MORE H3DE UNITS SIDE-BY-SIDE)



(Measurement Condition: Input voltage of 230 VAC)

INPUT/OUTPUT

Relationship between Input and Power Supply Circuits



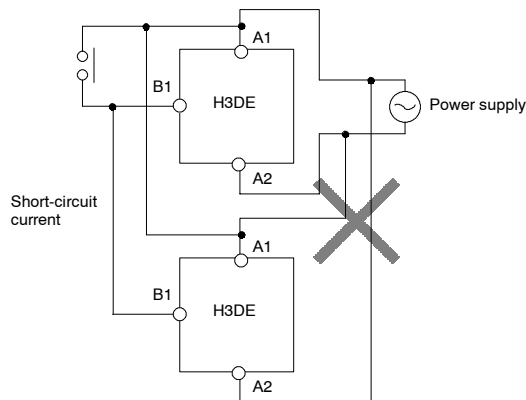
Since the input circuit and the power supply circuit are configured independently, the input circuit can be turned on or off irrespective of the on/off state of the power supply. It must be noted that a voltage equivalent to the power supply voltage is applied to the input circuit.

When connecting a relay or a transistor as an external signal input device, pay attention to the following points to prevent short-circuiting due to a sneak current to the transformerless power supply.

If a relay or transistor is connected to two or more Timers, the input terminals of those Timers must be wired properly so that they will not be different in phase or the terminals will be short-circuited to one another (refer to the figures below).

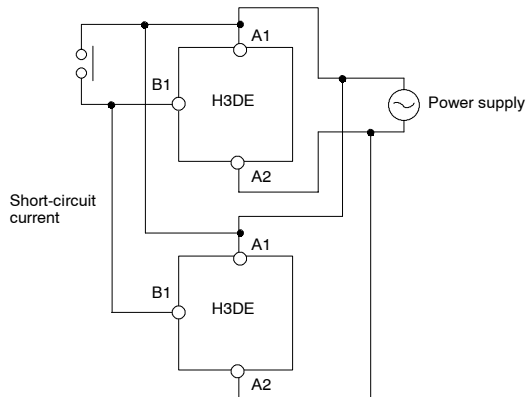
Incorrect

Contact or transistor for external input signal



Correct

Contact or transistor for external input signal



Note: The H3DE Series is provided with a transformerless power supply system.

INPUT WIRES

The input wires must be as short as possible. If the floating capacity of wires exceeds 2,000 pF (approx. 17 m for cables with 120 pF/m), the operation will be affected. Pay particular attention when using shielded cables.

VDE CONFORMANCE

The H3DE as a built-in timer conforms to VDE 0435/P2021 provided that the following conditions are satisfied:

The output section of the H3DE is provided only with basic isolation. To ensure reinforced isolation required by the VDE standards, provide supplementary basic isolation on the load side connected to the output.

The H3DE itself is designed according to the following:

- Overvoltage category III
- Pollution degree 2

The following facts are based on the above standards:

- Operation parts on the front and bottom: Reinforced isolation with clearance of 5.5 mm and creepage distance of 5.5 mm at 230 VAC
- Output: Basic isolation with clearance of 3 mm and creepage distance of 3 mm at 230 VAC

ENVIRONMENT

When using the Timer in an area with excess electronic noise, separate the Timer, wiring, and the equipment which generates the input signals as far as possible from the noise sources. To further prevent electronic interference, shield the input signal wiring.

Organic solvents (such as paint thinner), as well as very acidic or basic solutions can damage the outer casing of the Timer.

Do not use the Timer in places where it is exposed to dust, corrosive gas, or direct sunlight.

When storing the Timer, make sure that the ambient temperature and humidity are within the rated values. Leave the Timer at room temperature for at least three hours before using the Timer if it has been stored at an ambient temperature of -10°C or below.

RELAY LIFE EXPECTANCY

Built-in relay for the H3DE: G6RN; 50,000 operations min. (8 A at 250 VAC, resistive load at 360 operations/h.)

NOTE: DIMENSIONS SHOWN ARE IN MILLIMETERS. To convert millimeters to inches divide by 25.4.

OMRON[®]

OMRON ELECTRONICS LLC

One East Commerce Drive
Schaumburg, IL 60173

1-800-55-OMRON

OMRON ON-LINE

Global - <http://www.omron.com>
USA - <http://www.omron.com/oei>
Canada - <http://www.omron.com/oci>

OMRON CANADA, INC.

885 Milner Avenue
Scarborough, Ontario M1B 5V8

416-286-6465

Specifications

■ GENERAL

Item	H3DE-H
Operating mode	Power OFF-delay
Operating/Reset method	Instantaneous operation/Time-limit reset
Terminal block	Clamps Two 2.5 mm ² max. bar terminals without sleeves
Terminal screw tightening torque	0.98 N • m max. {approx. 10 kgf • cm max.}
Output type	Relay: SPDT
Mounting method	DIN track mounting (see note)
Attachment	Nameplate
Approved standards	UL508, CSA 22.2 No.14 Conforms to EN61812-1, IEC60664-1 (VDE0110) 4 kV/2, VDE0106/P100 Output category according to IEC60947-5-1 (AC-13; 250 V 5A/AC-15; 250 V 3 A/DC-13; 30 V 0.1 A)

Note: Can be mounted to 35-mm DIN track with a plate thickness of 1 to 2.5 mm.

■ TIME RANGES

Time scale display		Time ranges	Min. power ON time
S series	x 0.1 s	0.1 to 1.2 s	0.1 s minimum
	x 1 s	1 to 12 s	
L series	x 1 s	1 to 12 s	0.3 s minimum
	x 10 s	10 to 120 s	

Note: The Timer will not operate if the specified power-on time is not kept. Be sure to supply power for at least the period specified.

■ RATINGS

Rated supply voltage (see note)	100 to 120 VAC (50/60 Hz) 200 to 230 VAC (50/60 Hz) 24 VAC/VDC (50/60 Hz) 48 VAC/VDC (50/60 Hz)
Operating voltage range	85% to 110% of rated supply voltage
Power consumption	24 VAC/VDC Type AC: Approx. 0.3 VA (0.2 W) at 24 VAC DC: Approx. 0.2 W at 24 VDC
	48 VAC/VDC Type AC: Approx. 0.5 VA (0.5 W) at 48 VAC DC: Approx. 0.5 W at 48 VDC
	100 to 120 VAC Type AC: Approx. 0.8 VA (0.7 W) at 120 VAC
	200 to 230 VAC Type AC: Approx. 1.6 VA (1.0 W) at 230 VAC
Control output	Contact output: 5 A at 250 VAC with resistive load ($\cos\phi = 1$); 5 A at 30 VDC with resistive load ($\cos\phi = 1$)
Ambient temperature	Operating: -10°C to 55°C (14°F to 131°F) with no icing Storage: -25°C to 65°C (-13°F to 149°F) with no icing
Ambient humidity	Operating: 35% to 85%

Note: The ripple in DC power supply must be 20% max. A single-phase, full-wave rectifying power supply can be connected if the ripple output of the power supply is a maximum of 20% of the whole output.

■ CHARACTERISTICS

Accuracy of operating time	±1% max. of FS (±1% ±10 ms max. at 1.2-s range)
Setting error	±10% ±0.05 s max. of FS
Influence of voltage	±0.5% max. of FS (±0.5% ±10 ms max. at 1.2-s range)
Influence of temperature	±2% max. of FS (±2% ± 10 ms max. at 1.2-s range)
Insulation resistance	100 MΩ min. at 500 VDC
Dielectric strength	Between current-carrying metal parts and exposed non-current-carrying metal parts: 2,000 VAC (50/60 Hz) for 1 min. Between control output terminals and operating circuit: 2,000 VAC (50/60 Hz) for 1 min. Between contacts not located next to each other: 1,000 VAC (50/60 Hz) for 1 min.
Impulse withstand voltage	3 kV (or 1 kV for 24/48 VAC/VDC models) (between power supply terminals) 4.5 kV (or 1.5 kV for 24/48 VAC/VDC models) (between current-carrying metal parts and exposed non-current-carrying metal parts)
Noise immunity	Square-wave noise generated by noise simulator (pulse width: 100 ns/1 μs, 1-ns rise) ±1.5 kV (between power supply terminals)
Static immunity	Malfunction: 4 kV Destruction: 8 kV
Vibration resistance	Malfunction: 0.5-mm single amplitude at 10 to 55 Hz Destruction: 0.75-mm single amplitude at 10 to 55 Hz
Shock resistance	Malfunction: 100 m/s ² (approximately 10G) Destruction: 1,000 m/s ² (approximately 100G)
Life expectancy	Mechanical: 10 million operations min. (under no load at 1,200 operations/h) Electrical: 100,000 operations min. (5 A at 250 VAC, resistive load at 1,200 operations/h)
EMC	<u>EMI</u> Emission Enclosure: EN55011 Group 1 class A Emission AC Mains: EN55011 Group 1 class A Harmonic Current: EN61000-3-2 Voltage Fluctuation and Flickering EN61000-3-3 <u>EMS</u> Immunity ESD: EN61000-4-2: 6 kV contact discharge (level 3); 8 kV air discharge (level 3) Immunity RF-interference from AM Radio Waves: EN61000-4-3: 10 V/m (80 MHz to 1 GHz) (level 3) Immunity Burst: EN61000-4-4: 2 kV power port and output port (level 3); 1 kV control port with capacitive clamp (level 3) Immunity Surge: EN61000-4-5: 2 kV common mode (level 3); 1 kV differential mode (level 3)
Enclosure rating	IP30 (IP20 for terminal block)
Weight	Approx. 120 g

Note: For reference:

A maximum current of 0.15 A can be switched at 125 VDC (cosφ=1).

A maximum current of 0.1 A can be switched if L/R is 7 ms.

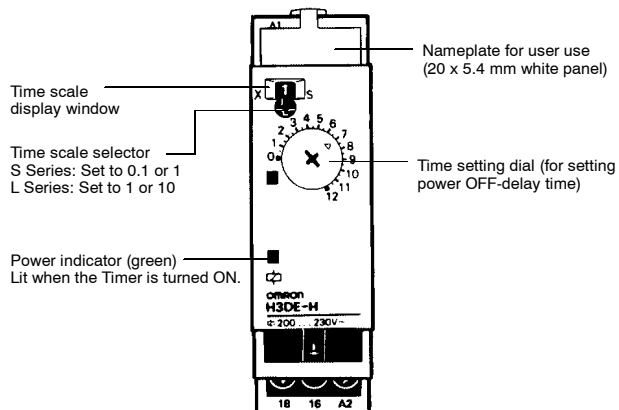
In both cases, a life of 100,000 operations can be expected.

The minimum applicable load is 100 mA at 5 VDC (failure level: P).

Nomenclature

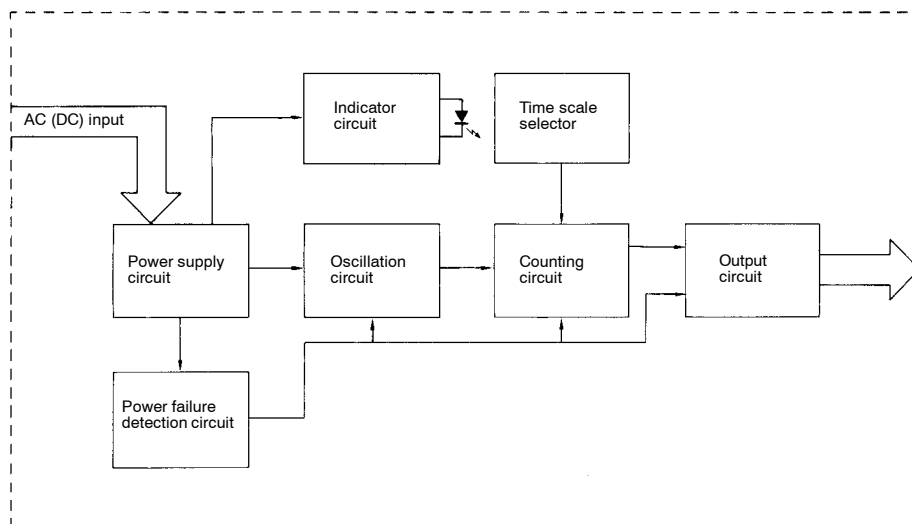
■ H3DE-H

Front View



Operation

■ BLOCK DIAGRAM



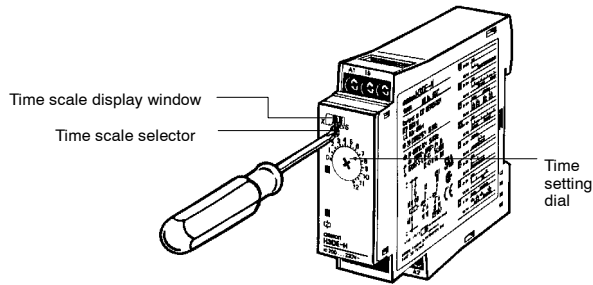
■ I/O FUNCTIONS

Inputs	—	
Outputs	Control output	The Timer operates instantaneously when the Timer is turned ON. The Timer is in counting operation after the Timer is turned OFF and the output of the Timer is turned OFF when the preset time elapses.

BASIC OPERATION

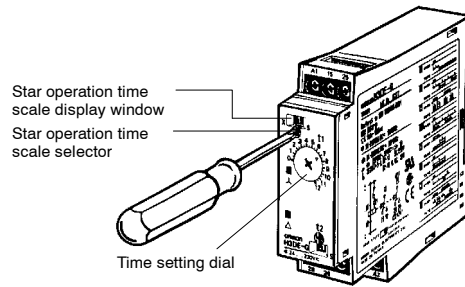
Time Scale Selection

The time scale selector on the upper left-hand side of the front panel of the S Series can be set to 0.1 or 1 and that of the L Series can be set to 1 or 10 as magnification coefficients.

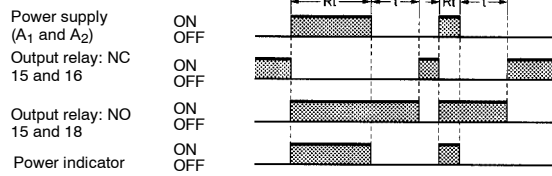


Time Scale Selection

The star operation time scale selector on the upper-left side of the front panel can be set to 1 or 10 as a magnification.



TIMING CHART



t: Set time

Rt: Minimum power-on time (S-series: 0.1 s min.; L-series: 0.3 s min.)

(The output may never turn ON if this time or more is not ensured.)

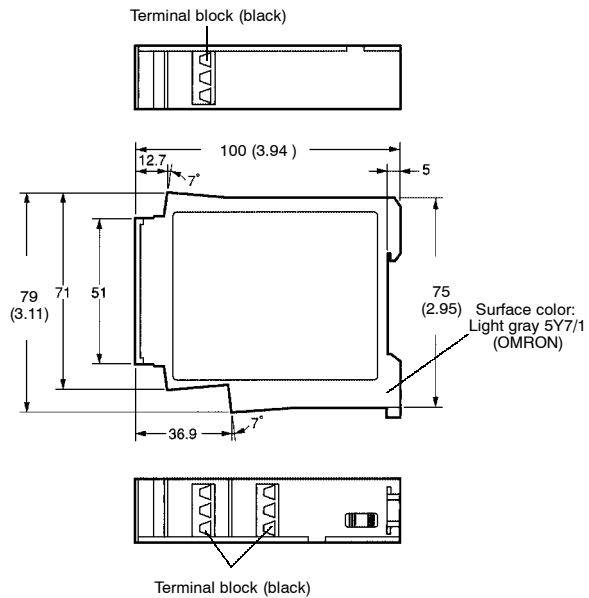
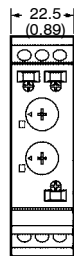
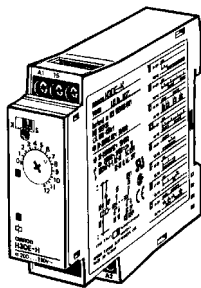
Time Setting

The operating time of the Timer is set with the time setting dial.

Dimensions

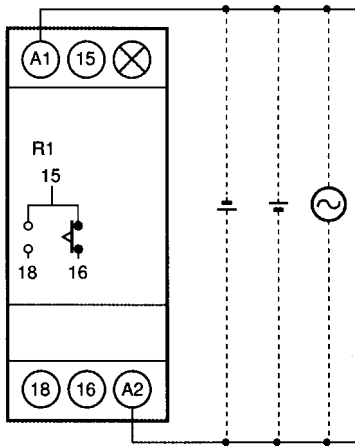
Unit: mm (inch)

H3DE-H



Installation

■ TERMINAL ARRANGEMENT



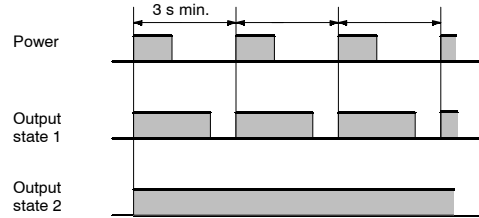
Note: DC supply voltage does not require the designation of polarity.

■ WIRING

The H3DE has a high impedance circuit. Therefore, the H3DE may not be reset if the H3DE is influenced by inductive voltage. In order to eliminate any influence of inductive voltage, the wires connected to the H3DE must be as short as possible and should not be installed alongside power lines. If the H3DE is influenced by inductive voltage that is 30% or more of the rated voltage, connect a CR filter with a capacitance of approximately $0.1 \mu\text{F}$ and a resistance of approximately 120Ω or a bleeder resistor between the power supply terminals. If there is any residual voltage due to current leakage, connect a bleeder resistor between the power supply terminals.

■ OPERATION

An interval of 3 s minimum is required to turn on the H3DE after the H3DE is turned off. If the H3DE is turned on and off repeatedly with an interval of shorter than 3 s, the internal parts of the H3DE may deteriorate and the H3DE may malfunction.



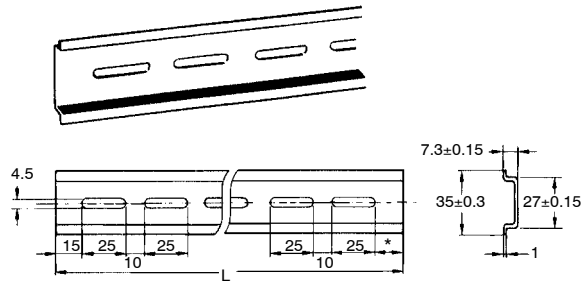
If it is required that the output be turned on repeatedly with an interval of shorter than 3 s, consider use of the H3DE-M2/-M1 in mode D (signal OFF-delay).

Accessories (Order Separately)

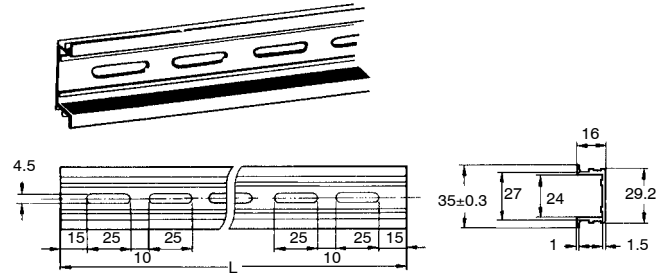
Unit: mm (inch)

■ DIMENSIONS

Mounting Track PFP-100N, PFP-50N



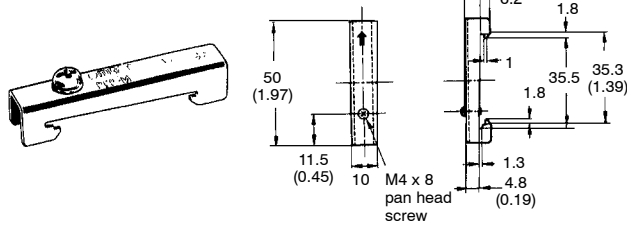
PFP-100N2



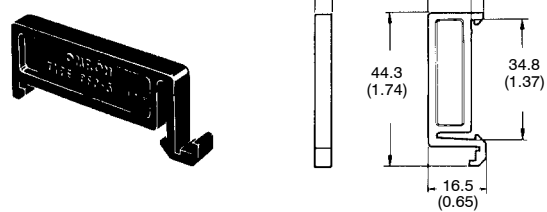
L: Length

1 m	39.37 in	PFP-100N
50 cm	19.69 in	PFP-50N
1 m	39.37 in	PFP-100N2

End Plate PFP-M



Spacer PFP-S



Precautions

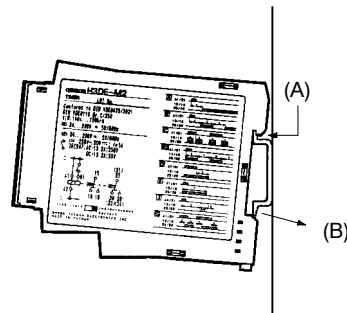
■ SETTING CHANGES

Note: To avoid malfunction, do not change the time unit, time scale, operating mode, or output type selector switch while the Timer is in operation.

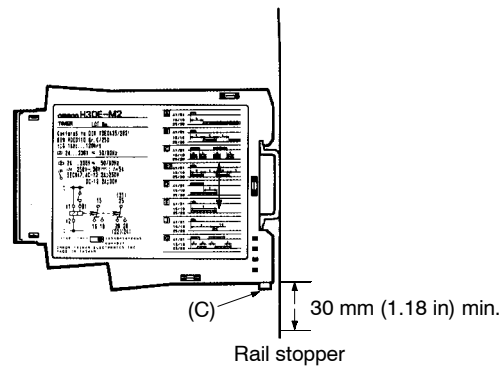
■ MOUNTING/REMOVING

The H3DE should be mounted as horizontally as possible.

When mounting the H3DE on a socket mounting track, hook portion (A) of the Timer to an edge of the track first, and then depress the Timer in the direction of (B).



When removing the H3DE, pull out portion (C) with a flat-blade screwdriver and remove the Timer from the mounting track.



The H3DE can be mounted and removed with ease if a distance of 30 mm (1.18 in) or more is kept between the H3DE and the top surface of other equipment located below the H3DE.

POWER SUPPLIES

The H3DE Series is provided with a transformerless power supply system. An electric shock may be received if the input terminal or the output type selector switch is touched while power is being supplied.

Use the bar terminal for wiring the H3DE. Using a stranded-wire terminal may cause a short-circuit due to a stray wire entering into the Timer.

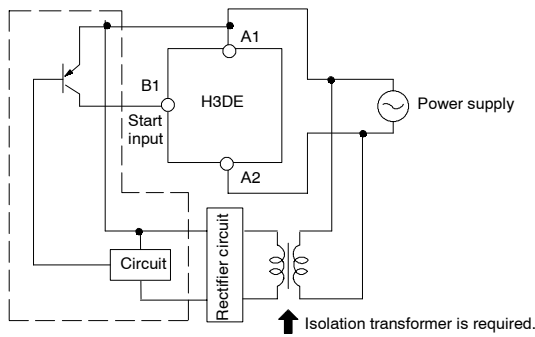
Both AC and DC power supplies can be connected to the power input terminals without regarding polarity.

With the H3DE only, a DC power supply must be connected to the power input terminals as designated according to the polarity of the terminals.

A DC power supply can be connected if its ripple factor is 20% or less and the mean voltage is within the rated operating voltage range of the Timer.

Connect the power supply voltage through a relay or switch in such a way that the voltage reaches a fixed value at once or the Timer may not be reset or a timer error could result.

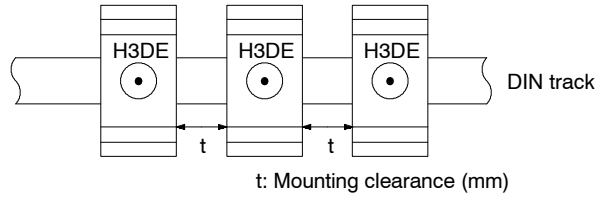
For the power supply of an input device, use an isolating transformer, of which the primary and secondary windings are mutually isolated and the secondary winding is not grounded.



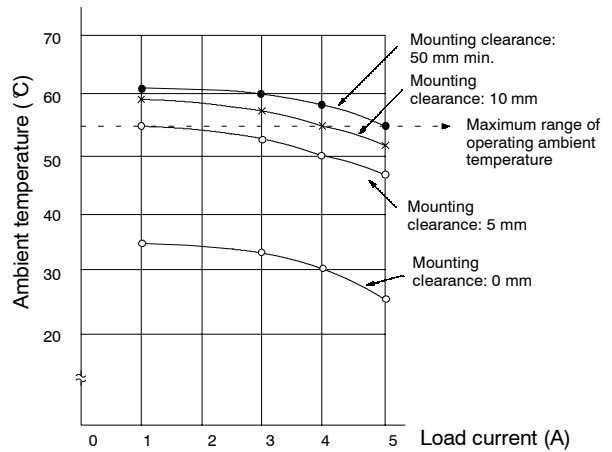
The H3DE-H has a large inrush current; provide sufficient power supply capacity. If the power supply capacity is too small, there may be delays in turning ON the output.

MOUNTING CLEARANCE

If the load current is continuously being supplied to the Timer for a long period of time, be sure to provide the mounting clearance as shown in the figure below. If used under the conditions other than those specified below, the life of internal components may be shortened due to an excessive rise in the internal temperature.



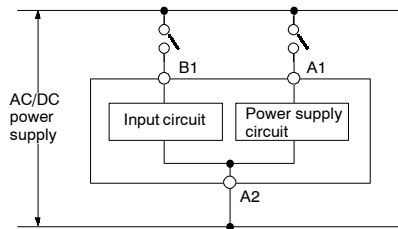
SWITCHING CURRENT VS. AMBIENT TEMPERATURE (WHEN MOUNTING TWO OR MORE H3DE UNITS SIDE-BY-SIDE)



Note: Measurement Condition: Input voltage of 230 VAC.

INPUT/OUTPUT

Relationship Between Input and Power Supply Circuits



Since the input circuit and the power supply circuit are configured independently, the input circuit can be turned on or off irrespective of the on/off state of the power supply.

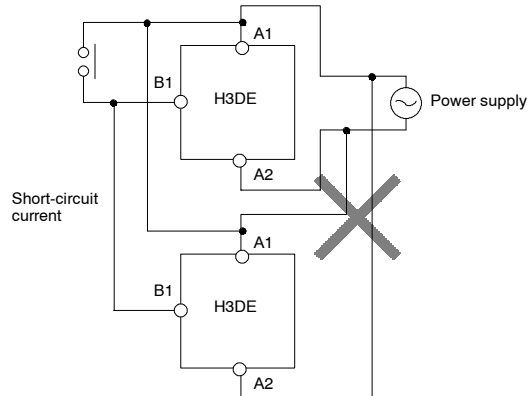
Note: A voltage equivalent to the power supply voltage is applied to the input circuit.

When connecting a relay or a transistor as an external signal input device, pay attention to the following points to prevent short-circuiting due to a sneak current to the transformerless power supply.

If a relay or transistor is connected to two or more Timers, the input terminals of those Timers must be wired properly so that they will not be different in phase or the terminals will be short-circuited to one another (refer to the figures below).

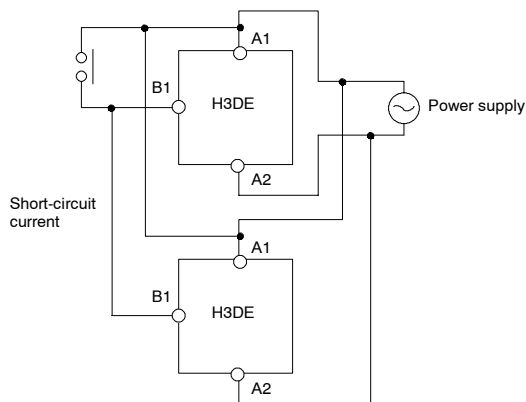
Incorrect

Contact or transistor for external input signal



Correct

Contact or transistor for external input signal



The H3DE Series is provided with a transformerless power supply system.

INPUT WIRES

The input wires must be as short as possible. If the floating capacity of wires exceeds 2,000 pF (approx. 17 m for cables with 120 pF/m), the operation will be affected. Pay particular attention when using shielded cables.

VDE CONFORMANCE

The H3DE as a built-in timer conforms to VDE 0435/P2021 provided that the following conditions are satisfied:

The output section of the H3DE is provided only with basic isolation. To ensure reinforced isolation required by the VDE standards, provide supplementary basic isolation on the load side connected to the output.

The H3DE itself is designed according to the following:

- Overvoltage category III
- Pollution degree 2

The following facts are based on the above standards:

- Operation parts on the front and bottom: Reinforced isolation With clearance of 5.5 mm and creepage distance of 5.5 mm at 230 VAC
- Output: Basic isolation with clearance of 3 mm and creepage distance of 3 mm at 230 VAC

ENVIRONMENT

When using the Timer in an area with excess electronic noise, separate the Timer, wiring, and the equipment which generates the input signals as far as possible from the noise sources. To further prevent electronic interference, shield the input signal wiring.

Organic solvents (such as paint thinner), as well as very acidic or basic solutions can damage the outer casing of the Timer.

Do not use the Timer in places where it is exposed to dust, corrosive gas, or direct sunlight.

When storing the Timer, make sure that the ambient temperature and humidity are within the rated values. Leave the Timer at room temperature for at least three hours before using the Timer if it has been stored at an ambient temperature of -10°C or below.

RELAY LIFE EXPECTANCY

Built-in relay for the H3DE: G6RN; 50,000 operations min. (8 A at 250 VAC, resistive load at 360 operations/h.)

NOTE: DIMENSIONS SHOWN ARE IN MILLIMETERS. To convert millimeters to inches divide by 25.4.

OMRON[®]

OMRON ELECTRONICS LLC

One East Commerce Drive
Schaumburg, IL 60173

1-800-55-OMRON

OMRON ON-LINE

Global - <http://www.omron.com>
USA - <http://www.omron.com/oei>
Canada - <http://www.omron.com/oci>

OMRON CANADA, INC.

885 Milner Avenue
Scarborough, Ontario M1B 5V8

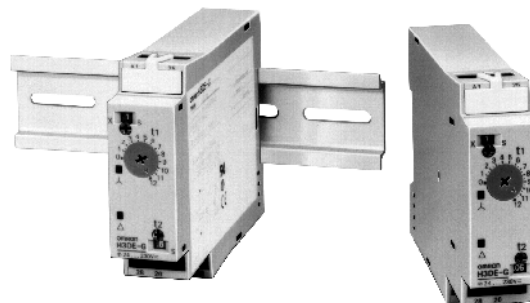
416-286-6465

Star-Delta Timer

H3DE-G

22.5 mm Star-Delta Timer
Designed for Track Mounting

- A wide AC/DC power supply range, 24 to 230 AC/DC
- A wide star-time range up to 120 seconds, and delta-transfer time range up to 0.5 seconds
- Finger protection terminal block



Ordering Information

■ TIMER

Description	Supply voltage	Part number
Star-delta timer	24 to 230 VAC/VDC	H3DE-G AC/DC24-230

■ MODEL NUMBER LEGEND

H3DE-□-□ 1. G: Star-delta timer 2. Supply voltage
1 2

■ ACCESSORIES (ORDER SEPARATELY)

Item	Description	Part number
Mounting track	50 cm (l) x 7.3 mm (t)	PFP-50N
	1 m (l) x 7.3 mm (t)	PFP-100N
	1 m (l) x 16 mm (t)	PFP-100N2
End plate		PFP-M
Spacer		PFP-S

Specifications

■ GENERAL

Item	H3DE-G
Operating mode	Star-delta operation
Operating/Reset method	Time-limit operation/Self-reset
Terminal block	Clamps two 2.5 mm ² max. bar terminals without sleeves
Terminal screw tightening torque	0.98 N • m max. {approx. 10 kgf • cm max.}
Output type	Star Operation Circuit Relay: SPDT; Delta Operation Circuit Relay: SPDT
Mounting method	DIN track mounting (See Note.)
Attachment	Nameplate
Approved standards	UL508, CSA 22.2 No.14 Conforms to EN61812-1, IEC60664-1 (VDE0110) 4 kV/2, VDE0106/P100 Output category according to IEC60947-5-1 (AC-13; 250 V 5A/AC-15; 250 V 3 A/DC-13; 30 V 0.1 A)

Note: Can be mounted to 35-mm DIN track with a plate thickness of 1 to 2.5 mm.

■ TIME RANGES

Time scale display	Star operation time ranges
x 1	1 to 12 s
x 10	10 to 120 s
Star-delta transfer time	Programmable at 0.05 s, 0.1 s, 0.25 s or 0.5 s

■ RATINGS

Rated supply voltage (See Note.)	24 to 230 VAC/VDC (50/60 Hz)
Operating voltage range	85% to 110% of rated supply voltage
Power reset	Minimum power-off time: 0.5 s
Reset voltage	24 VAC/DC max.
Power consumption	AC: Approx. 3 VA (1.8 W) at 230 VAC DC: Approx. 0.8 W at 24 VDC
Control output	Contact output: 5 A at 250 VAC with resistive load ($\cos\phi = 1$); 5 A at 30 VDC with resistive load ($\cos\phi = 1$)
Ambient temperature	Operating: -10°C to 55°C (14°F to 131°F) with no icing Storage: -25°C to 65°C (-13°F to 149°F) with no icing
Ambient humidity	Operating: 35% to 85%

Note: DC ripple rate: 20% max.

■ CHARACTERISTICS

Accuracy of operating time	±1% max. of FS
Setting error	±10% ±0.05 s max. of FS
Total tolerance of transfer time	±25% FS + 5 ms max.
Influence of voltage	±0.5% max. of FS
Influence of temperature	±2% max. of FS
Insulation resistance	100 MΩ min. at 500 VDC
Dielectric strength	Between current-carrying metal parts and exposed non-current-carrying metal parts: 2,000 VAC (50/60 Hz) for 1 min. Between control output terminals and operating circuit: 2,000 VAC (50/60 Hz) for 1 min. Between contacts not located next to each other: 1,000 VAC (50/60 Hz) for 1 min.
Impulse withstand voltage	3 kV (between power supply terminals) 4.5 kV (between current-carrying metal parts and exposed non-current-carrying metal parts)
Noise immunity	Square-wave noise generated by noise simulator (pulse width: 100 ns/1 μs, 1-ns rise) ±1.5 kV
Static immunity	Malfunction: 4 kV Destruction: 8 kV
Vibration resistance	Malfunction: 0.5-mm single amplitude at 10 to 55 Hz Destruction: 0.75-mm single amplitude at 10 to 55 Hz
Shock resistance	Malfunction: 100 m/s ² (approximately 10G) Destruction: 1,000 m/s ² (approximately 100G)
Life expectancy	Mechanical: 10 million operations min. (under no load at 1,800 operations/h) Electrical: 100,000 operations min. (5 A at 250 VAC, resistive load at 360 operations/h)
EMC	<u>EMI</u> Emission Enclosure: EN55011 Group 1 class A Emission AC Mains: EN55011 Group 1 class A Harmonic Current: EN61000-3-2 Voltage Fluctuation and Flickering EN61000-3-3 <u>EMS</u> Immunity ESD: EN61000-4-2: 6 kV contact discharge (level 3); 8 kV air discharge (level 3) Immunity RF-interference from AM Radio Waves: EN61000-4-3: 10 V/m (80 MHz to 1 GHz) (level 3) Immunity Burst: EN61000-4-4: 2 kV power port and output port (level 3); 1 kV control port with capacitive clamp (level 3) Immunity Surge: EN61000-4-5: 2 kV common mode (level 3); 1 kV differential mode (level 3)
Enclosure rating	IP30 (IP20 for terminal block)
Weight	Approx. 120 g

Note: For reference:

A maximum current of 0.15 A can be switched at 125 VDC (cosφ=1).

A maximum current of 0.1 A can be switched if L/R is 7 ms.

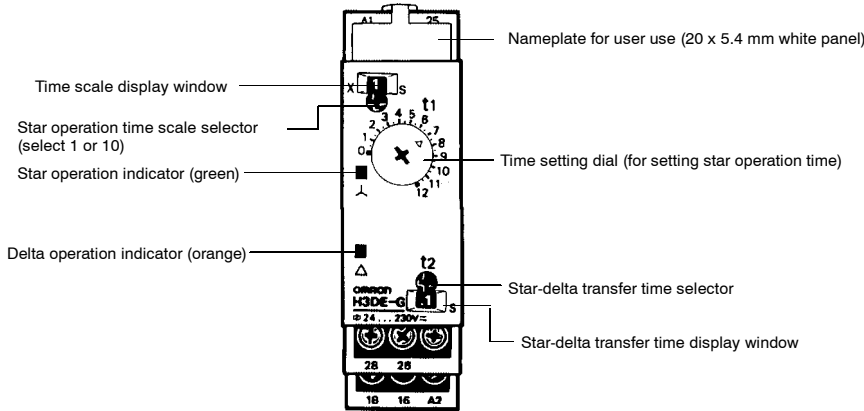
In both cases, a life of 100,000 operations can be expected.

The minimum applicable load is 10 mA at 5 VDC (failure level: P).

Nomenclature

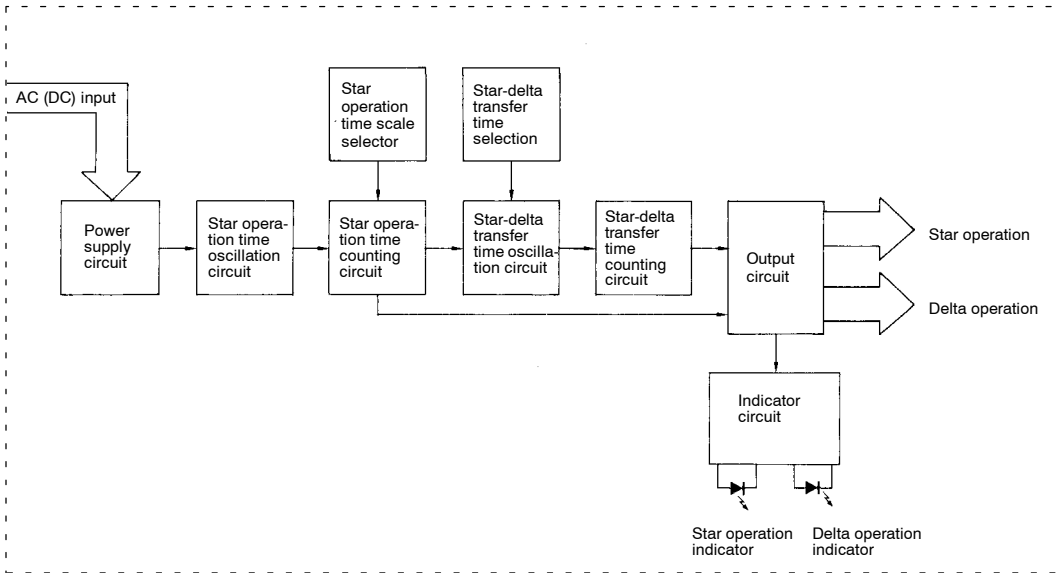
■ H3DE-G

Front View



Operation

■ BLOCK DIAGRAM



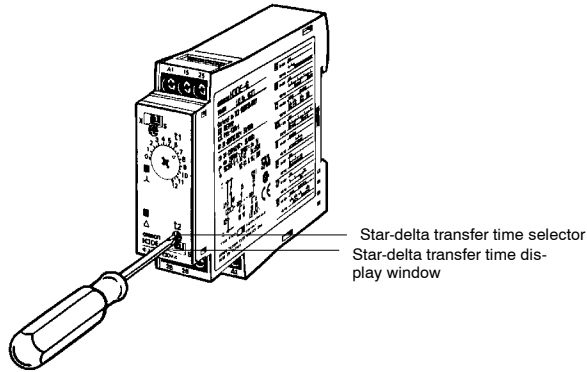
■ I/O FUNCTIONS

Inputs	—	
Outputs	Control output	Star output is turned OFF when the dial set value is reached and delta output is ON after the preset transfer time elapses

■ BASIC OPERATION

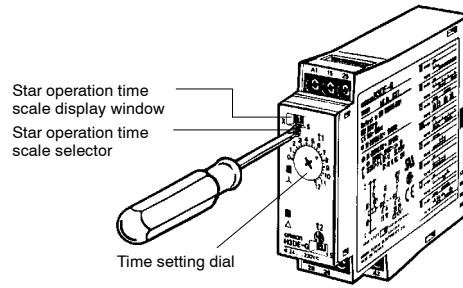
Time Unit Setting

The star-delta transfer time is set to 0.05, 0.1, 0.25 or 0.5 with the star-delta transfer time selector on the lower-right side of the front panel and the set value appears in the star-delta transfer time display window below the selector.



Time Scale Selection

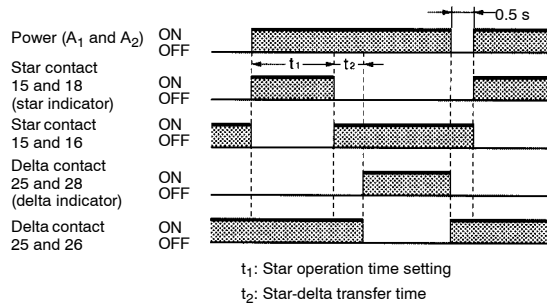
The star operation time scale selector on the upper-left side of the front panel can be set to 1 or 10 as a magnification.



Time Setting

The operation time of the Timer is set with the time setting dial.

■ TIMING CHART

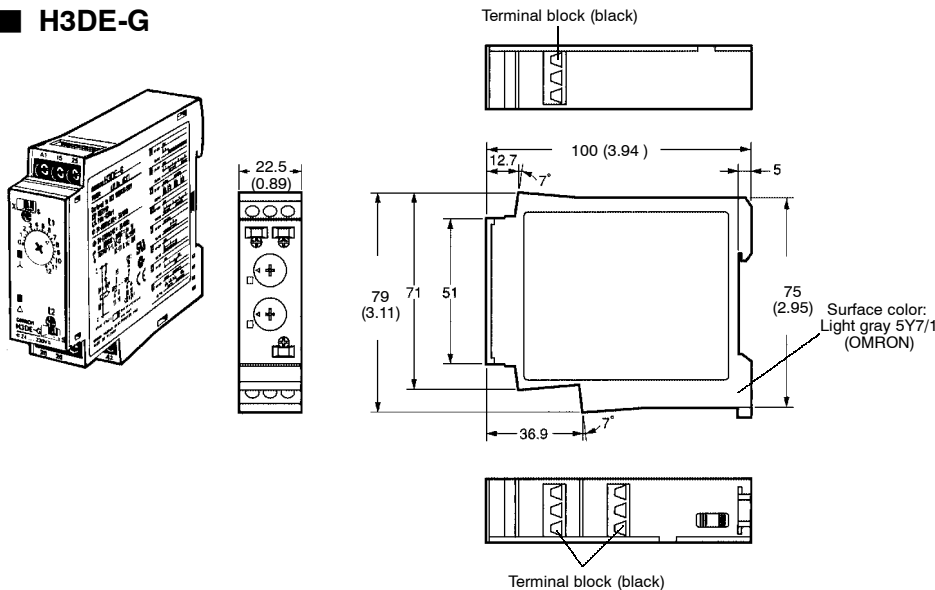


Note: The reset time requires a maximum of 0.5 s.

Dimensions

Unit: mm (inch)

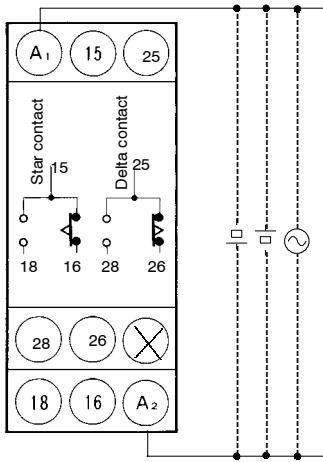
■ H3DE-G



Installation

■ TERMINAL ARRANGEMENT

Note: DC supply voltage does not require the designation of polarity.

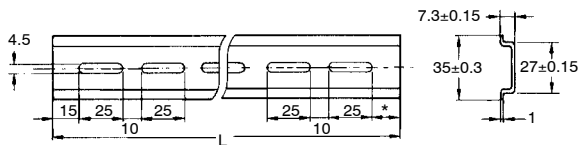
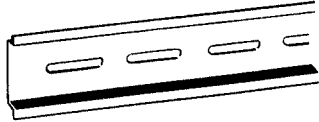


Accessories (Order Separately)

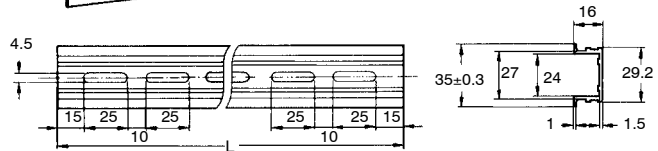
Unit: mm (inch)

■ DIMENSIONS

Mounting Track PFP-100N, PFP-50N



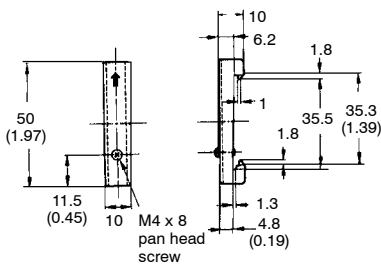
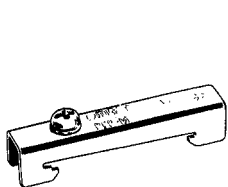
PFP-100N2



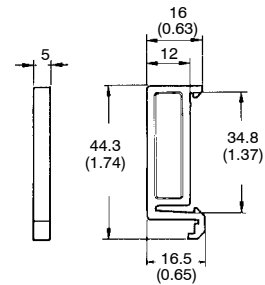
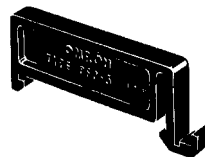
L: Length

1 m	39.37 in	PFP-100N
50 cm	19.69 in	PFP-50N
1 m	39.37 in	PFP-100N2

End Plate PFP-M



Spacer PFP-S



Precautions

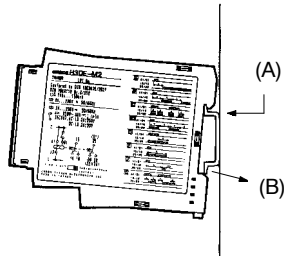
SETTING CHANGES

Note: To avoid malfunction, do not change the time unit, time scale, operating mode, or output type selector switch while the Timer is in operation.

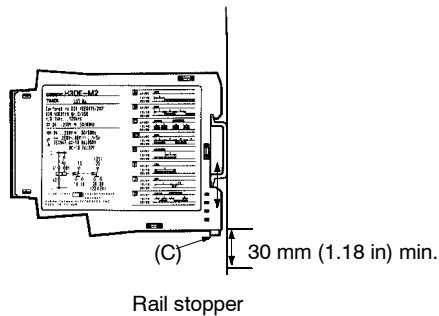
MOUNTING/REMOVING

The H3DE should be mounted as horizontally as possible.

When mounting the H3DE on a socket mounting track, hook portion (A) of the Timer to an edge of the track first, and then depress the Timer in the direction of (B).



When removing the H3DE, pull out portion (C) with a flat-blade screwdriver and remove the Timer from the mounting track.



The H3DE can be mounted and removed easily if a distance of 30 mm (1.18 in) or more is kept between the H3DE and the top surface of other equipment located below the H3DE.

POWER SUPPLIES

The H3DE Series is provided with a transformerless power supply system. An electric shock may be received if the input terminal or the output type selector switch is touched while power is being supplied.

Use the bar terminal for wiring the H3DE. Using a stranded-wire terminal may cause a short-circuit due to a stray wire entering into the Timer.

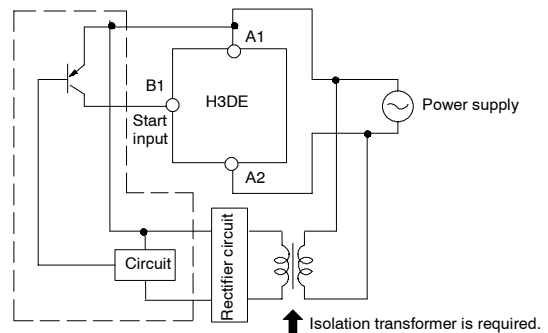
Both AC and DC power supplies can be connected to the power input terminals without regarding polarity.

With the H3DE only, a DC power supply must be connected to the power input terminals as designated according to the polarity of the terminals.

A DC power supply can be connected if its ripple factor is 20% or less and the mean voltage is within the rated operating voltage range of the Timer.

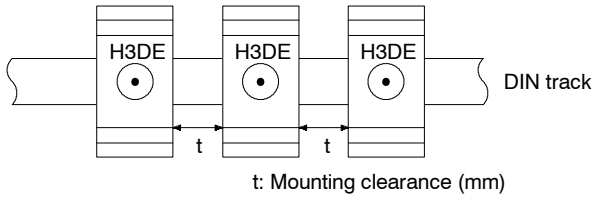
Connect the power supply voltage through a relay or switch in such a way that the voltage reaches a fixed value at once or the Timer may not be reset or a timer error could result.

For the power supply of an input device, use an isolating transformer, of which the primary and secondary windings are mutually isolated and the secondary winding is not grounded.

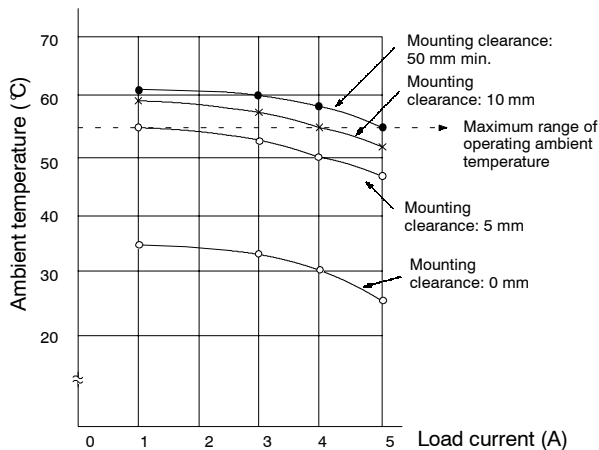


■ MOUNTING CLEARANCE

If the load current is continuously being supplied to the Timer for a long period of time, be sure to provide the mounting clearance as shown in the figure below. If used under conditions without this mounting clearance, an excessive rise in the internal temperature of the components may result in a shortened component life.

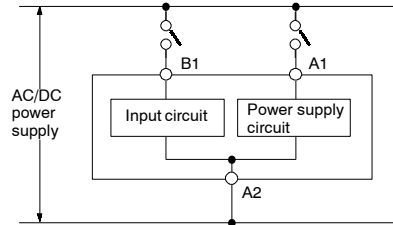


■ SWITCHING CURRENT VS. AMBIENT TEMPERATURE (WHEN MOUNTING TWO OR MORE H3DE UNITS SIDE-BY-SIDE)



■ INPUT/OUTPUT

Relationship Between Input and Power Supply Circuits



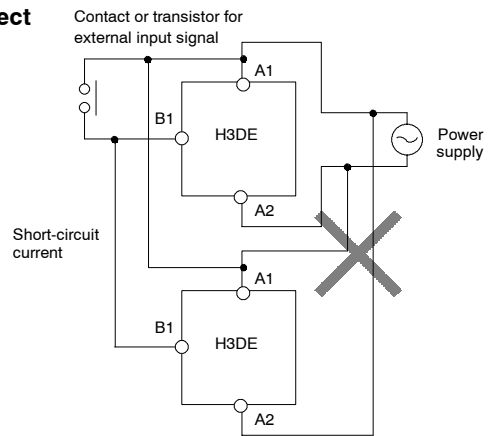
Since the input circuit and the power supply circuit are configured independently, the input circuit can be turned on or off irrespective of the on/off state of the power supply. Note that a voltage equivalent to the power supply voltage is applied to the input circuit.

A Relay or Transistor as an External Signal Input Device

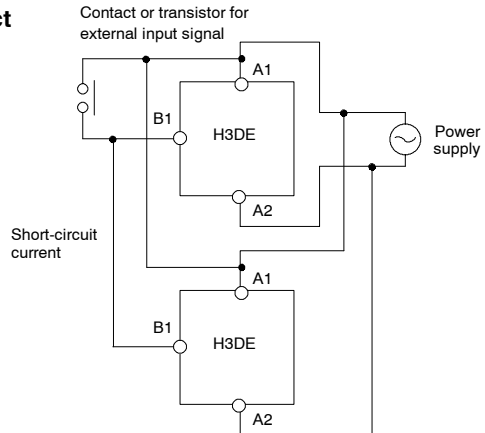
When connecting a relay or a transistor as an external signal input device, consider the following points (exemplified in the diagrams that follow) to prevent short-circuiting due to a sneak current to the transformerless power supply.

If a relay or transistor is connected to two or more Timers, the input terminals of those Timers must be wired properly so that they will not be different in phase, or the terminals will be short-circuited to one another (refer to the figures below).

Incorrect



Correct



The H3DE Series is provided with a transformerless power supply system.

■ INPUT WIRES

The input wires must be as short as possible. If the floating capacity of wires exceeds 2,000 pF (approx. 17 m for cables with 120 pF/m), the operation will be affected. This is particularly important to note when using shielded cables.

■ VDE CONFORMANCE

The H3DE as a built-in timer conforms to VDE 0435/P2021 provided that the following conditions are satisfied:

The output section of the H3DE is provided only with basic isolation. To ensure reinforced isolation required by the VDE standards, provide supplementary basic isolation on the load side connected to the output.

The H3DE itself is designed according to the following:

- Overvoltage category III
- Pollution degree 2

The following facts are based on the above standards:

- Operation parts on the front and bottom: Reinforced isolation with clearance of 5.5 mm and creepage distance of 5.5 mm at 230 VAC
- Output: Basic isolation with clearance of 3 mm and creepage distance of 3 mm at 230 VAC

■ ENVIRONMENT

When using the Timer in an area with excess electronic noise, separate the Timer, wiring, and the equipment which generates the input signals as far as possible from the noise sources. To further prevent electronic interference, shield the input signal wiring.

Organic solvents (such as paint thinner), as well as very acidic or basic solutions, can damage the outer casing of the Timer.

Do not use the Timer in places where it is exposed to dust, corrosive gas, or direct sunlight.

When storing the Timer, ensure that the ambient temperature and humidity are within the rated values. Leave the Timer at room temperature for at least three hours before using the Timer if it has been stored at an ambient temperature of -10°C or below.

■ RELAY LIFE EXPECTANCY

Built-in relay for the H3DE: G6RN; 50,000 operations min. (8 A at 250 VAC, resistive load at 360 operations/h.)

NOTE: DIMENSIONS SHOWN ARE IN MILLIMETERS. To convert millimeters to inches divide by 25.4.

OMRON[®]
OMRON ELECTRONICS LLC
One East Commerce Drive
Schaumburg, IL 60173
1-800-55-OMRON

OMRON ON-LINE
Global - <http://www.omron.com>
USA - <http://www.omron.com/oei>
Canada - <http://www.omron.com/oci>

OMRON CANADA, INC.
885 Milner Avenue
Scarborough, Ontario M1B 5V8
416-286-6465