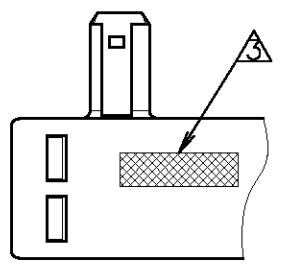
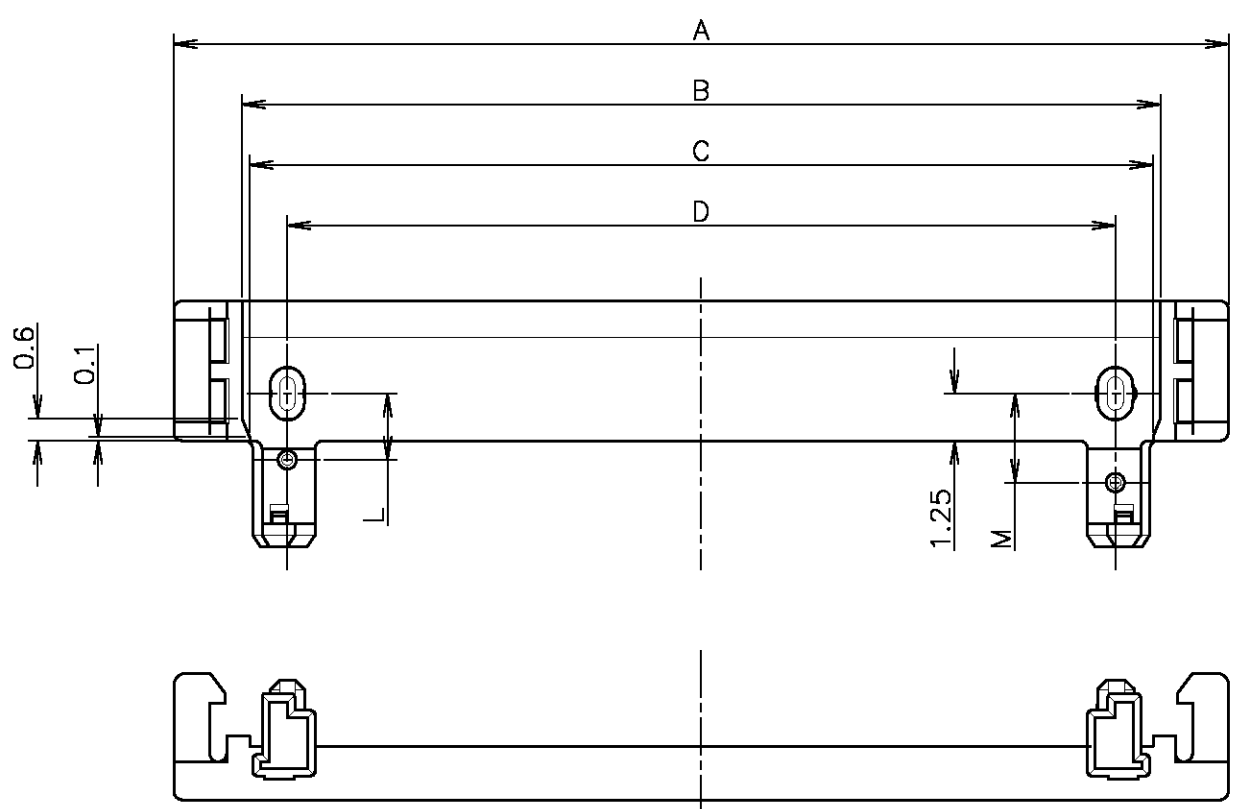
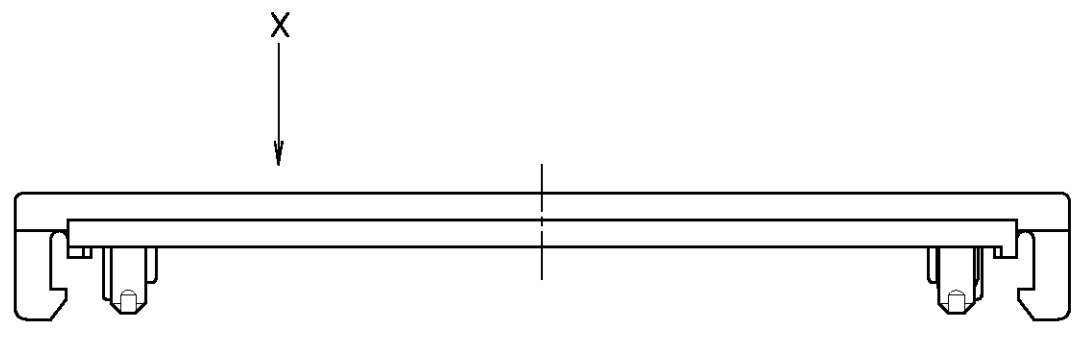


THIS DRAWING IS UNPUBLISHED. RELEASED FOR PUBLICATION
 © COPYRIGHT - By - ALL RIGHTS RESERVED.

LOC	DIST	REVISIONS					
J		P	LTR	DESCRIPTION	DATE	DWN	APVD
		D		REVISED PER ECR-11-002357	05MAY11	TT	TM




VIEW X



NOTE
 1 GENERAL TOLERANCE : $\pm 0.3, \pm 3^\circ$
 MATERIAL
 PBT(GRAY, BLACK)
 tyco MARK

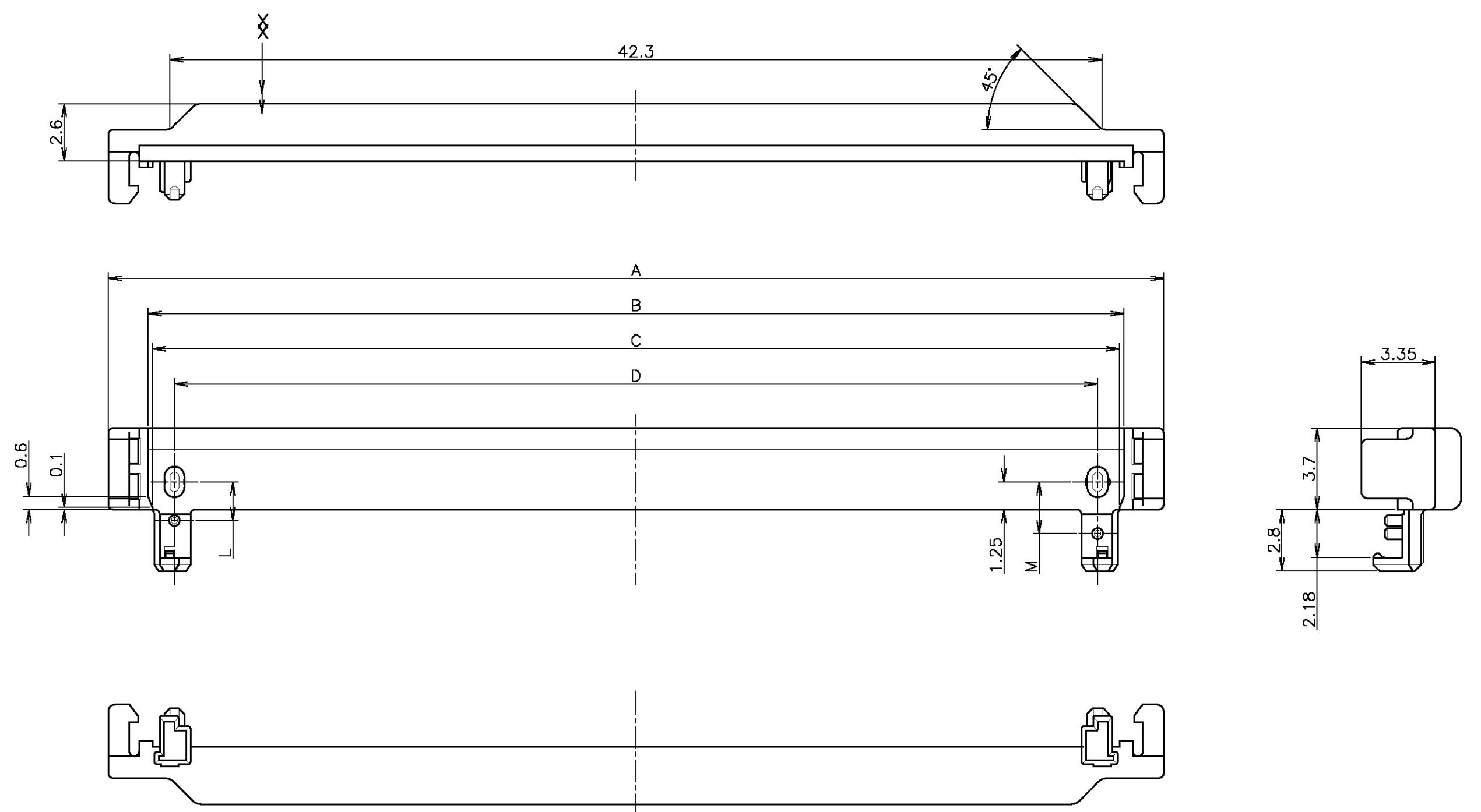
①	OBSOLETE	BLACK	1.75	2.35	21.9	23.9	24.3	27.9	40	1871338-7	COVER A-40 REVERSE TYPE
①	OBSOLETE	BLACK	2.35	1.75	21.9	23.9	24.3	27.9	40	1871338-6	COVER A-40 NORMAL TYPE
①	OBSOLETE	BLACK	2.35	1.75	41.9	43.9	44.3	47.9	80	1871338-5	COVER A-80 NORMAL TYPE
①	OBSOLETE	BLACK	1.75	2.35	21.9	23.9	24.3	27.9	40	1871338-3	COVER A-40 REVERSE TYPE
①	OBSOLETE	GRAY	2.35	1.75	41.9	43.9	44.3	47.9	80	1871338-2	COVER A-80 NORMAL TYPE
①	OBSOLETE	GRAY	2.35	1.75	21.9	23.9	24.3	27.9	40	1871338-1	COVER A-40 NORMAL TYPE
		COLOR	M	L	D	C	B	A	POS	PART NUMBER	NAME

1871338-1,-2,-3,-6,-7 : AS SHOWN

THIS DRAWING IS A CONTROLLED DOCUMENT.		DWN T. SEKINE 29NOV05	 TE Connectivity	
DIMENSIONS: 単位: 耗 mm		CHK T. FUTATSUGI 29NOV05		
TOLERANCES UNLESS OTHERWISE SPECIFIED: 一般公差		APVD Y. YAMAMOTO 29NOV05	NAME 名称 FFC EASY MATING CONNECTOR, 0.5mm PITCH COVER A	
0 PLC ± 1 PLC ± 2 PLC ± 3 PLC ± 4 PLC ± ANGLES ±		PRODUCT SPEC 製品規格 108-78322	RESTRICTED TO	
MATERIAL 材料		APPLICATION SPEC 取付適用規格 411-78220	SIZE A3	CAGE CODE 00779
FINISH 仕上		WEIGHT	DRAWING NO 番号 C-1871338	
①		CUSTOMER DRAWING		SCALE 尺度 5:1
				SHEET 1 OF 3
				REV D

THIS DRAWING IS UNPUBLISHED. RELEASED FOR PUBLICATION
 © COPYRIGHT - By - ALL RIGHTS RESERVED.

LOC J	DIST	REVISIONS 変更		
P	LTR	DESCRIPTION	DATE	DWN
	-	SEE SHEET 1	-	-
				APVD



1871338-5 : AS SHOWN

THIS DRAWING IS A CONTROLLED DOCUMENT.		DWN	TE Connectivity	
DIMENSIONS: 单位: 耗 mm		CHK		
TOLERANCES UNLESS OTHERWISE SPECIFIED: 一般公差		APVD	NAME 名称 FFC EASY MATING CONNECTOR,0.5mm PITCH COVER A	
0 PLC ±		PRODUCT SPEC 製品規格	SIZE	CAGE CODE
1 PLC ±		APPLICATION SPEC 取付適用規格	A3	00779
2 PLC ±		WEIGHT	DRAWING NO 番号	C-1871338
3 PLC ±		CUSTOMER DRAWING	RESTRICTED TO	
4 PLC ±			SCALE 尺度	5:1
ANGLES ±			SHEET	2 OF 3
FINISH 仕上			REV	D
MATERIAL 材料				

