

General Specifications

Motor Structure: Shaded Pole Induction Motor
 Motor Protection: Impedance Protection
 Insulation Resistance:
 10M Ω or over with a DC500V Megger
 Dielectric Withstand Voltage: AC 700V 1s
 Allowable Ambient Temperature Range:
 -10°C ~ +70°C (Operating)
 -40°C ~ +70°C (Storage)
 (non-condensing environment)

Expected Life

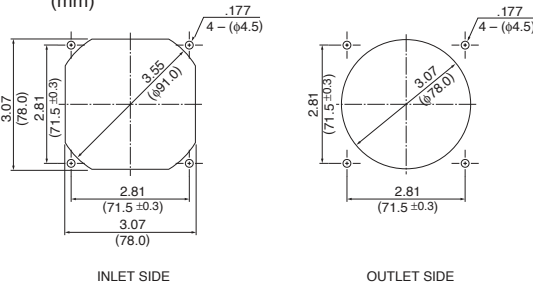
Failure Rate: 10%
 25°C 100,000 Hours

Material

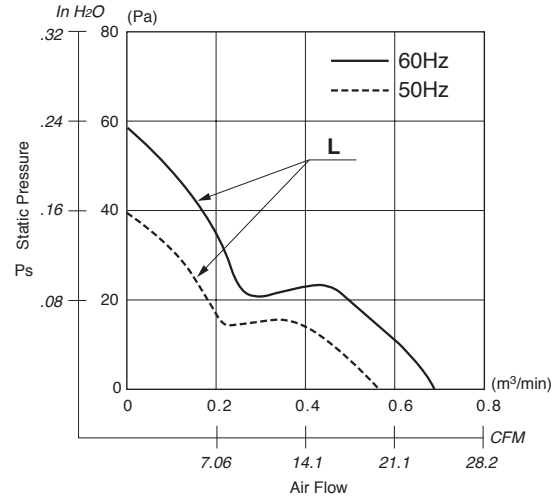
Casing : Aluminum (Black Painting)
 Impeller : Plastic (Black) UL94V-0
 Bearing : Ball Bearing
 Lead Wire : UL3266, AWG22

Panel Cut-Outs

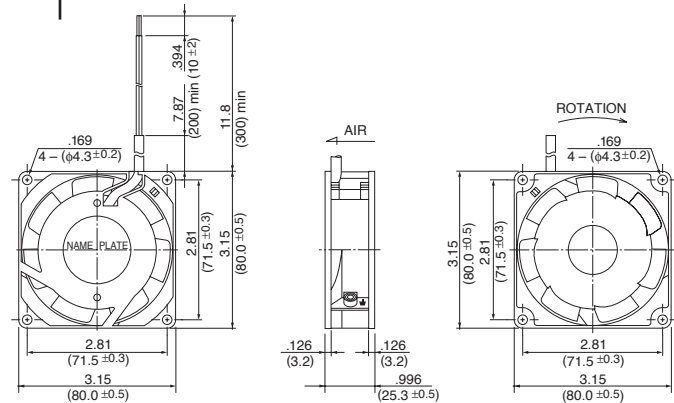
Units: inch (mm)



Characteristic Curves



Outline



Specifications

MODEL	LEGACY P/N	Rated Voltage	Frequency	Starting Voltage	Current	Input Power	Speed	Max. Air Flow		Max. Static Pressure		Noise	Mass
		(V)	(Hz)	(V)	(A) ^{*1}	(W)	(min ⁻¹) ^{*2}	CFM ^{*1}	(m ³ /min) ^{*2}	in H ₂ O	(Pa) ^{*2}	(dB) ^{*2}	(g)
08025MB-A0L-AA-00	3110MS-10W-B30-B00	100	50	65	0.13	8.00	2500	20.1	0.57	.15	39.0	24.0	240
		100	60	65	0.11	6.50	3000	24.0	0.68	.22	55.0	31.0	240
** 08025MB-A1L-AA-00	3110MS-12W-B30-A00	115	50	75	0.11	8.00	2500	20.1	0.57	.15	39.0	24.0	240
		115	60	75	0.09	6.50	3000	24.0	0.68	.22	55.0	31.0	240
08025MB-A1L-CA-00	3110MS-12W-B30-AM0	115	50	75	0.11	8.00	2500	20.1	0.57	.15	39.0	24.0	240
		115	60	75	0.09	6.50	3000	24.0	0.68	.22	55.0	31.0	240
** 08025MB-B0L-AA-00	3110MS-20W-B30-B00	200	50	130	0.06	7.00	2500	20.1	0.57	.15	39.0	24.0	240
		200	60	130	0.05	6.00	3000	24.0	0.68	.22	55.0	31.0	240
08025MB-B2L-AA-00	3110MS-22W-B30-B00	220	50	165	0.06	7.50	2500	20.1	0.57	.15	39.0	24.0	240
		220	60	165	0.05	6.50	3000	24.0	0.68	.22	55.0	31.0	240
** 08025MB-B3L-AA-00	3110MS-23W-B30-A00	230	50	180	0.05	7.50	2500	20.1	0.57	.15	39.0	24.0	240
		230	60	180	0.05	6.50	3000	24.0	0.68	.22	55.0	31.0	240
08025MB-B3L-CA-00	3110MS-23W-B30-AM0	230	50	180	0.05	7.50	2500	20.1	0.57	.15	39.0	24.0	240
		230	60	180	0.05	6.50	3000	24.0	0.68	.22	55.0	31.0	240
08025MB-B4L-AA-00	3110MS-24W-B30-A00	240	50	180	0.05	7.50	2500	20.1	0.57	.15	39.0	24.0	240
		240	60	180	0.05	6.50	3000	24.0	0.68	.22	55.0	31.0	240

Rotation: Counterclockwise Airflow Outlet: Air Out Over Struts
 ** Contact NMB for Availability

*1: Maximum Values in Free Air
 *2: Average Values in Free Air
 *3: Minimum Values in Free Air