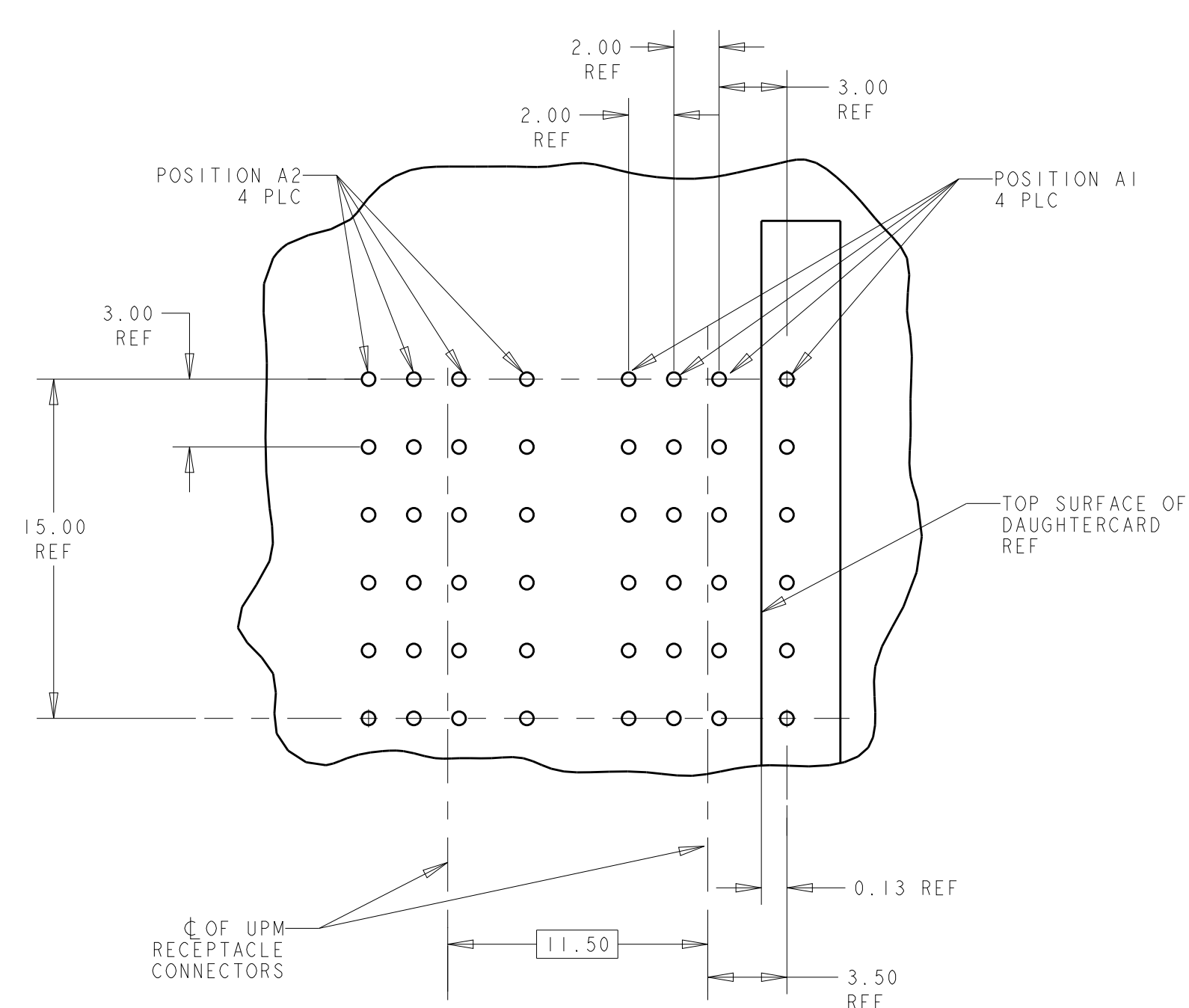
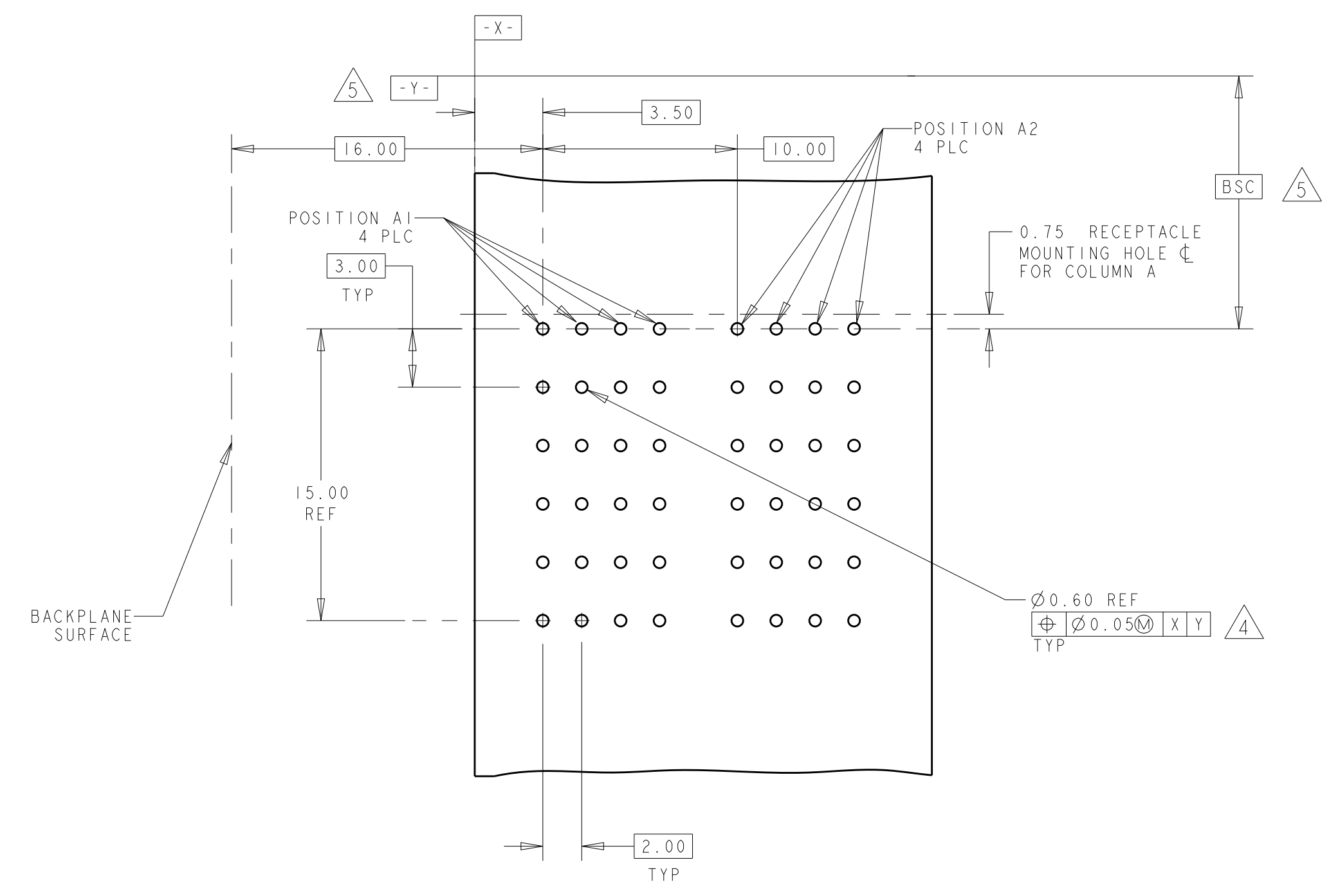
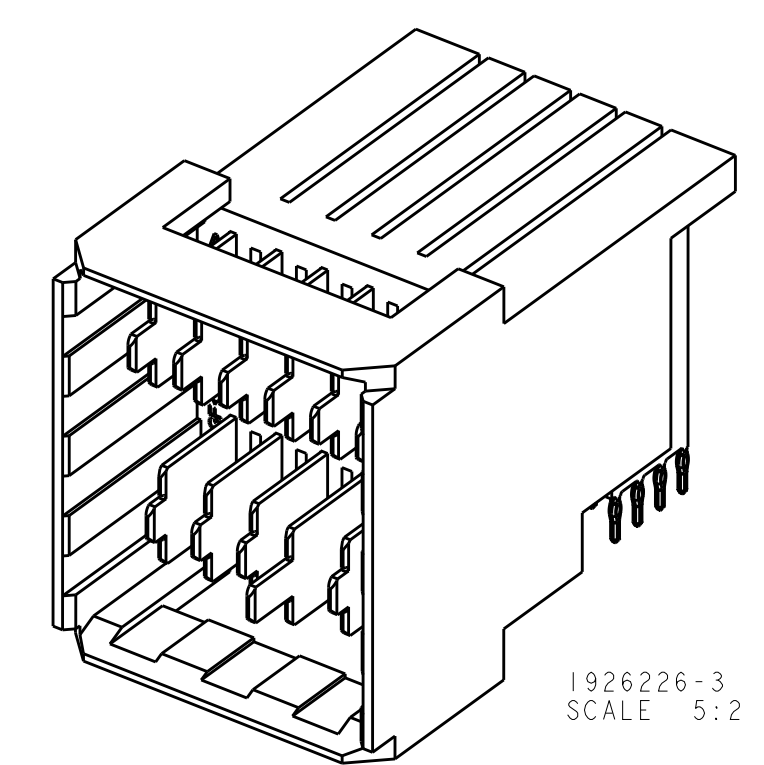
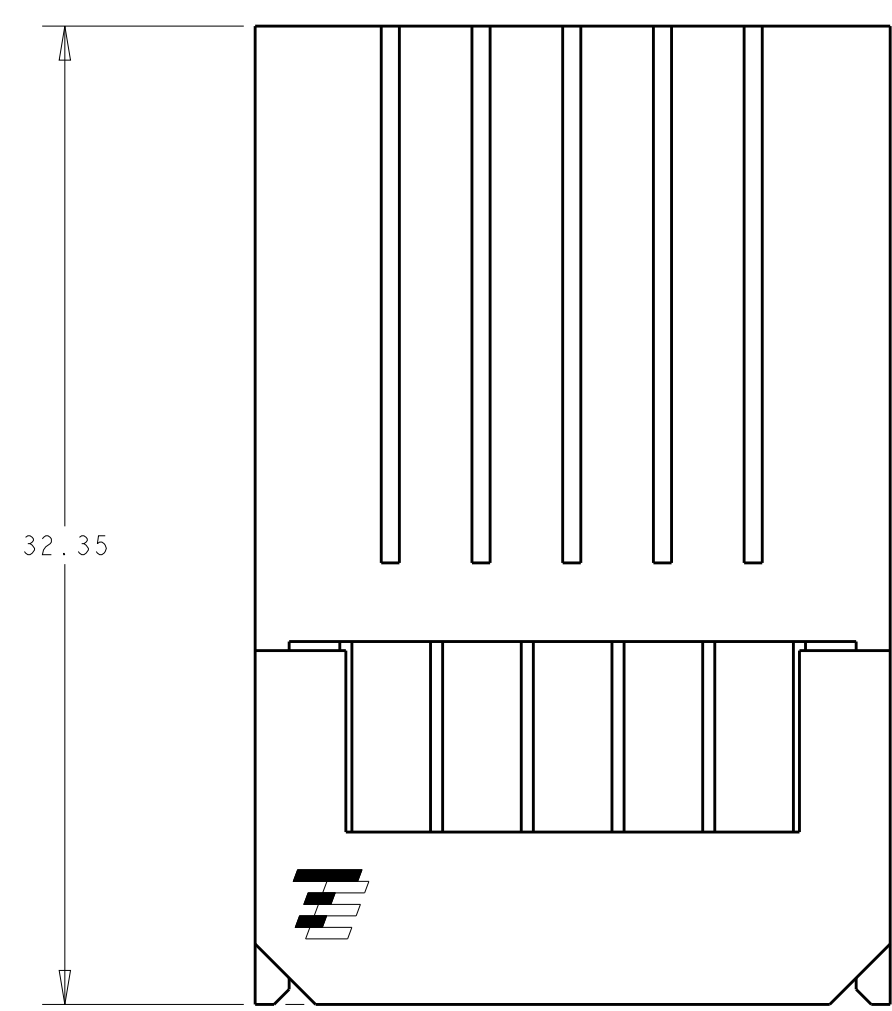


LOC	DIST	REVISIONS			
P	LTN	DESCRIPTION	DATE	DMN	APVD
GS	00	I	FIRST RELEASE	11OCT2012	OL SZ

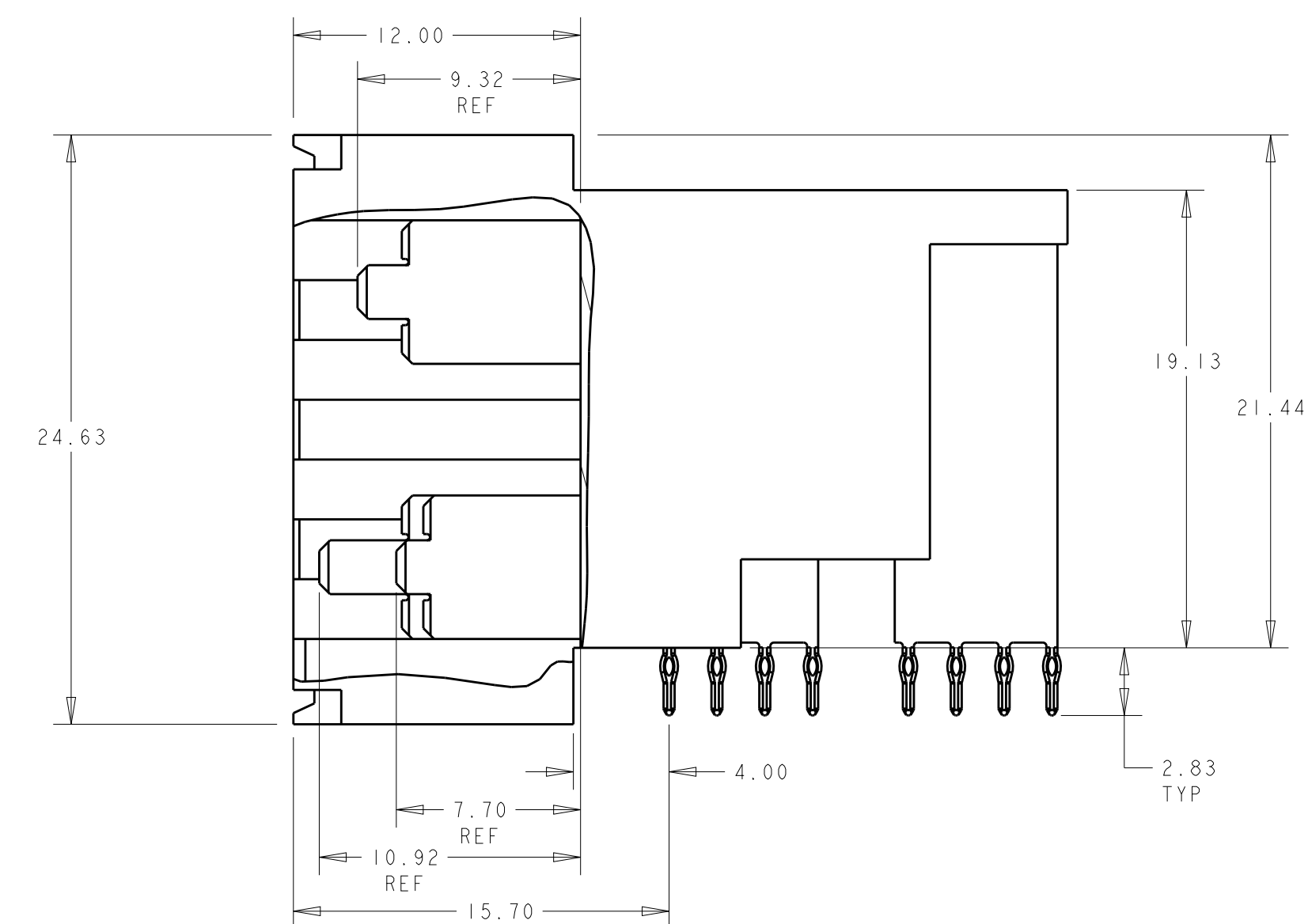
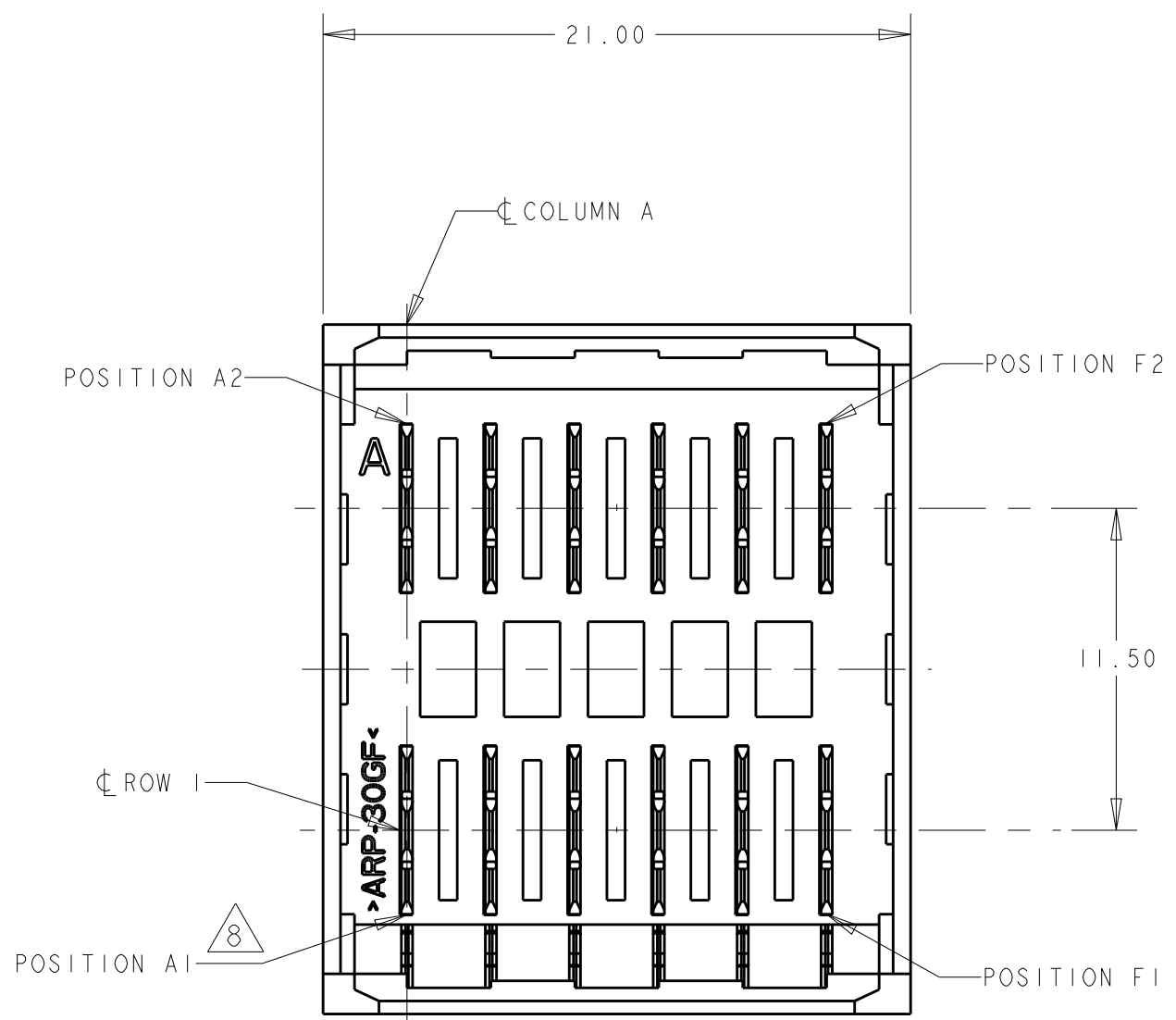
- 1 MATERIAL: HOUSING: POLYESTER. COLOR: BLACK, UL 94 V-0
CONTACT: COPPER ALLOY.
- 2 FINISH: CONTACT MATING AREA: 0.0076 mm MIN GOLD PLATE OVER 0.00127 mm MIN NICKEL, OR 0.0005 mm MIN GOLD OVER 0.00064 mm PALLADIUM-NICKEL OVER 0.00127 mm MIN NICKEL.
COMPLIANT TAIL AREA: 0.0005 mm MIN BRIGHT TIN PLATE OVER 0.00127 mm NICKEL UNDERPLATE.
- 3 TAILS OF MATING UPM STYLE RECEPTACLE ARE OFFSET BY .75 mm FROM TAILS OF THIS CONNECTOR. SEE CUSTOMER DRAWING 120992 FOR RECEPTACLE EXAMPLE. SEE APPLICATION SPEC 114-1103 FOR MORE DETAILED DESCRIPTION OF THE TAIL OFFSETS.
- 4 PC BOARD HOLE SPECIFICATIONS:
DRILLED HOLE SIZE: 0.700±0.02 mm
FINISHED HOLE SIZE: 0.60±0.05 mm
PLATING THICKNESS:
0.025 - 0.050 mm COPPER
0.004 - 0.010 mm HASL TIN
0.0005 mm MIN IMMERSION TIN
0.0002 - 0.0005 mm OSP
0.0001mm MIN IMMERSION SILVER
0.0001-0.0005 mm IMMERSION GOLD OVER 0.004-0.005 mm NICKEL
- 5 DATUM AND BASIC DIMENSIONS ESTABLISHED BY CUSTOMER.
- 6 MINIMUM REQUIRED PC BOARD THICKNESS IS 1.4mm.
- 7 CONTACT AREA LUBRICATED WITH BELLCORE APPROVED LUBRICANT. TECHNICAL REFERENCE GR-1217-CORE, ISSUE 1 NOVEMBER 1995.
- 8 POSITION A1 IS AT MATERIAL ID.



MATING RECEPTACLE PCB LAYOUT 3



RECOMMENDED PCB LAYOUT 6



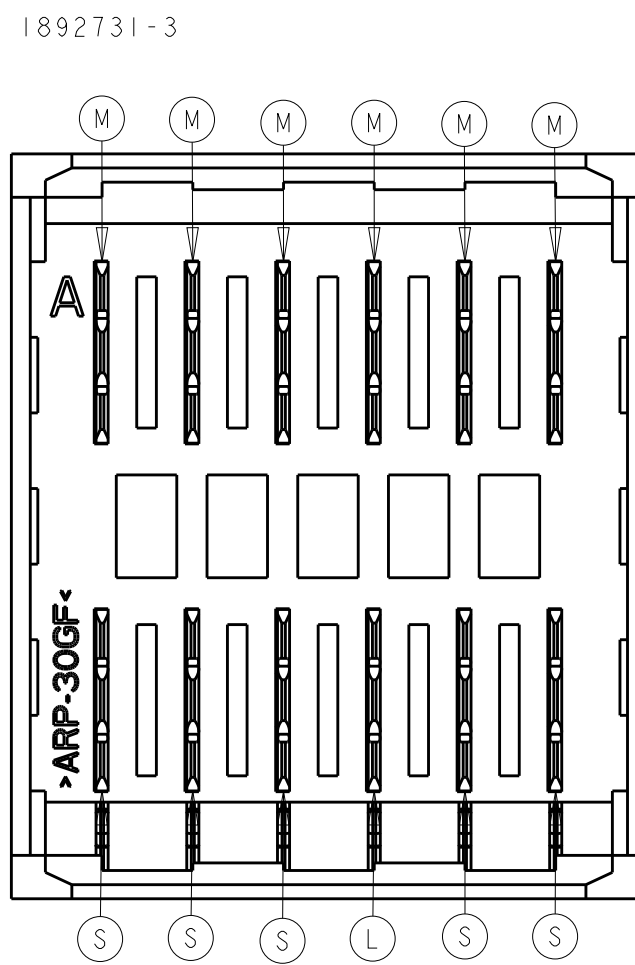
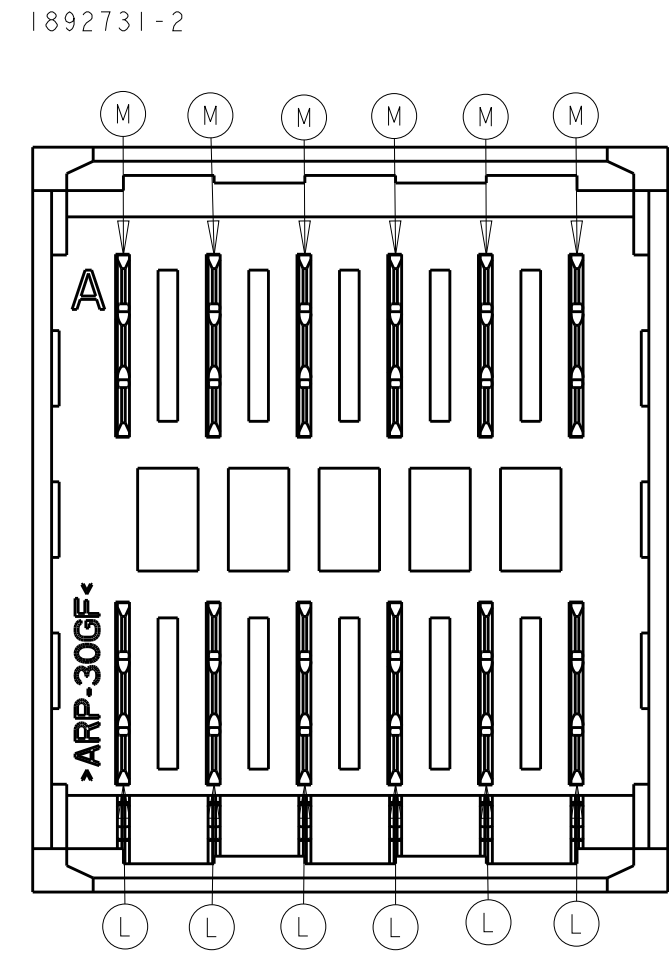
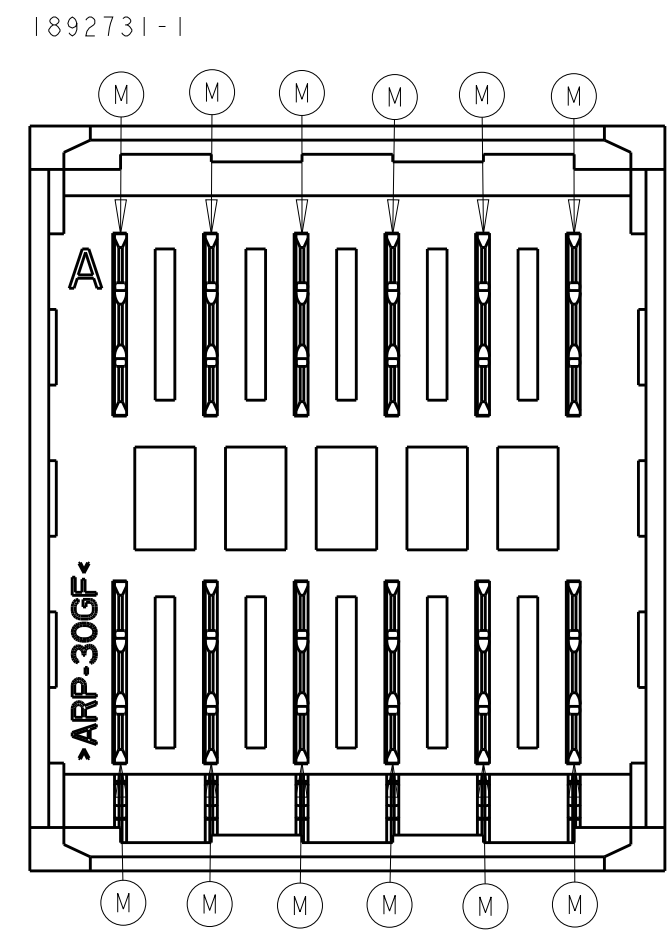
D1	A2,B2,C2,D2,E2,F2	A1,B1,C1,E1,F1	1892731-3
A1,B1,C1,D1,E1,F1	A2,B2,C2,D2,E2,F2	-	1892731-2
-	ALL	-	1892731-1
POSITIONS LOADED WITH LONG 10.92 REF CONTACTS	POSITIONS LOADED WITH MIDDLE 9.32 REF CONTACTS	POSITIONS LOADED WITH SHORT 7.70 REF CONTACTS	PART NO

DIMENSIONS:		TOLERANCES UNLESS OTHERWISE SPECIFIED:		DWG: 11OCT2012		CHK: ORANDO LL		11OCT2012		Tyco Electronics Harrisburg, PA 17105-3608	
mm	0 PLC ±.25	1 PLC ±.25	2 PLC ±.25	3 PLC ±.25	4 PLC ±.25	ANGLES ±1°	FINISH 2	PRODUCT SPEC 108-2289	APPLICATION SPEC 114-13269	WEIGHT	Customer Drawing
MATERIAL 1		FINISH 2		DWG: 11OCT2012		CHK: SUNY ZHAO		11OCT2012		Tyco Electronics Harrisburg, PA 17105-3608	
NAME		ASSEMBLY, RIGHT ANGLE CONNECTOR		MINIPAK HDE		2X6 POSITION		SIZE		RESTRICTED TO	
CAGE CODE		DRAWING NO		SCALE		SHEET		OF		REV	
A1100779		C=1892731		3:1		1		2		1	

THIS DRAWING IS UNPUBLISHED. RELEASED FOR PUBLICATION 20
 COPYRIGHT 20 BY TYCO ELECTRONICS CORPORATION. ALL RIGHTS RESERVED.

LOC		DIST		REVISIONS			
GS	00	P	LTH	DESCRIPTION	DATE	DWN	APVD
		-		SEE SHEET 1	-	-	-

SEQUENCE LOADING PATTERNS VIEWED INTO MATING FACE OF CONNECTOR



<small>THIS DRAWING IS UNPUBLISHED. RELEASED FOR PUBLICATION 20. COPYRIGHT 20 BY TYCO ELECTRONICS CORPORATION. ALL RIGHTS RESERVED.</small> <small>IT IS THE POLICY OF TYCO ELECTRONICS CORPORATION TO CONTROL THE DISTRIBUTION OF THIS DRAWING TO THE EXTENT NECESSARY TO PROTECT THE COMPANY'S INTERESTS. UNLESS OTHERWISE SPECIFIED, THIS DRAWING IS THE PROPERTY OF TYCO ELECTRONICS CORPORATION AND IS NOT TO BE REPRODUCED OR TRANSMITTED IN ANY FORM OR BY ANY MEANS, ELECTRONIC OR MECHANICAL, INCLUDING PHOTOCOPYING, RECORDING, OR BY ANY INFORMATION STORAGE AND RETRIEVAL SYSTEM, WITHOUT THE WRITTEN PERMISSION OF TYCO ELECTRONICS CORPORATION.</small>		DWN: ORANDO LL 17OCT2012 CHK: OL 17OCT2012 APVD: SUNY ZHAO 17OCT2012	Tyco Electronics Harrisburg, PA 17105-3608
DIMENSIONS: mm	TOLERANCES UNLESS OTHERWISE SPECIFIED: 0 PLC ±. 1 PLC ±.25 2 PLC ±.25 3 PLC ±. 4 PLC ±. ANGLES ±1°	NAME: ASSEMBLY, RIGHT ANGLE CONNECTOR MINIPAK HDE 2X6 POSITION PRODUCT SPEC: 108-2289 APPLICATION SPEC: 114-13269 WEIGHT: -	SIZE: A CAGE CODE: 00779 DRAWING NO: 1892731 RESTRICTED TO: -
MATERIAL: Customer Drawing		SCALE: 4:1	SHEET: 2 OF 2 REV: 1