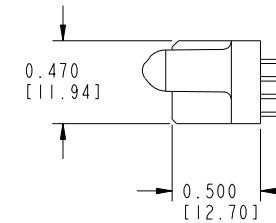
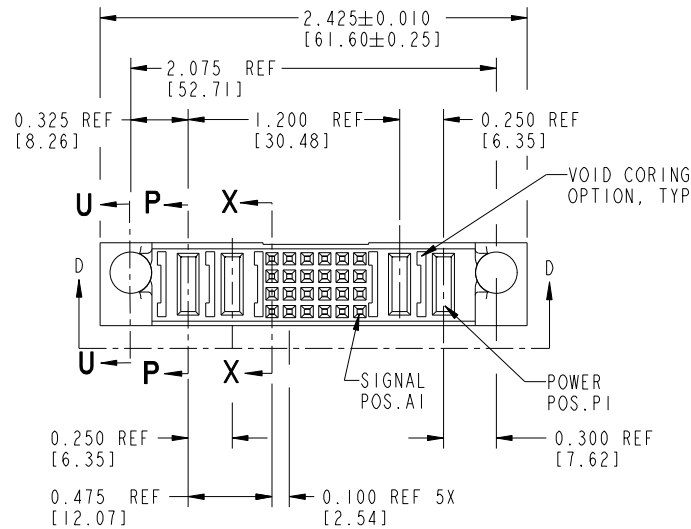
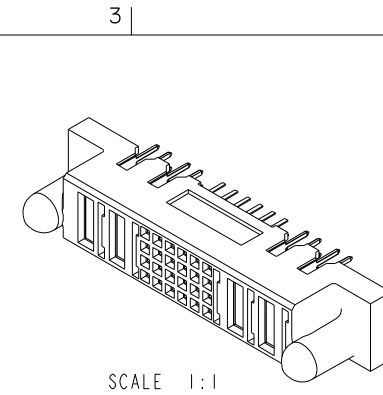
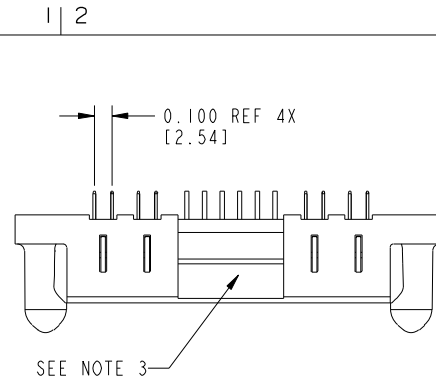


Tous droits strictement reserves. Reproduction ou communication a des tiers interdite sous quelque forme que ce soit sans autorisation écrite du propriétaire. Propriete de c FCI. Droits de reproduction FCI.



All rights strictly reserved. Reproduction or issue to third parties in any form whatever is not permitted without written authority from the proprietor. Property of FCI. Copyright FCI.

PRODUCT NUMBER
51426-001--
NOTE: (2)



mat'l code				SEE NOTES		tolerances unless otherwise specified		CUSTOMER COPY		FCI www.fciconnect.com	
ltr	ecn no.	dr	date	linear	.XX ±.01/.X ±.3		projection			title 2P + 24S + 2P VERTICAL SOLDER RECEPTACLE	
A	V91744	SAR	02/17/00		.XXX ±.005/.XX ±.13						
B	V01583	EKK	07-12-00	angles	.XXX ±.0020/.XXX ±.051				product family PwrBlade code 213		
C	DG05-0238	SJ	07/24/05		0° ± 2°						
D	DG06-0373	LJC	09/05/06	dr	LEV4	01-18-99	scale 1:1 A		size dwg no 51426 sheet 1 of 4		
				enrg	J. BROWN	01-29-99					
				chr	J. BROWN	01-18-99					
				appd	J. BROWN	02-17-00					
sheet index	revision sheet	D	D	D	D	D					
		1	2	3	4						

THIS FILE WAS ORIGINALLY CREATED IN THE PRO ENGINEER ENVIRONMENT AND ANY FUTURE REVISIONS TO THIS FILE MUST BE MADE IN THE PRO ENGINEER ENVIRONMENT

1 | 2

Pro/E

3 |

cage code 22526

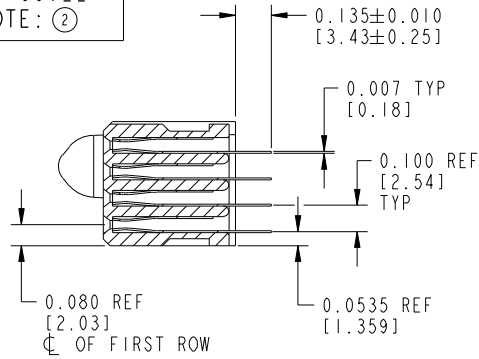
4

Tous droits strictement réservés. Reproduction ou communication à des tiers interdite sous quelque forme que ce soit sans autorisation écrite du propriétaire. Propriété de c.FCI. Droits de reproduction FCI.

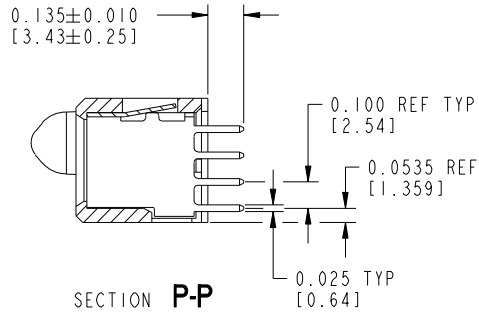


All rights strictly reserved. Reproduction or issue to third parties in any form whatever is not permitted without written authority from the proprietor. Property of FCI. Copyright FCI.

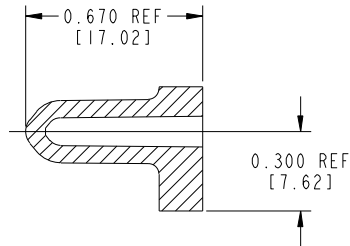
PRODUCT NUMBER
51426-001--
NOTE: ②



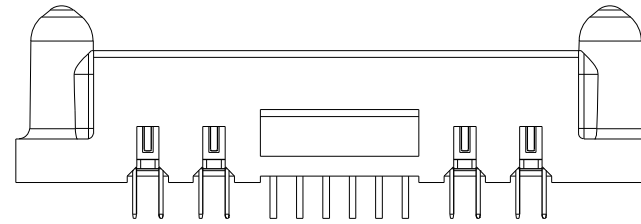
SECTION X-X



SECTION P-P



SECTION U-U



VIEW D-D

mat'l code				tolerances unless otherwise specified		CUSTOMER COPY		FCI www.fciconnect.com	
ltr	ecn no.	dr	date	linear	.XX ±.01/.X ±.3	projection		title	
D					.XXX ±.005/.XX ±.13			2P + 24S + 2P VERTICAL SOLDER RECEPTACLE	
				angles	.XXX ±.0020/.XXX ±.051			product family	PwrBlade
				dr	LEV4	01-18-99	IN/MM	size	213
				enrg	J. BROWN	01-29-99	scale	dwg no	2 of 4
				chr	J. BROWN	01-18-99		3:2	51426
				appd	J. BROWN	02-17-00			2 of 4
sheet index	revision sheet								

cage code 22526

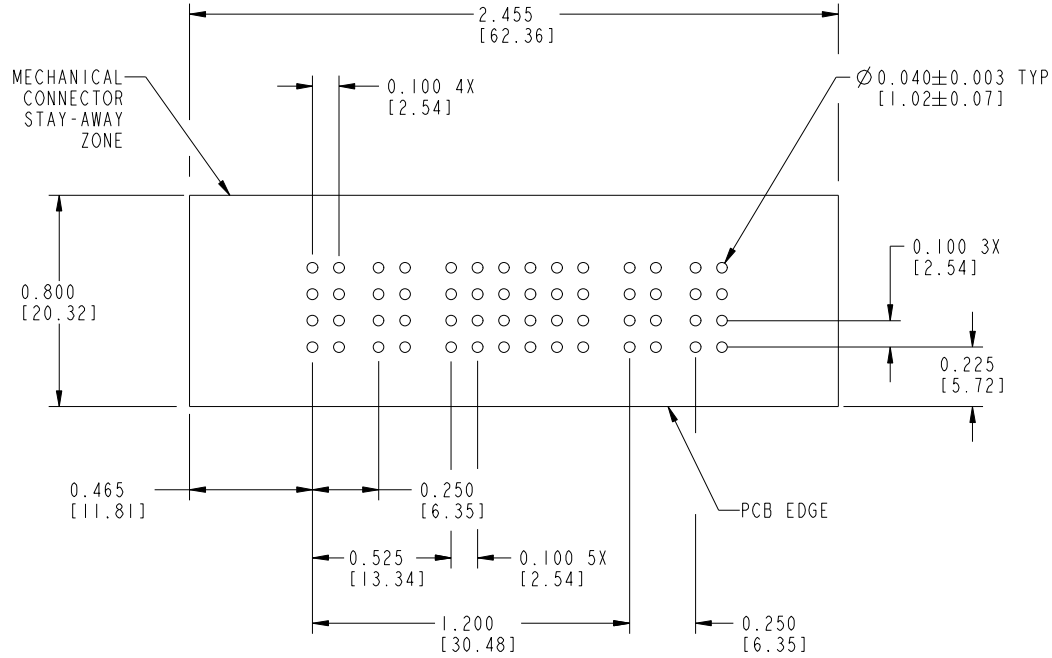
Pro/E

Tous droits strictement réservés. Reproduction ou communication à des tiers interdite sous quelque forme que ce soit sans autorisation écrite du propriétaire. Propriété de c FCI. Droits de reproduction FCI.



All rights strictly reserved. Reproduction or issue to third parties in any form whatever is not permitted without written authority from the proprietor. Property of FCI. Copyright FCI.

PRODUCT NUMBER
51426-001--
NOTE: ②



RECOMMENDED PCB LAYOUT

mat'l code				tolerances unless otherwise specified		CUSTOMER COPY		FCI www.fciconnect.com	
ltr	ecn no.	dr	date	linear	.XX ± .01 / .X ± .3	projection		title	
D					.XXX ± .005 / .XX ± .13			2P + 24S + 2P VERTICAL SOLDER RECEPTACLE	
				angles	.XXX ± .0020 / .XXX ± .051			product family	
				dr	0° ± 2°	IN/MM		Pwr Blade	
				enr	LEV4 01-18-99	scale		code	
				chr	J. BROWN 01-29-99	1:1		213	
				appd	J. BROWN 02-17-00	A		sheet	
sheet index		revision sheet						3 of 4	

cage code 22526

Pro/E



All rights strictly reserved. Reproduction or issue to third parties in any form whatsoever is not permitted without written authority from the proprietor. Property of FCI. Copyright FCI.

Tous droits strictement reserves. Reproduction ou communication a des tiers interdite sous quelque forme que ce soit sans autorisation écrite du propriétaire. Propriete de c FCI. Droits de reproduction FCI.

PRODUCT NUMBER
51426-001--
NOTE: ②

CONNECTOR NOTES:

- ① HOUSING MATERIAL: GLASS FILLED HIGH TEMP THERMOPLASTIC, UL94V-0
SIGNAL CONTACT MATERIAL: COPPER ALLOY
POWER CONTACT MATERIAL: COPPER ALLOY
- ② 51426-001; 51426-001LF; 51426-001GLF PLATING SPEC. SEE PRINT: 10064183
3. MANUFACTURER NAME, P/N, AND DATE CODE TO APPEAR ON THIS SURFACE.

PCB NOTES:

4. ALL DIMENSIONS ARE BASIC UNLESS OTHERWISE SPECIFIED
5. ALL THROUGH HOLES ARE LOCATED WITH A TRUE POSITION OF 0.004"
6. ALL DIAMETERS ARE FINISHED HOLE SIZES
7. $\varnothing 0.0453/1.151$ DRILLED HOLES: PLATED WITH 0.0003/0.007 MIN. SnPb OR Sn OVER 0.001/1.03 TO 0.003/0.08 Cu PLATING TO ACHIEVE A $\varnothing 0.040 \pm 0.003/1.02 \pm 0.07$ HOLE

mat'l code				tolerances unless otherwise specified		CUSTOMER COPY		www.fciconnect.com	
ltr	ecr no.	dr	date	linear	.XX ± .01 / .X ± .3		projection	title 2P + 24S + 2P VERTICAL SOLDER RECEPTACLE	
D					.XXX ± .005 / .XX ± .13				
				angles	.XXX ± .0020 / .XXX ± .051			product family PRODUCT_FAMILY: 3 code 213 size dwg no 51426 sheet 4 of 4	
					$0^\circ \pm 2^\circ$				
		dr	LEV4	01-18-99	scale scale: 3 				
		enr	PROD_ENG: 3	DATE_ENGR: 3					
		chr	J. BROWN	01-18-99					
		appd	J. BROWN	02-17-00					
sheet index	revision sheet								

cage code 22526

Pro/E