

# TP SERIES

005438

Issue 3

## MICRO SWITCH Rocker Switches



### DESCRIPTION

Honeywell MICRO SWITCH TP rocker switches are designed for flush mount to the panel for a low profile button or above panel for a distinctive button appearance. The buttons are removable and interchangeable and are available in either a transparent plastic (to accept legend inserts), or translucent plastic. Colored opaque buttons are also available for color coding of switch functions, for example, a green button for a “start” or “run” function and a black button for general purpose. The 1-, 2-, or 4-pole rocker switches are furnished with two 6-32 internal locking threads in the rocker cover which will accept 6-32 machine screws for panel mounting. To maximize applications and minimize inventory, the TP rocker switches are readily available without buttons. Ordering the buttons separately permits them to be paired with switches containing the desired circuitry and number of poles.

### FEATURES

- 1, 2, or 4 poles
- 2- or 3-actuator positions with maintained or momentary action
- Standard silver alloy contacts for power-duty switching; gold-plated contacts for low energy/processor-based circuits (milliamps)
- Above panel or flush panel mounting
- Mounts to panels with two machine screws to maintain panel integrity
- Step-base design and barriers between poles minimizes possibility of electrical bridging
- Combination head terminal screws facilitate leadwire connections
- Rugged design
- Variety of opaque button colors or a transparent button that accepts legend inserts
- Wide temperature range: -54 °C to 71 °C [-65 °F to 160 °F]
- UL, CSA, CE and UKCA certified for global applications

### POTENTIAL APPLICATIONS

- Flight decks for commercial and business jets
- Control panels for industrial machinery and equipment
- Operator interface controls for marine vehicles
- Main and auxiliary control panels for road construction equipment
- Agriculture equipment

### VALUE TO CUSTOMERS

- 2- and 3-position maintained and momentary rocker switch actions
- Up to four poles per switch to provide control, signaling, and redundant circuits as required

### PORTFOLIO



Honeywell offers two Series of MICRO SWITCH rocker switches: TP Series and AML Series.

**Honeywell**

# MICRO SWITCH ROCKER SWITCHES, TP SERIES

**TABLE 1. SPECIFICATIONS**

| Characteristic           | Parameter   |
|--------------------------|---|
| Description              | commercial grade rocker switches  |
| Housing material         | glass-filled thermoplastic nylon 6/6  |
| Sealing                  | switch chamber sealed from environment  |
| Operating temperature    | -54 °C to 71 °C [-65 °F to 160 °F]  |
| Mounting                 | two 6-32 internal threads with lead-in and thread locking feature on 46 mm [1.81 in] centers panel cutout 38,4 mm x 23,9 mm [1.51 in x 0.94 in] |
| Switch/button action     | 2- or 3-position, maintained or momentary action  |
| Circuitry                | SPST, SPDT, DPST, DPDT, 4PST, 4PDT  |
| Termination              | screw (6-32 threads), quick-connect (6,35 mm [0.25 in]), and IWTS   |
| Contact material         | silver alloy or gold plated   |
| Electrical rating (amps) | up to 20 A resistive (see tables below)   |
| Approvals/certifications | CE, UKCA, CSA, UL   |

**TABLE 2. UL AND CSA ELECTRICAL RATINGS**

| Rating Code*      | Electrical Rating  |
|-------------------|--|
| L192 <sup>1</sup> | 10 A, 125, 250, 277 Vac; 1/4 HP, 125 Vac; 1/2 HP, 250, 277 Vac; 3 A, 125 Vac Lamp (Incandescent) |
| L191 <sup>2</sup> | 15 A, 125, 250, 277 Vac; 1/2 HP, 125 Vac; 1 Hp, 250, 277 Vac; 5 A, 125 Vac Lamp (Incandescent)   |

\* Reference order guides on pages 3 and 4.

<sup>1</sup> Any rocker switch with momentary button action.

<sup>2</sup> Rocker switch with maintained button action only.

**TABLE 3. ELECTRICAL RATINGS (AMPS)**

| Electrical Rating Code | 28 Vdc |      |      | 115 Vdc | 250 Vdc | 115 Vac, 60 & 400 Hz |      |      | 230 Vac |
|------------------------|--------|------|------|---------|---------|----------------------|------|------|---------|
|                        | Ind.   | Res. | Lamp | Res.    | Res.    | Ind.                 | Res. | Lamp | Res.    |
| 1                      | 15     | 20   | 5    | 0.75    | 0.5     | 10                   | 15   | 3    | 6       |
| 2                      | 10     | 15   | 4    | 0.75    | 0.5     | 7                    | 15   | 2    | 6       |
| 3                      | 15     | 20   | 7    | 0.75    | 0.5     | 15                   | 15   | 4    | 6       |
| 4                      | 10     | 18   | 5    | 0.75    | 0.5     | 8                    | 11   | 2    | 6       |
| 5                      | 12     | 20   | 5    | 0.75    | 0.5     | 15                   | 15   | 4    | 6       |
| 6                      | 10     | 18   | 4    | 0.75    | 0.5     | 8                    | 11   | 2    | 6       |

## CE, UKCA Electrical Ratings

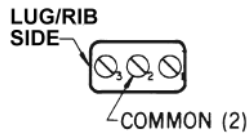
10 (2) 250 Vac; 10 A resistive, 2 A inductive

# MICRO SWITCH ROCKER SWITCHES, TP SERIES

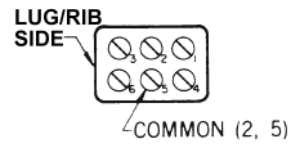
## TERMINAL CIRCUIT IDENTIFICATION

Terminal identifications are referred to in the order guides to indicate which circuits are made in each rocker position (i.e., 1-2 refers to circuit closure through terminals 1 and 2).

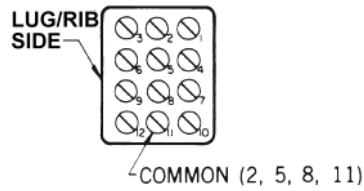
### One Pole



### Two Pole



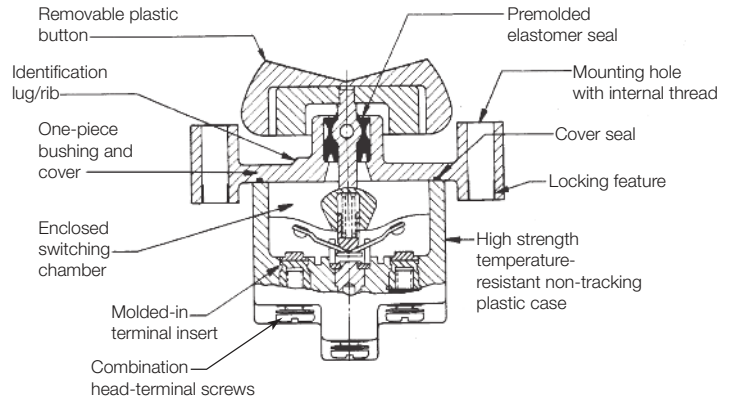
### Four Pole



## CONSTRUCTION

Above panel mounting gives a distinct button appearance. Flush panel mounting presents a low button profile.

## ROCKER INTERNAL COMPONENTS



## ABOVE VS. FLUSH PANEL MOUNT COMPARISON



## TP SERIES TWO-POSITION ORDER GUIDE

TABLE 4. TWO-POSITION TP SERIES

|  | Number of Poles | Circuits Made with Rocker Actuated at: |                              | Catalog Listing without Button <sup>1</sup> |               | Catalog Listing with Translucent White Button and Black Trim <sup>3</sup> |               | Electrical Rating Code <sup>2</sup> | UL & CSA Electrical Code <sup>2</sup> |
|--|-----------------|--|------------------------------|---|---------------|---|---------------|-------------------------------------|---------------------------------------|
|  |                 | Identifying Lug/Rib                    | Opposite Identifying Lug/Rib | Above Panel                                 | Flush Panel   | Above Panel   | Flush Panel   |                                     |                                       |
|  | 1               | Off                                    | 2-3                          | <b>1TP7-2</b>                               | <b>1TP8-2</b> | -   | <b>1TP1-2</b> | 1                                   | L191                                  |
|  | 1               | 1-2*                                   | Off                          | -   | <b>1TP8-6</b> | -   | <b>1TP1-6</b> | 2                                   | L192                                  |
|  | 1               | 1-2                                    | 2-3                          | -   | <b>1TP8-3</b> | <b>1TP16-3</b>  | <b>1TP1-3</b> | 1                                   | L191                                  |
|  | 1               | 1-2*                                   | 2-3                          | -   | <b>1TP8-8</b> | -   | -             | 2                                   | L192                                  |
|  | 2               | Off                                    | 2-3, 5-6                     | <b>2TP7-2</b>                               | <b>2TP8-2</b> | -   | <b>2TP1-2</b> | 3                                   | L191                                  |
|  | 2               | 1-2, 4-5                               | 2-3, 5-6                     | <b>2TP7-3</b>                               | <b>2TP8-3</b> | <b>2TP16-3</b>  | <b>2TP1-3</b> | 3                                   | L191                                  |
|  | 2               | 1-2, 4-5*                              | 2-3, 5-6                     | <b>2TP7-8</b>                               | <b>2TP8-8</b> | -   | <b>2TP1-8</b> | 4                                   | L192                                  |
|  | 4               | 1-2, 4-5, 7-8, 10-11                   | 2-3, 5-6, 8-9, 11-12         | -   | <b>4TP8-3</b> | -   | <b>4TP1-3</b> | 5                                   | L191                                  |

\* These positions are momentary. All others are maintained.

<sup>1</sup> Order buttons from page 5, Table 8.




<sup>2</sup> Refer to page 2 for electrical ratings.

<sup>3</sup> Includes 12PA3 button.

# MICRO SWITCH ROCKER SWITCHES, TP SERIES

## TP SERIES THREE-POSITION ORDER GUIDE

**TABLE 5. THREE-POSITION TP SERIES**

|   | Number of Poles | Circuits Made with Rocker Actuated at: |                      |                              | Catalog Listing without Button <sup>1</sup> |                | Catalog Listing with Translucent White Button and Black Trim <sup>3</sup> |                | Electrical Rating Code <sup>2</sup> | UL & CSA Electrical Code <sup>2</sup> |
|---|-----------------|--|----------------------|------------------------------|---|----------------|---|----------------|-------------------------------------|---------------------------------------|
|   |                 | Identifying Lug/Rib                    | Center               | Opposite Identifying Lug/Rib | Above Panel                                 | Flush Panel    | Above Panel   | Flush Panel    |                                     |                                       |
|                        | 1               | 1-2                                    | Off                  | 2-3                          | <b>1TP7-1</b>                               | <b>1TP8-1</b>  | -   | <b>1TP1-1</b>  | 1                                   | L191                                  |
|   | 1               | 1-2*                                   | Off                  | 2-3                          | <b>1TP7-5</b>                               | -              | -   | <b>1TP1-5</b>  | 2                                   | L192                                  |
|   | 1               | 1-2*                                   | Off                  | 2-3*                         | <b>1TP7-7</b>                               | <b>1TP8-7</b>  | <b>1TP16-7</b>  | <b>1TP1-7</b>  | 2                                   | L192                                  |
| <br>(without button)   | 2               | 1-2, 4-5                               | Off                  | 2-3, 5-6                     | <b>2TP7-1</b>                               | <b>2TP8-1</b>  | <b>2TP16-1</b>  | <b>2TP1-1</b>  | 3                                   | L191                                  |
|   | 2               | 1-2, 4-5*                              | Off                  | 2-3, 5-6                     | -   | <b>2TP8-5</b>  | <b>2TP16-5</b>  | <b>2TP1-5</b>  | 4                                   | L192                                  |
|   | 2               | 1-2, 4-5*                              | Off                  | 2-3, 5-6*                    | <b>2TP7-7</b>                               | <b>2TP8-7</b>  | <b>2TP16-7</b>  | <b>2TP1-7</b>  | 4                                   | L192                                  |
|   | 2               | 1-2, 4-5                               | 1-2, 5-6             | 2-3, 5-6                     | -   | <b>2TP8-10</b> | <b>2TP16-10</b>   | <b>2TP1-10</b> | 3                                   | L191                                  |
|   | 2               | 1-2, 4-5*                              | 1-2, 5-6             | 2-3, 5-6                     | -   | <b>2TP8-50</b> | <b>2TP16-50</b>   | <b>2TP1-50</b> | 4                                   | L192                                  |
|   | 2               | 1-2, 4-5*                              | 1-2, 5-6             | 2-3, 5-6*                    | <b>2TP7-70</b>                              | <b>2TP8-70</b> | <b>2TP16-70</b>   | <b>2TP1-70</b> | 4                                   | L192                                  |
| <br>(without button) | 4               | 1-2, 4-5, 7-8, 10-11*                  | Off                  | 2-3, 5-6, 8-9, 11-12*        | -   | -              | -   | <b>4TP1-7</b>  | 6                                   | L192                                  |
|   | 4               | 1-2, 4-5, 7-8, 10-11                   | 2-3, 4-5             | 2-3, 5-6, 8-9, 11-12         | -   | <b>4TP8-10</b> | -   | <b>4TP1-10</b> | 5                                   | L191                                  |
|   | 4               | 1-2, 4-5, 7-8, 10-11                   | 2-3, 4-5, 7-8, 11-12 | 2-3, 5-6, 8-9, 11-12         | -   | <b>4TP8-12</b> | -   | -              | 5                                   | L191                                  |

\* These positions are momentary. All others are maintained.

<sup>1</sup> Order buttons from page 5, Table 8.

<sup>2</sup> Refer to page 2 for electrical ratings.

<sup>3</sup> Includes 12PA3 button.

# MICRO SWITCH ROCKER SWITCHES, TP SERIES

## TP SERIES FOUR-POLE, THREE-POSITION SPECIAL CIRCUITRY

Catalog listings with -10, -12, and -70 suffixes shown in the order guide (page 4) have special “On-On-On” circuitry as presented in the “three-position order guide”. The catalog listings with the suffix type circuits identified can be installed to provide a different circuit “on” in each of the three different rocker positions.

Reference the following example for the 4TP8-10 three-position rocker switch.

**TABLE 6. CIRCUITS MADE WITH ROCKER ACTUATED AT:**

| Identifying Rib Position | Center Position | Opposite Identifying Rib Position |
|--------------------------|-----------------|-----------------------------------|
| 1-2, 4-5, 7-8, 10-11     | 2-3, 4-5        | 2-3, 5-6, 8-9, 11-12              |

**TABLE 7. SUGGESTED CONNECTIONS FOR CIRCUIT IN EACH OF THREE DIFFERENT POSITIONS**

| Switch Terminals                      | Identifying Rib Position | Center Position | Opposite Identifying Rib Position |
|---------------------------------------|--------------------------|-----------------|-----------------------------------|
| Circuit 10-11                         | 1                        | 0               | 0                                 |
| Circuit 2-3 wired in series with 4-5* | 0                        | 1               | 0                                 |
| Circuit 8-9                           | 0                        | 0               | 1                                 |

1 = Circuit closed; 0 = Circuit open

\* Requires user to install a jumper between terminal #2 and terminal #5. Input and output terminals are #3 and #4.

## TP SERIES BUTTON ORDER GUIDE

**TABLE 8. BUTTON COLORS**

| Catalog Listing | Color                               |
|-----------------|-------------------------------------|
| 12PA6           | Translucent (white)                 |
| 12PA3           | Translucent (white) with black trim |
| 12PA4           | Transparent (colorless)             |
| 12PA5-W         | White**                             |
| 12PA5-Y         | Yellow**                            |
| 12PA5-BK        | Black**                             |
| 12PA5-G         | Green**                             |
| 12PA5-R         | Red**                               |
| 12PA5-BL        | Blue**                              |

\*\* Opaque color

## BUTTON OPTIONS

**Buttons are removable and interchangeable. They measure 22,1 mm x 37,1 mm [0.87 in x 1.46 in].** **Transparent** (colorless plastic) buttons accept under-the-surface legend inserts for station and function identification. **Legend inserts are not furnished.** Legend inserts can be furnished by a local supplier. **Translucent** (white plastic) buttons have a clear appearance with a white internal coating. **Colored** (opaque plastic) buttons are suitable for color coding switch functions.

## ORDERING SWITCHES WITH TRANSPARENT OR TRANSLUCENT BUTTONS

To order switches with a translucent or transparent button, convert the catalog listings per the following examples.

1. To order a switch with a translucent button (without the black trim) for above panel mounting, substitute **TP216** for **TP16**. For example, a **1TP16-1** catalog listing would be converted to a **1TP216-1** catalog listing which includes a translucent button with above panel mounting.
2. To order a switch with a translucent button (without the black trim) for flush panel mounting, substitute **TP201** for **TP1**. For example, a **1TP1-1** catalog listing would be converted to a **1TP201-1** catalog listing which includes a translucent button with flush panel mounting.
3. To order a switch with a transparent button for above panel mounting, substitute **TP4** for **TP16**. For example, a **1TP16-1** catalog listing would be converted to a **1TP4-1** catalog listing which includes a transparent button with above panel mounting.
4. To order a switch with a transparent button for flush panel mounting, substitute **TP12** for **TP1**. For example, a **1TP1-1** catalog listing would be converted to a **1TP12-1** catalog listing which includes a transparent button with flush panel mounting.

# MICRO SWITCH ROCKER SWITCHES, TP SERIES

## MICRO SWITCH TP SERIES DIMENSIONS

Note: Various button styles shown

Figure 1. TP Series: Single pole, flush panel mounting

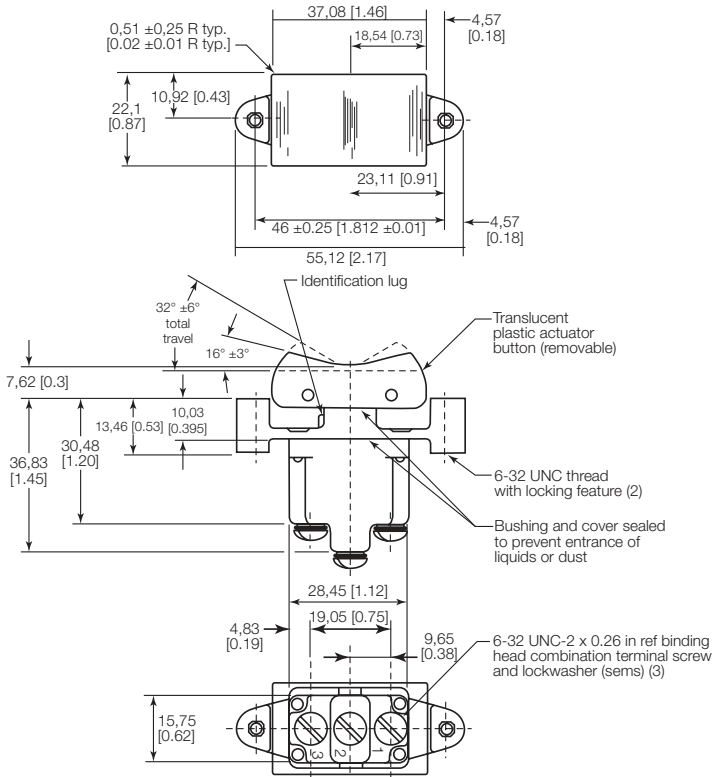


Figure 3. TP Series: Double pole, flush panel mounting

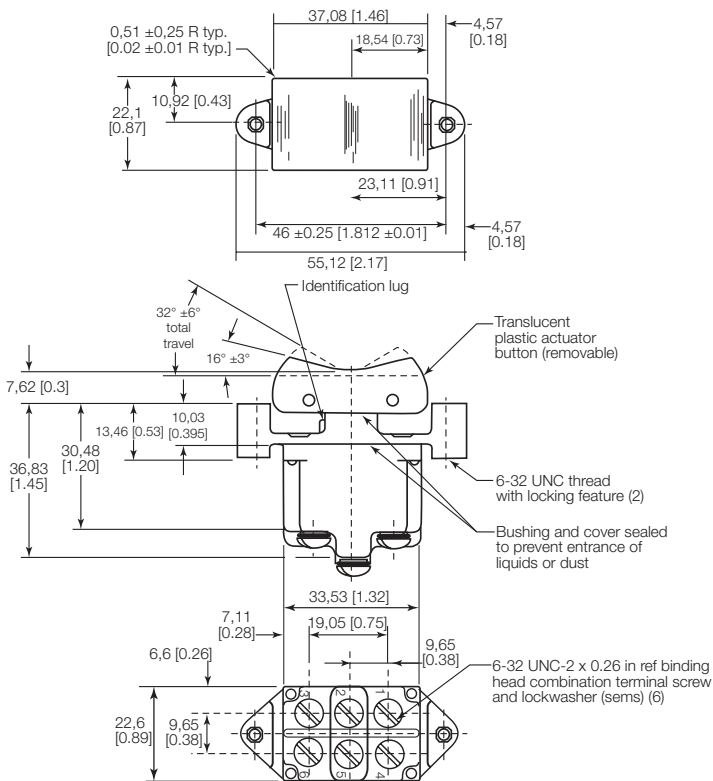


Figure 2. TP Series: Single pole, above panel mounting

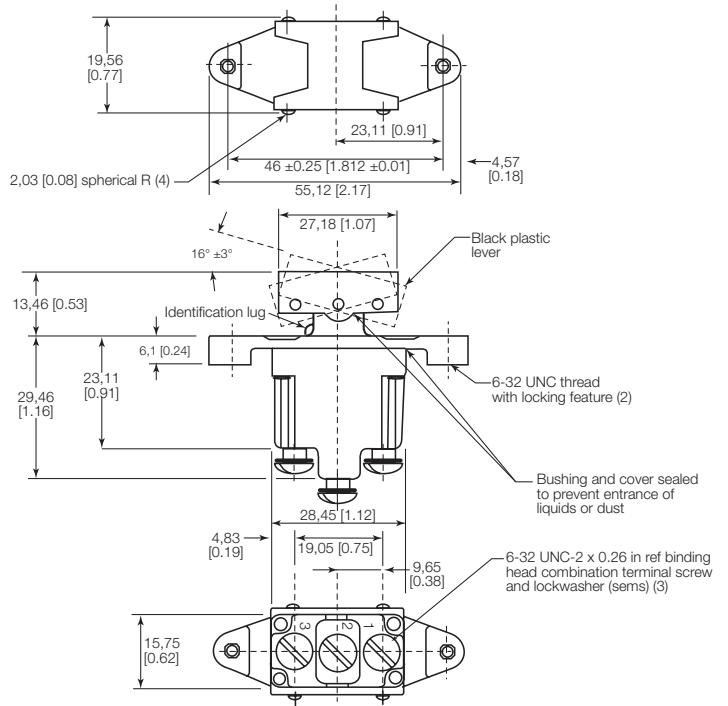
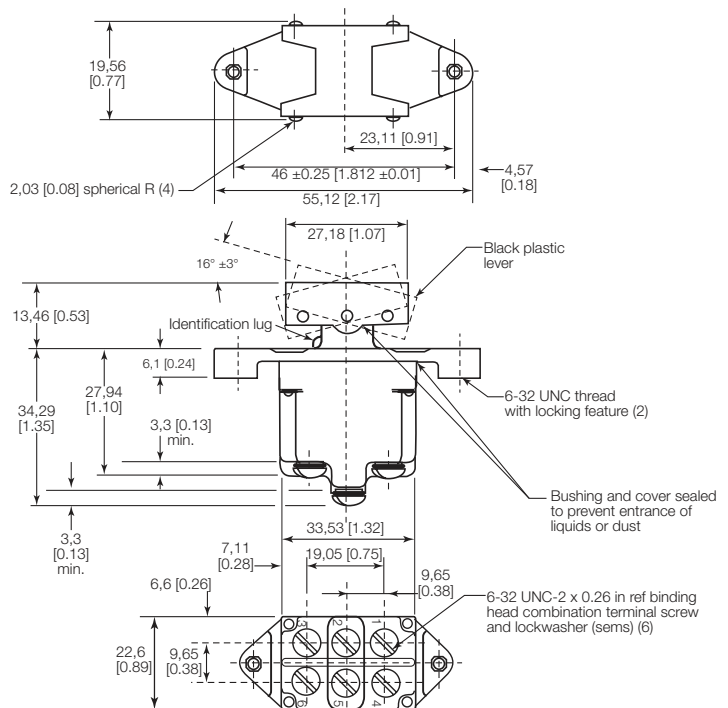


Figure 4. TP Series: Double pole, above panel mounting



# MICRO SWITCH ROCKER SWITCHES, TP SERIES

## MICRO SWITCH TP SERIES DIMENSIONS

Note: Various button styles shown

Figure 5. TP Series: Four pole, flush panel mounting

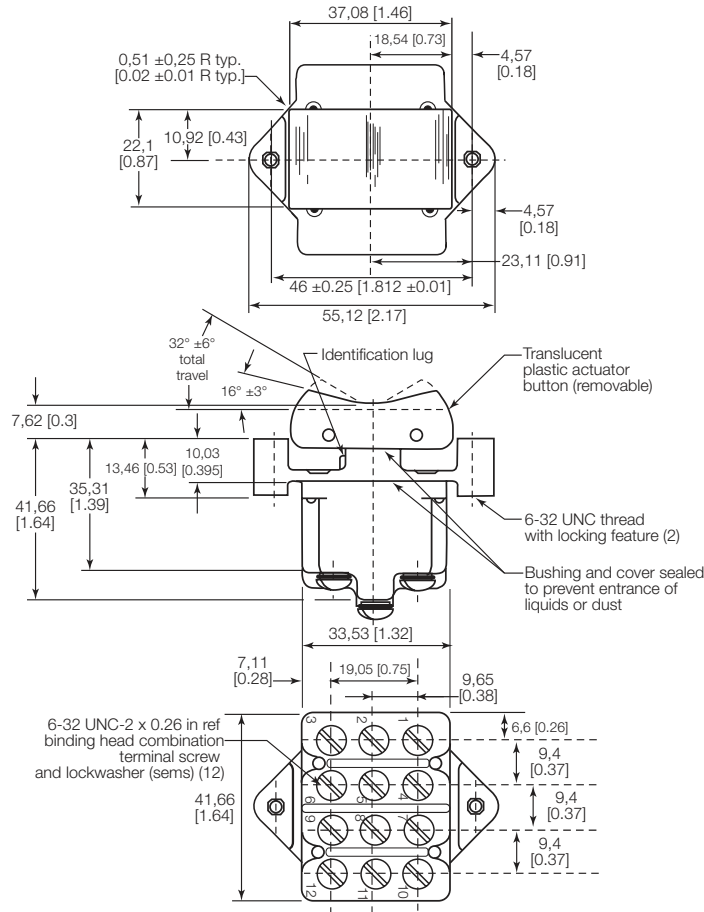


Figure 6. TP Series: Four pole, above panel mounting

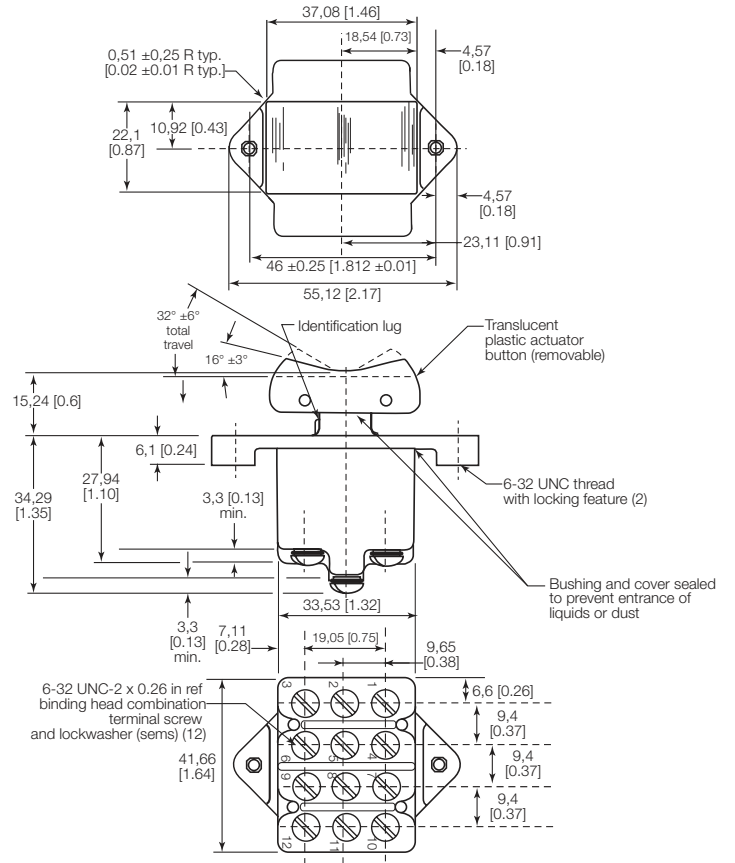
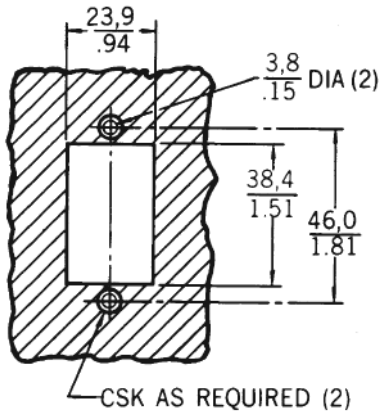


Figure 7. TP Series: Panel cutout



## ADDITIONAL MATERIALS

The following associated literature is available on the Honeywell web site at [sps.honeywell.com/ast](https://sps.honeywell.com/ast):

- Product range guide

## WARRANTY/REMEDY

Honeywell warrants goods of its manufacture as being free of defective materials and faulty workmanship during the applicable warranty period. Honeywell's standard product warranty applies unless agreed to otherwise by Honeywell in writing; please refer to your order acknowledgment or consult your local sales office for specific warranty details. If warranted goods are returned to Honeywell during the period of coverage, Honeywell will repair or replace, at its option, without charge those items that Honeywell, in its sole discretion, finds defective. The foregoing is buyer's sole remedy and is in lieu of all other warranties, expressed or implied, including those of merchantability and fitness for a particular purpose. In no event shall Honeywell be liable for consequential, special, or indirect damages.

While Honeywell may provide application assistance personally, through our literature and the Honeywell web site, it is buyer's sole responsibility to determine the suitability of the product in the application.

Specifications may change without notice. The information we supply is believed to be accurate and reliable as of this writing. However, Honeywell assumes no responsibility for its use.

## WARNING PERSONAL INJURY

DO NOT USE these products as safety or emergency stop devices or in any other application where failure of the product could result in personal injury.

**Failure to comply with these instructions could result in death or serious injury.**

## WARNING MISUSE OF DOCUMENTATION

- The information presented in this product sheet is for reference only. Do not use this document as a product installation guide.
- Complete installation, operation, and maintenance information is provided in the instructions supplied with each product.

**Failure to comply with these instructions could result in death or serious injury.**

## FOR MORE INFORMATION

Honeywell Advanced Sensing Technologies services its customers through a worldwide network of sales offices and distributors. For application assistance, current specifications, pricing or the nearest Authorized Distributor, visit [our website](https://ourwebsite) or call:

|               |                     |
|---------------|---------------------|
| USA/Canada    | +1 302 613 4491     |
| Latin America | +1 305 805 8188     |
| Europe        | +44 1344 238258     |
| Japan         | +81 (0) 3-6730-7152 |
| Singapore     | +65 6355 2828       |
| Greater China | +86 4006396841      |

### Honeywell Advanced Sensing Technologies

830 East Arapaho Road  
Richardson, TX 75081  
[sps.honeywell.com/ast](https://sps.honeywell.com/ast)