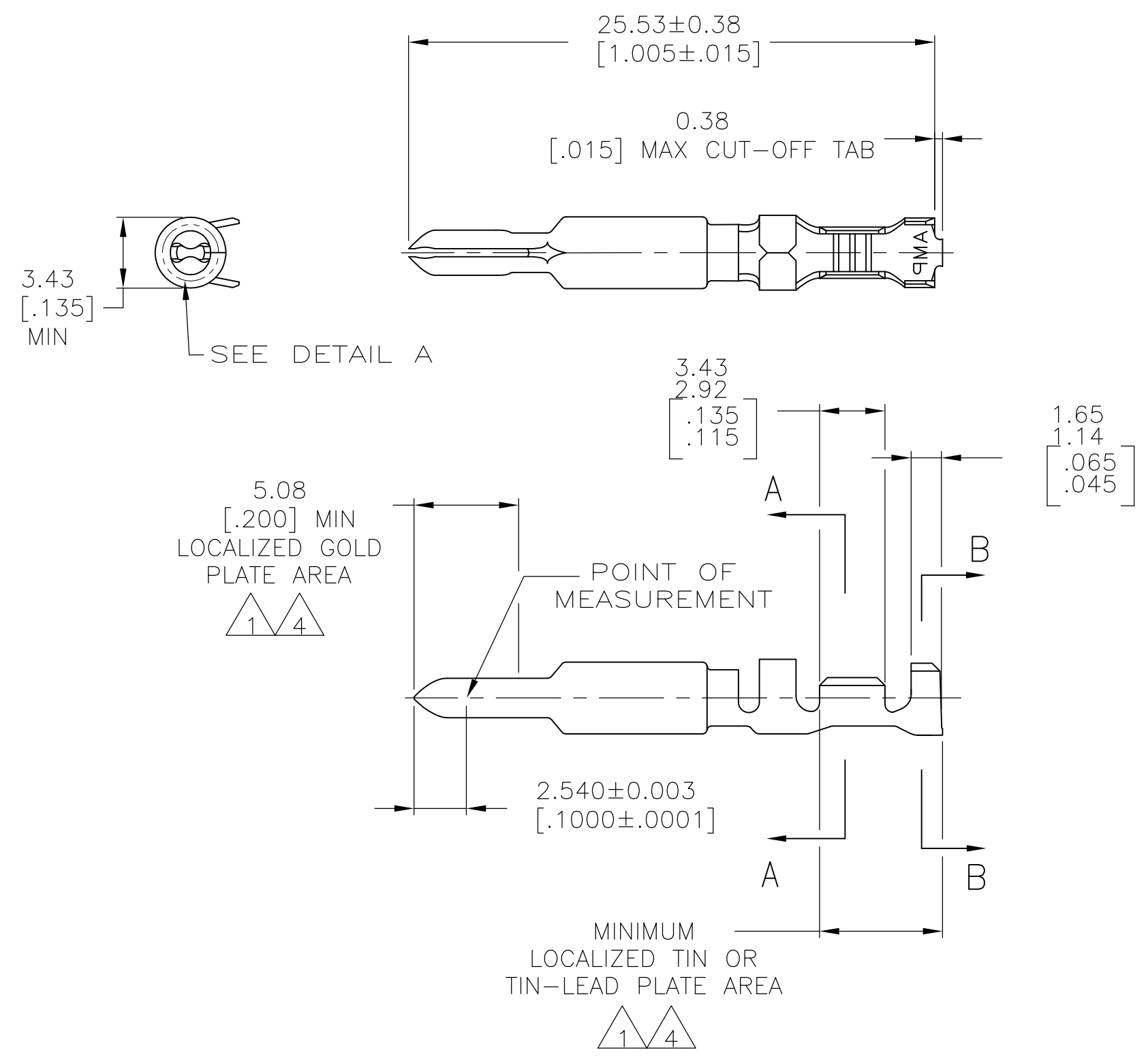
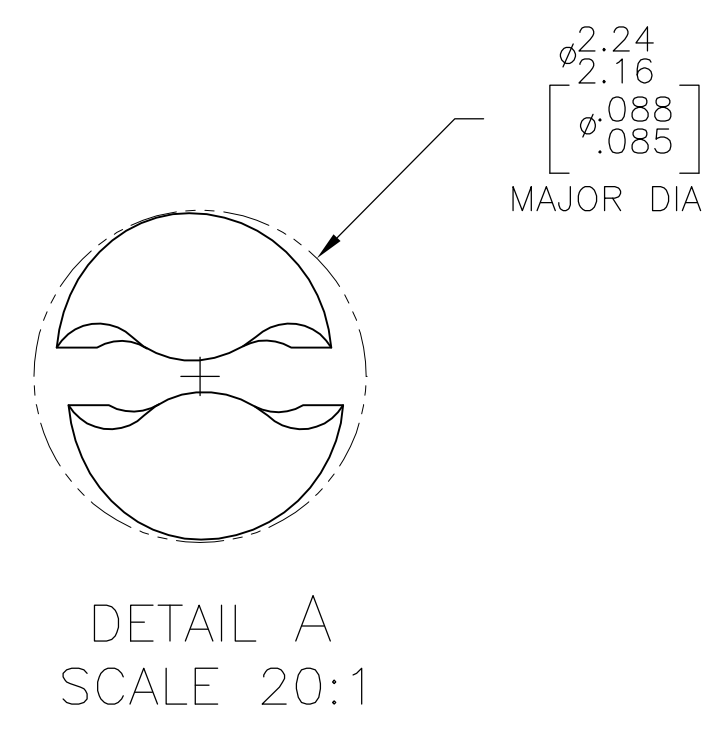
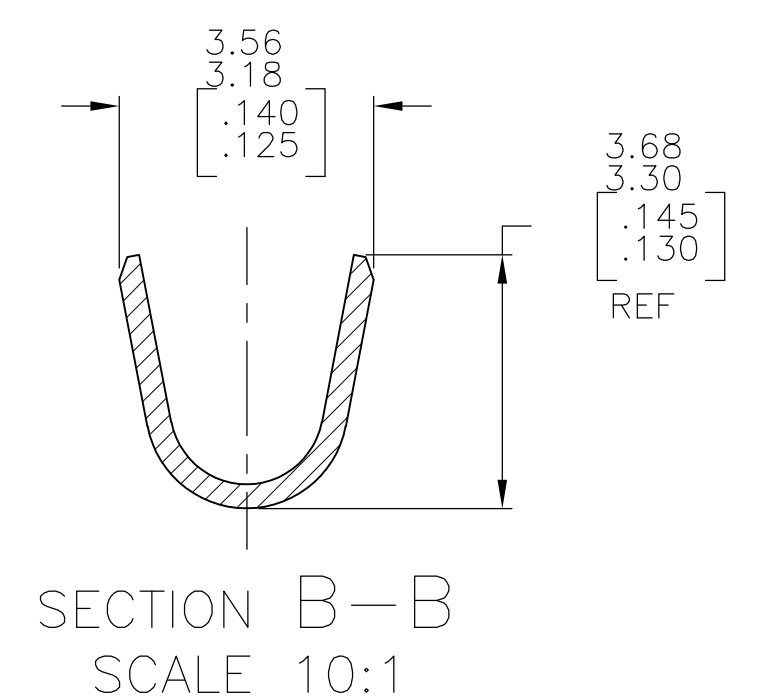
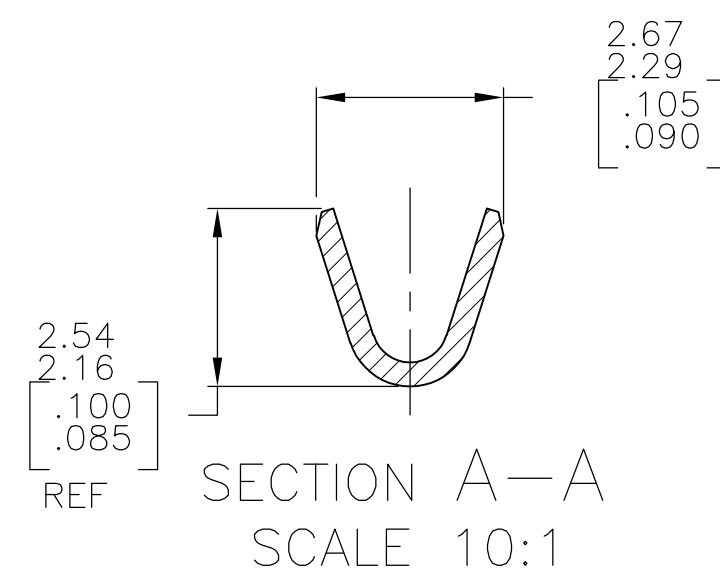


THIS DRAWING IS UNPUBLISHED. RELEASED FOR PUBLICATION
 © COPYRIGHT - By - ALL RIGHTS RESERVED.

| LOC | | DIST | | REVISIONS | | | |
|-----|-----|-------------|--|---------------------------|-----------|------|----|
| P | LTR | DESCRIPTION | | DATE | DWN | APVD | |
| CM | 00 | G | | REVISED PER ECR-13-008204 | 10DEC2013 | KH | TM |



- 1 0.00076[.000030] MIN GOLD AT POINT OF MEASUREMENT IN THE LOCALIZED GOLD PLATE AREA, 0.00127[.000050] MIN TIN-LEAD IN TIN-LEAD PLATE AREA, 0.00127[.000050] MIN NICKEL UNDERPLATE ON ENTIRE CONTACT.
- 2 WIRE RANGE: 0.2-1mm² [24-18 AWG]. INSULATION RANGE: 1.02-2.54 [.040-.100] DIA.
- 3 DIMENSIONS IN BRACKETS ARE IN INCHES.
- 4 0.00076[.000030] MIN GOLD AT POINT OF MEASUREMENT IN THE LOCALIZED GOLD PLATE AREA, 0.00127[.000050] MIN TIN IN TIN PLATE AREA, 0.00127[.000050] MIN NICKEL UNDERPLATE ON ENTIRE CONTACT.
- 5 SUPERSEDED BY 1-770252-0



| | | | | | | |
|---|---------|---|------|--------|----------|-------------|
| 5 | GOLD | 4 | 0.30 | [.012] | BRASS | 1-770252-0 |
| | GOLD | 1 | 0.30 | [.012] | BRASS | -770252-2- |
| | PRE-TIN | | 0.30 | [.012] | BRASS | 770252-1 |
| | FINISH | | | | MATERIAL | PART NUMBER |

| | | | | | | |
|--|--|-------------------------------|--|--|--|--|
| THIS DRAWING IS A CONTROLLED DOCUMENT. | | DWN K. WHITAKER 30SEP04 | TE Connectivity | | | |
| DIMENSIONS: mm [INCHES] | | CHK C.JONES 30SEP04 | NAME PIN, LOOSE PIECE, UNIVERSAL MATE-N-LOK(TM) II | | | |
| TOLERANCES UNLESS OTHERWISE SPECIFIED: | | APVD C.JONES 30SEP04 | SIZE A2 | | | |
| 0 PLC ± - | | PRODUCT SPEC | CAGE CODE 00779 | | | |
| 1 PLC ± - | | APPLICATION SPEC | DRAWING NO C=770252 | | | |
| 2 PLC ± 0.13 [.005] | | | RESTRICTED TO | | | |
| 3 PLC ± - | | | SCALE 4:1 | | | |
| 4 PLC ± - | | | SHEET 1 of 1 | | | |
| ANGLES ± 0°30' | | | REV G | | | |
| FINISH | | WEIGHT - | CUSTOMER DRAWING | | | |