



**REED SWITCH DEVELOPMENTS CORP.**

2524 Norwood Court  
Racine, WI 53403  
Ph: (262)883-9060

[sales@reedswitchdevelopments.com](mailto:sales@reedswitchdevelopments.com)

# SPECIFICATION SHEET

## 2020-1710-400

Alternate Part Number:

**AM2020-1710-10K01**  
**3730-2020-1710-400-ND**

Active / Equivalent Part Numbers:

**2020-1710-400 - KIT - Contains**

(1) 2020-1710-100 - Magnetic Reed Sensor

(1) 2020-4100-000 - Magnetic Actuator

**AM2020-1710-10K01 - KIT - Contains**

(1) AM2020-1710-10-01 - Magnetic Reed Sensor

(1) AM2020-4100-00-01 - Magnetic Actuator

**3730-2020-1710-400-ND - KIT - Contains**

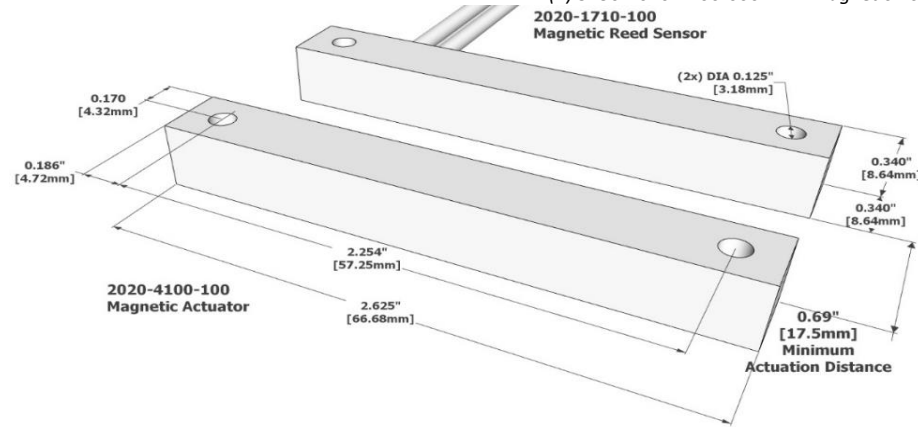
(1) 3730-2020-1710-100-ND - Magnetic Reed Sensor

(1) 3730-2020-4100-000-ND - Magnetic Actuator

**Sensor (Reed) - Specifications 1901**

Physical	Configuration	SPDT	
	Form	C	
	Contact Position	OFFSET	
	Glass L	32.89	mm
	Glass D	5.33	mm
	Total L*	85.98	mm
	Wire D	1.02	mm
	Gap Location	N/A	
	Mount Spec*	THRU	
	Contact Material	TUNGSTEN	
	Max Vibration Resistance	N/A	G
	Max Shock Resistance (11ms)	N/A	G
	Lead Tensile Strength	N/A	KG
Operating	Pull in (+/- 2AT)*	50 - 65	AT
	Drop out*	N/A	AT
	Operate Time	4.00	ms
	Bounce Time	N/A	ms
	Release Time	3.90	ms
	Resonant Frequency	N/A	Hz
	Max Operating Frequency	N/A	Hz
Electrical	Operating Temperature Range	-40 - 105	°C
	Storage Temperature	N/A	°C
	DC Contact Rating	100	W
	AC Contact Rating	N/A	VA
	DC Switching Voltage	120	VDC
	AC Switching Voltage	85	VAC
	DC Switching Current	3.00	A
	AC Switching Current	3.00	A
	DC Max Carry Current	3.60	A
	AC Max Carry Current	3.60	A
Min Breakdown Voltage	150	VDC	
Max Initial Contact Resistance	500	mOhm	
Typical Initial Contact Resistance	N/A	mOhm	
Max Contact Capacitance	1.60	pF	
Min Insulation Resistance	10 <sup>10</sup>	Ohm	

\* Pre-processed, bare reed element



All measurements are in Inches [millimeters]

**Sensor - Wire/Cable Characteristics (cont.)**

Type	Wire
Conductor Count	3
Length	6.0"/152.4mm
Colors	RED, BLK, WHT
Insulation Material	PVC
Gauge	24 AWG
Stranded Copper	7 STR-TC
Maximum Temp	105°C

**Conductor Configuration**

Common (COM) - WHITE	
Normally Open (NO) - RED	
Normally Closed (NC) - BLACK	

**Housing Characteristics 2020**

Rectangular w/ Mounting Holes	
Length	2.625"/66.68mm
Width	0.340"/8.64mm
Height	0.340"/8.64mm
Material	Celanex 3316

2020-1710-100  
Magnetic Reed Sensor

2020-4100-100  
Magnetic Actuator

**Standard Actuator: 2020-4100-000**

	Specifications	Description	UM
Physical/Magnetic	Magnetic Orientation	Through Length	
	Max Operating Temp.	975/525	°F/°C
	Curie Temp.	1580/860	°F/°C
	BR max	12.8	kGauss
	BH max	5.5	MGOe
	Coercive Force Hc	640	kOe
	Intrinsic Coercive Force Hci	640	kOe

**Std. Sensor/Actuator - Min. Actuation Dist.**

2020-4100-000	0.69"/17.5mm
---------------	--------------

**Assembly Certifications**

UL Recognized (File #: E102207)	Y
RoHS / REACH Compliant	Y
Conflict Free Material	Y

REV DATE: 04/20/2023

DISCLAIMER NOTICE: INFORMATION FURNISHED IS PROPRIETARY, AND IS BELIEVED TO BE ACCURATE AND RELIABLE, AND IS SUBJECT TO CHANGE WITHOUT NOTICE. IT SHALL BE THE RESPONSIBILITY OF THE BUYER TO ENSURE THAT THE GOODS ARE SUFFICIENT AND SUITABLE FOR THE PURPOSE OR PURPOSES INTENDED (WHETHER BY THE BUYER OR BY ANY THIRD PARTY) AND THAT THEIR CAPACITY AND PERFORMANCE IS NOT ADVERSELY AFFECTED BY ANY ITEMS USED IN THEIR INSTALLATION (WHERE RELEVANT) AND/OR IN CONNECTION WITH THEM.

**WBE Certified - State of Wisconsin - MFR CAGE CODE: 32604**

[www.reedswitchdevelopments.com](http://www.reedswitchdevelopments.com)