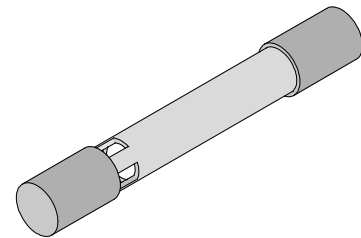




Extractor Tool

Application Tooling Specification Sheet



Order No. 63824-3600

FEATURES

- This tool is designed to extract the Imperium Terminal-Power Contact 31561 Series from the 31568 Series Housings.

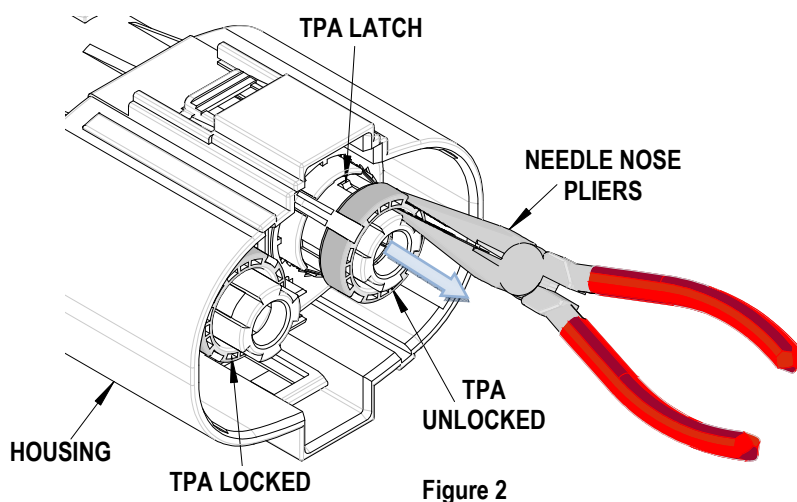
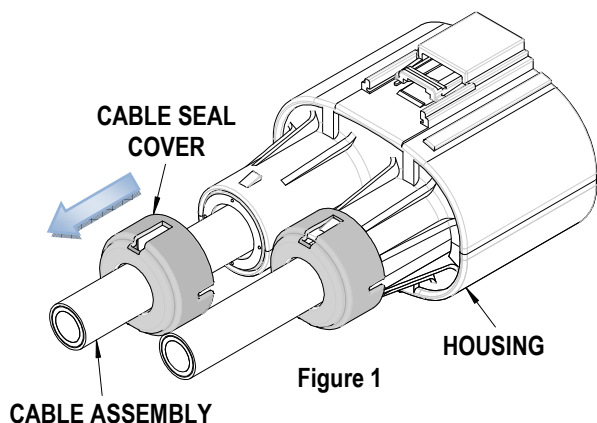
SCOPE

Products: Imperium Receptacle Terminal-Power Contact 31561 Series, 31568 Series Housings.

Power Contact Order No.	Series No.	Housing Order No.					
31561-4002	Housing 31568	31568-2000	31568-2001	31568-2002	31568-2003	31568-2004	31568-2005
31561-4003		31568-2006					
31561-4810	Main Assembly 171466	171466-1000	171466-1001	171466-1002	171466-1003	171466-1004	171466-1005
31561-4811							
31561-4812							
31561-4813							
31561-4910		171466-1006					
31561-4911							

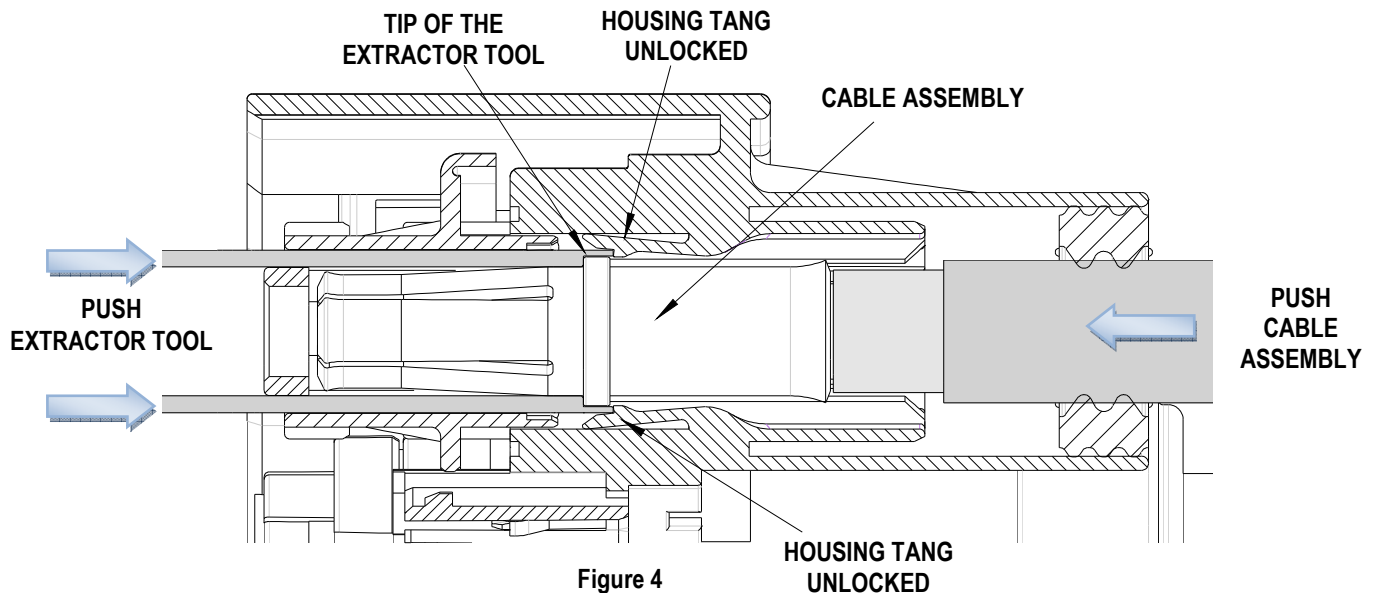
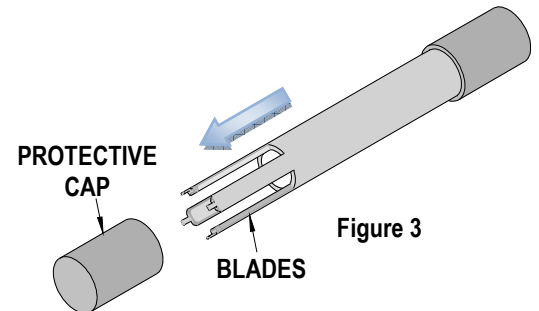
Cable Seal

Before the crimp cable assembly can be extracted from the housing the Imperium Cable Seal Cover must be removed. Use the 62202-4700 extractor tool for this operation. See Figures 1



OPERATION

1. Using a needle nose pliers gently pull the Secondary Locking Key (TPA) in the arrow direction shown until the TPA latch clears the housing. Do not pull the TPA out of the connector. See Figures 2.
2. Before using the extractor tool remove the protective cap on the blades side. See Figure 3.
3. Line up and insert the 4 blades of the Extractor Tool to the 4 circular slots on the housing.
4. Slowly slide the extractor tool until it comes to a stop.
5. While pushing the extractor tool into the housing, push the crimped terminal and cable assembly in the arrow direction towards the extractor tool.
6. Push the tool until the locking tangs of the housing are even with the rest of the terminal-power contact. This will free the terminal power contact from the housing.
7. Pull the crimped terminal and cable assembly back through the housing. See Figures 4.



Molex does not offer repair parts for Extractor Tools due to the inexpensive nature of these tools.

CAUTION: This Extractor Tool should be used to extract the terminal only. Using it for unintended purposes may cause injury or damage to parts. Be careful not to damage the TPA and the housing slots.

Contact Information

For more information on Molex application tooling please contact Molex at 1-800-786-6539.

Visit our Web site at <http://www.molex.com>