



EFD20 High Frequency Transformer

AEFD20-1477

- EFD20 Core Design
- Wire Wound SMD Low Profile Design
- Operating Temperature Range: -20°C to +125°C



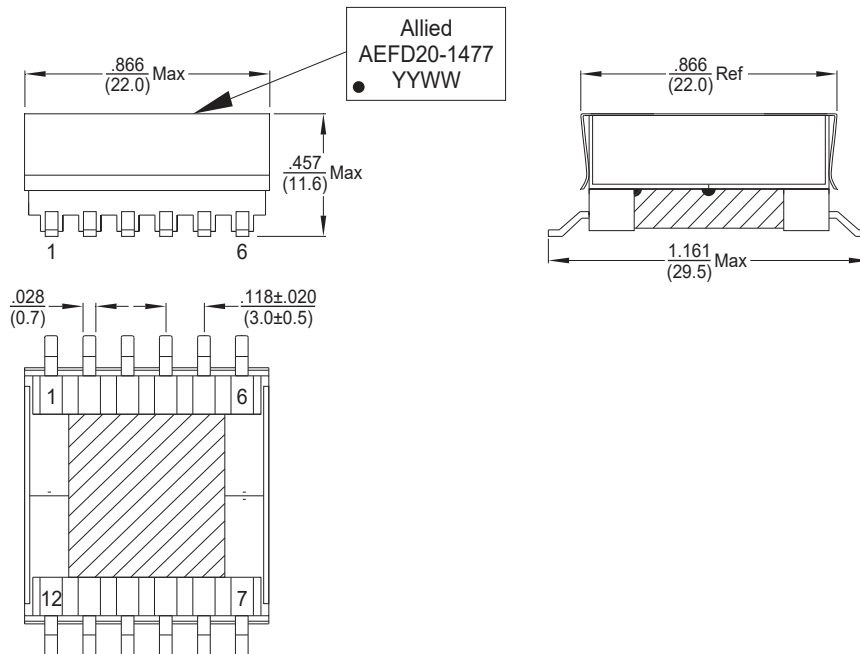
SPECIFICATIONS @ 25°C

Inductance @ 100KHz, 1.0V (1,2-3,4)	Leakage Inductance @ 100KHz, 1.0V (1,2-3,4) Short (7,8,9,10,11,12)	DC Resistance (mΩ)				Turns Ratio @15.75KHz, 1.0V		HiPot Pri-Sec 5mA/1Sec
		(1-3)	(2-4)	(5-6)	(10,11,12-7,8,9)	(1,2-3,4):(5-6)	(1,2-3,4):(10,11,12-7,8,9)	
38.3μH ±7%	1.0μH Max	85 Max	72 Max	230 Max	2.5 Typ	2 : 1 ±3%	2 : 1 ±3%	1800Vac

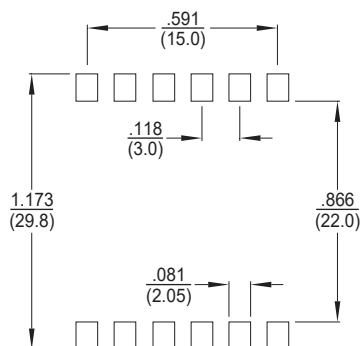
All specifications subject to change without notice.

MECHANICAL

Dimensions: $\frac{\text{inch}}{\text{mm}}$



PCB LAYOUT



SCHEMATIC

