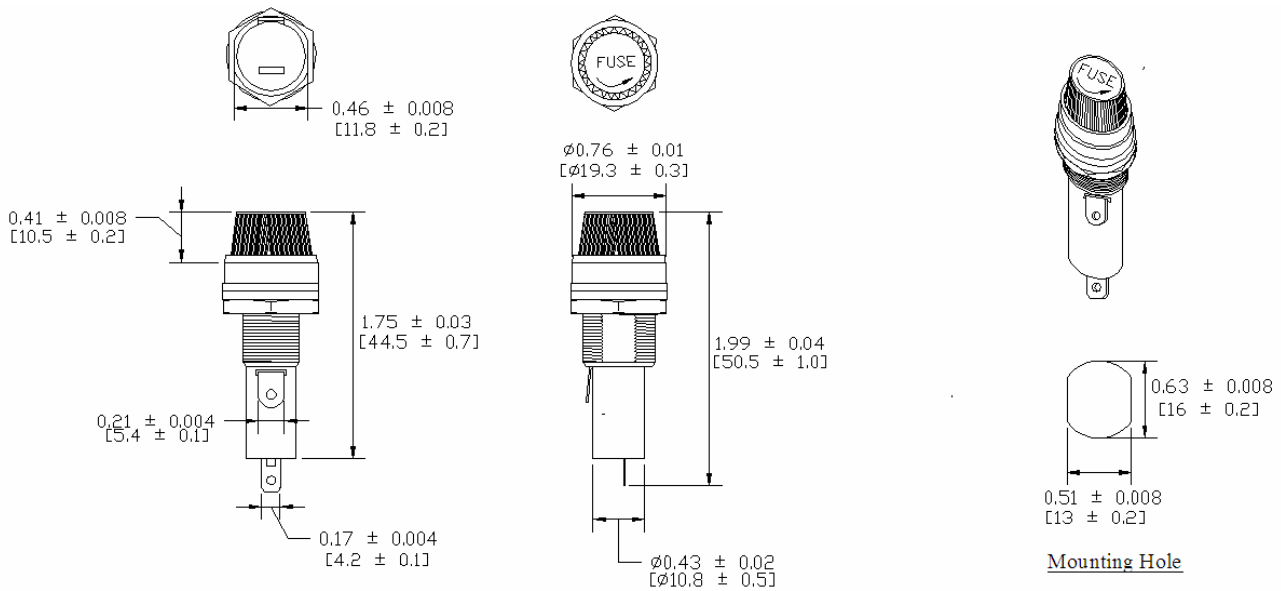



Type PMA-KS-01-SOS (formerly PKA-04)
Panel Mount Fuse Holder
1/4" x 1 1/4" (6.3 x 32mm) Fuses
Knob / Screw



www.optifuse.com (619) 593-5050

Electrical Rating: 10A, 250V AC
Fuse Style: 1/4" x 1 1/4" (6.3 x 32mm)
Material:
Frame and Cap: Bakelite
Terminals: Nickel-plated copper alloy
Cap: Knob type, Screw type
Mounting: by metal nut and white plastic washer
Terminal: Solder 5.4mm / 0.21",
Panel Thickness: 0.5 ~ 4.5mm
Product Dimensions: Inches [mm]



<p>Warning:</p> 	<ul style="list-style-type: none"> -Operation beyond the specified maximum ratings or improper use may result in damage and possible electrical arcing and/or flame. -Fuse Holders are not intended for circuit disconnect. All power should be disconnected before removing fuse. -Avoid contact of Fuse Holder with chemical solvent. Prolonged contact may damage the device performance.
--	---