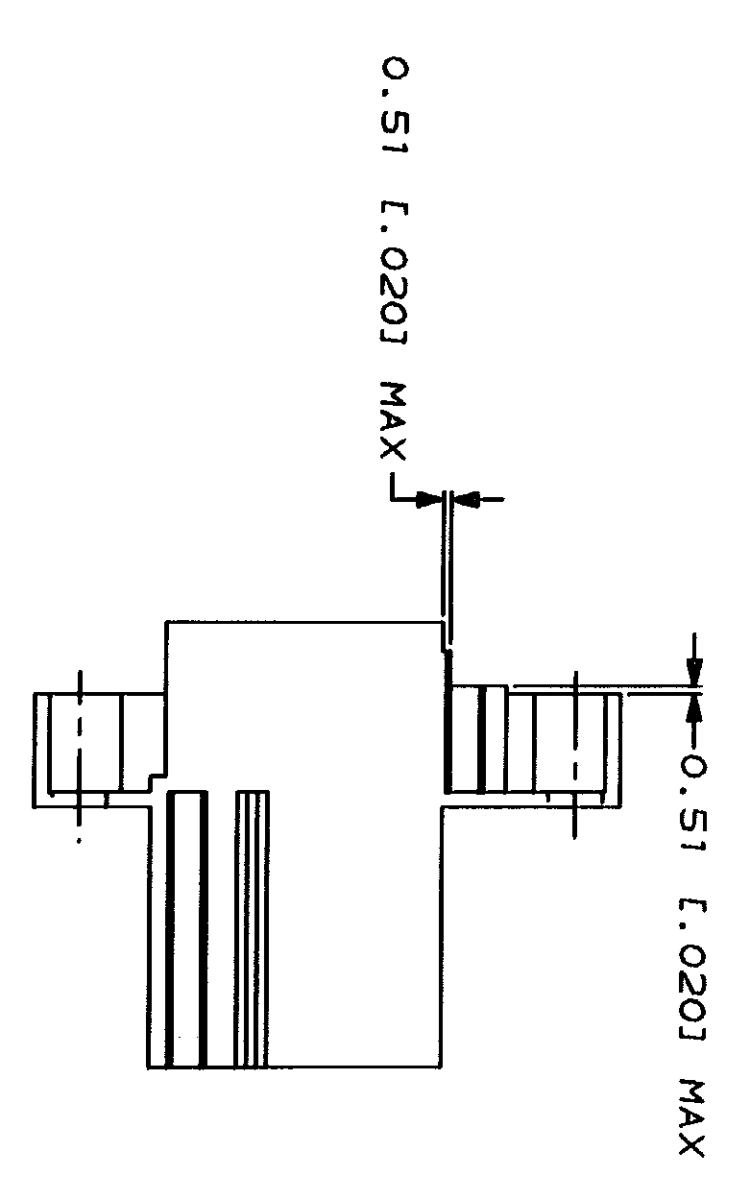
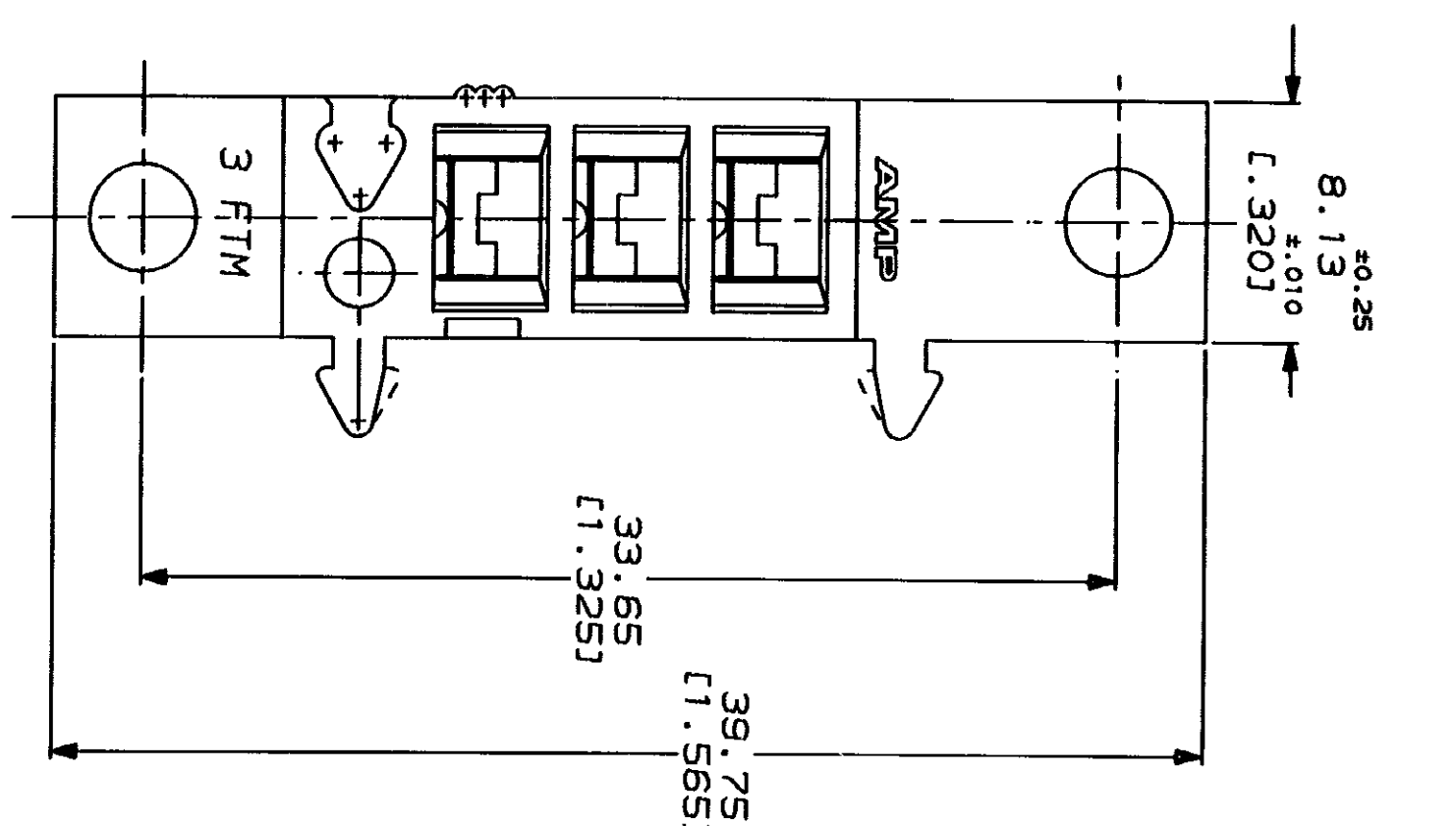
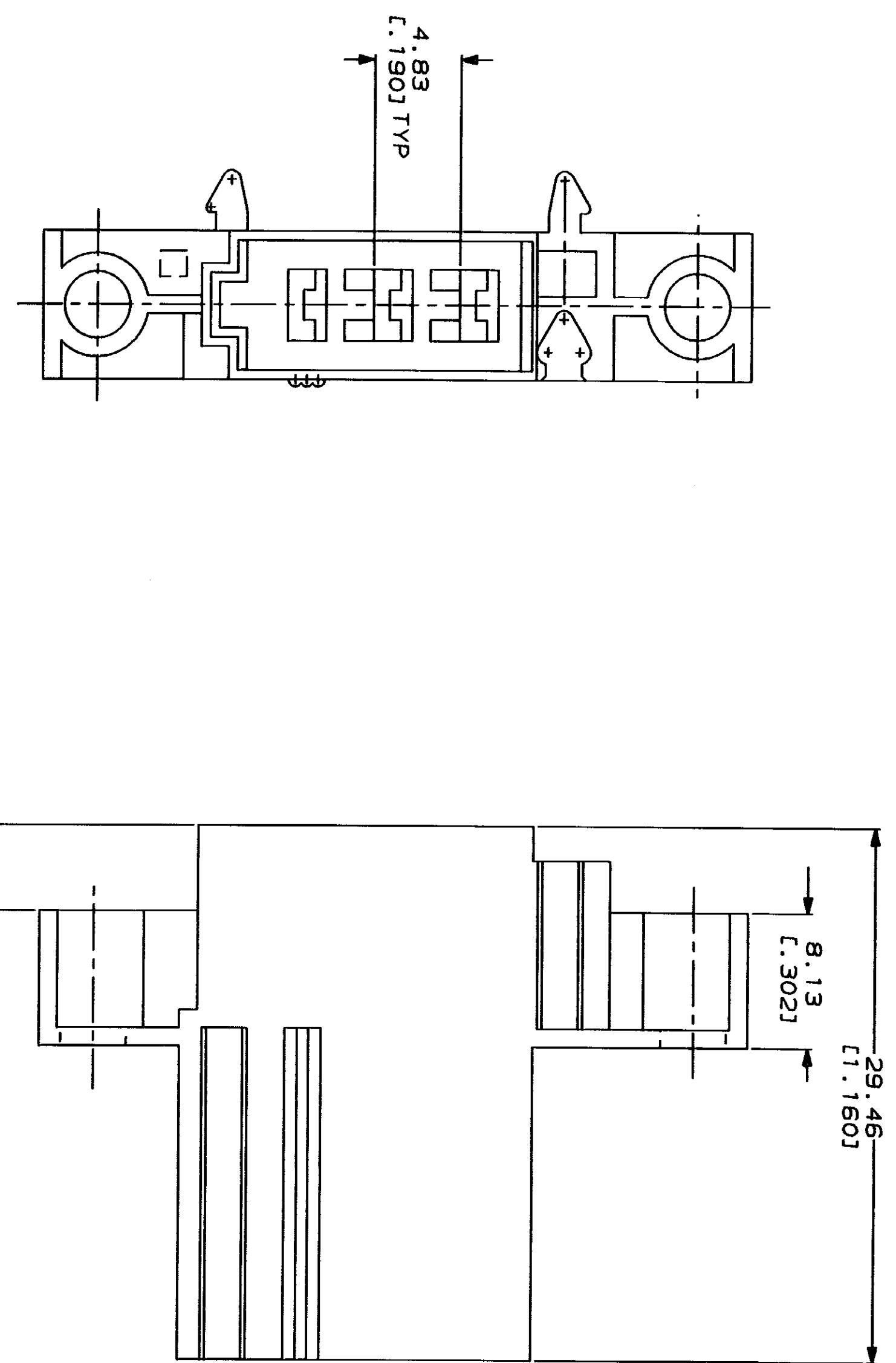


LOC	DIST	ZONE	LTR	DESCRIPTION	DATE	APPD
AF	50		U	REDRAWN PER 0085-94	2/23/94	JR/RB

REVISONS	
DESCRIPTION	DATE
REDRAWN PER 0085-94	2/23/94



- 1 USE TERMINAL 60434
- 2 FOR MOUNTING HOLE DIMENSIONS SEE CP-22678 AND CP-22893
- 3 FOR MOUNTING HOLE DIMENSIONS FOR 2-480251-0 SEE CP 24310

COLOR	PART NO
NATURAL	2-480251-0
RED	1-480251-9
BLACK	1-480251-8
GRAY	1-480251-7
VIOLET	1-480251-6
BLUE	1-480251-5
GREEN	1-480251-4
YELLOW	1-480251-3
ORANGE	1-480251-2
BROWN	1-480251-1
NATURAL	1-480251-0

DO NOT SCALE PRINT.
 UNLESS SPECIFIED
 DIMENSIONS IN mm [INCHES]
 TOLERANCES ON:
 2 PLC DEC ± 0.38 [L.015]
 3 PLC DEC ±
 ANGLES
 MATERIAL
 NYLON

DR 2/23/94
 JR R/TH
 CHK 2/23/94
 MS FEHER
 APPD 2/23/94
 R BEAVER
 R REINER
 PRODUCT SPEC

AMP
 AMP Incorporated
 Harrisburg, PA 17105-3608
 HOUSING, TAB, FASTON,
 4.75 [L.187] SERIES

FINISH	APPLICATION SPEC	WEIGHT	SCALE	SIZE	CAGE CODE	DRAWING NO	SHEET
SEE TABLE			4:1	C	00779	480251	1 OF 1

THIS DRAWING IS A CONTROLLED DOCUMENT FOR AMP INCORPORATED. IT IS SUBJECT TO CHANGE WITHOUT NOTICE. THE LATEST REVISION SHOULD BE CONTACTED FOR THE LATEST REVISION.