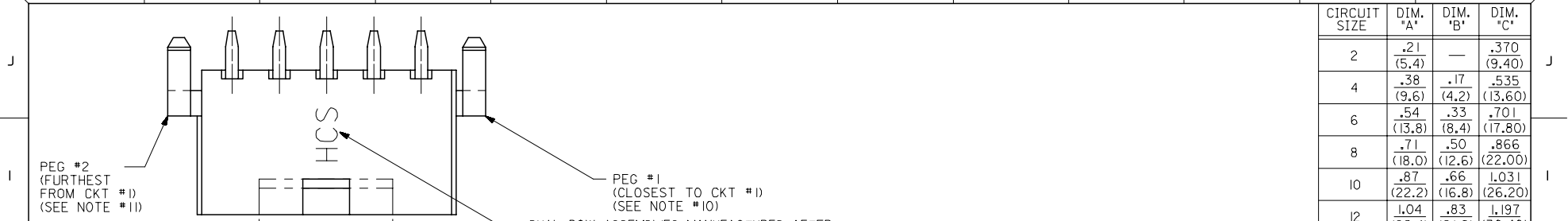
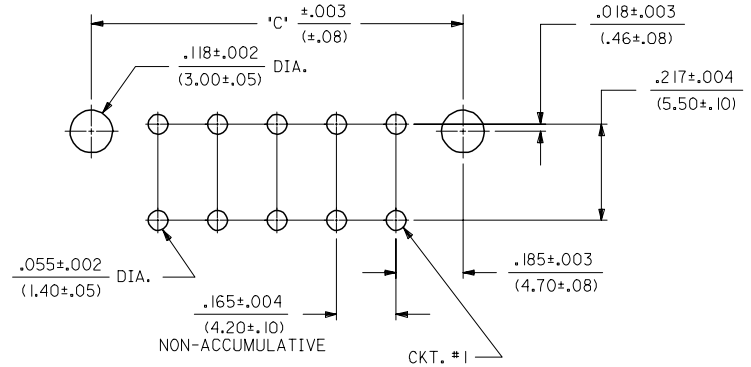
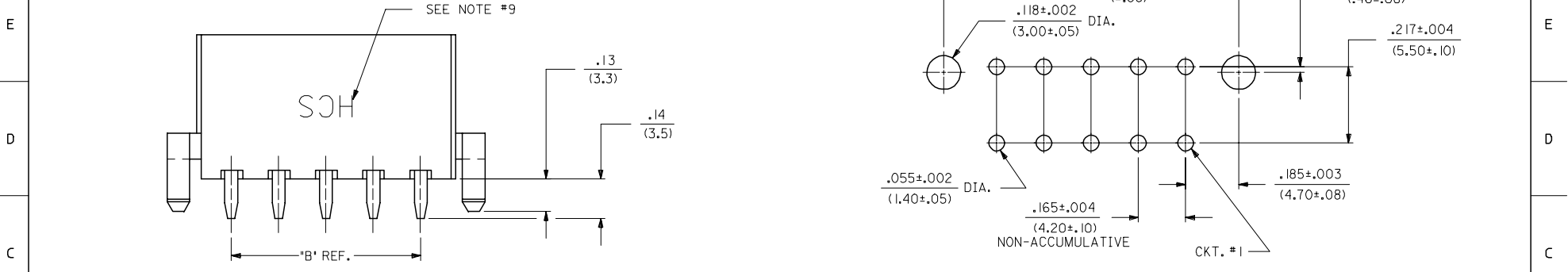
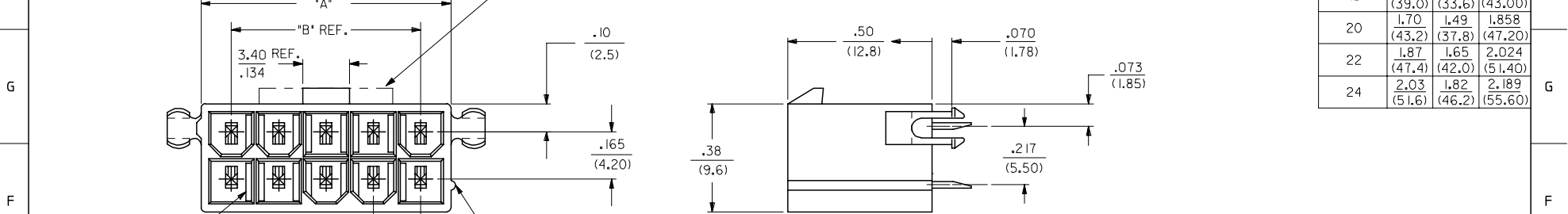
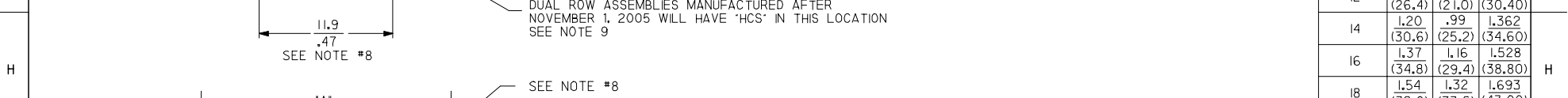


13 12 11 10 9 8 7 6 5 4 3 2 1



CIRCUIT SIZE	DIM. 'A'	DIM. 'B'	DIM. 'C'
2	.21 (5.4)	—	.370 (9.40)
4	.38 (9.6)	.17 (4.2)	.535 (13.60)
6	.54 (13.8)	.33 (8.4)	.701 (17.80)
8	.71 (18.0)	.50 (12.6)	.866 (22.00)
10	.87 (22.2)	.66 (16.8)	1.031 (26.20)
12	1.04 (26.4)	.83 (21.0)	1.197 (30.40)
14	1.20 (30.6)	.99 (25.2)	1.362 (34.60)
16	1.37 (34.8)	1.16 (29.4)	1.528 (38.80)
18	1.54 (39.0)	1.32 (33.6)	1.693 (43.00)
20	1.70 (43.2)	1.49 (37.8)	1.858 (47.20)
22	1.87 (47.4)	1.65 (42.0)	2.024 (51.40)
24	2.03 (51.6)	1.82 (46.2)	2.189 (55.60)



RECOMMENDED HOLE LAYOUT FOR .070/(1.78) MAX. THICK P. C. BOARD
VIEWED FROM COMPONENT SIDE

SEE SHT. I FOR SINGLE ROW

STANDARDIZE NOTES EC NO: UCP2008-0153 DRAWN: SCHMIDT 2007/09/26 CHKD: ADERR 2007/09/26 APPR: FSM TH 2007/09/26	QUALITY SYMBOLS 	GENERAL TOLERANCES (UNLESS SPECIFIED)		DIMENSION STYLE IN/MM		SCALE 4:1	DESIGN UNITS METRIC	THIRD ANGLE PROJECTION	
		mm	INCH	DRAWN BY	DATE	TITLE			
		4 PLACES ± --- ± ---	± .015	GEP	1994/07/26	MINI-FIT VERT HDR ASSY W & W/O PEGS/DRAIN HOLES SINGLE AND DUAL ROW			
		3 PLACES ± --- ± .020	± .020	RJF	1994/07/26	MOLEX INCORPORATED			
2 PLACES ± 0.38 ± .020	± ---	APPROVED BY	DATE	MATERIAL NO.		DOCUMENT NO.		SHEET NO.	
1 PLACE ± 0.50 ± ---	ANGULAR ±1/2°	RJF	1994/07/26	SEE CHARTS		SDA-44472-****		2 OF 10	
DRAFT WHERE APPLICABLE MUST REMAIN WITHIN DIMENSIONS		THIS DRAWING CONTAINS INFORMATION THAT IS PROPRIETARY TO MOLEX INCORPORATED AND SHOULD NOT BE USED WITHOUT WRITTEN PERMISSION							

12 11 10 9 8 7 6 5 4 3 2 1

13 12 11 10 9 8 7 6 5 4 3 2 1

J	PLATING:	1 (SEE NOTE 2)			PLATING:	1 (SEE NOTE 2)			PLATING:	1 (SEE NOTE 2)			PIN NO:			
	DRAINS:	WITH DRAIN HOLES			DRAINS:	WITH DRAIN HOLES			DRAINS:	WITH DRAIN HOLES			DRAINS:			
	PEGS:	WITHOUT PEGS			PEGS:	WITHOUT PEGS			PEGS:	WITH PEGS			PEGS:			
	MAT'L:	94V-2 [NATURAL]			MAT'L:	94V-0 [NATURAL]			MAT'L:	94V-2 [BLACK]			MAT'L:			
	PACKAGING:	PK-44472-001			PACKAGING:	PK-44472-001			PACKAGING:	PK-44472-001			PACKAGING:			
I	ITEM NO.			CKTS	ITEM NO.			CKTS	ITEM NO.			CKTS	ITEM NO.			CKTS
	44472-0256			2	44472-0257			2	44472-0258			2	-	-		
	44472-0456			4	44472-0457			4	44472-0458			4	-	-		
	44472-0656			6	44472-0657			6	44472-0658			6	-	-		
	44472-0856			8	44472-0857			8	44472-0858			8	-	-		
	44472-1056			10	44472-1057			10	44472-1058			10	-	-		
	44472-1256			12	44472-1257			12	44472-1258			12	-	-		
	44472-1456			14	44472-1457			14	44472-1458			14	-	-		
	44472-1656			16	44472-1657			16	44472-1658			16	-	-		
	44472-1856			18	44472-1857			18	44472-1858			18	-	-		
H	44472-2056			20	44472-2057			20	44472-2058			20	-	-		
	44472-2256			22	44472-2257			22	44472-2258			22	-	-		
	44472-2456			24	44472-2457			24	44472-2458			24	-	-		

G	PIN NO:		PIN NO:			
	PLATING:		PLATING:			
	DRAINS:		DRAINS:			
	PEGS:		PEGS:			
	MAT'L:		MAT'L:			
PACKAGING:		PACKAGING:				
F	ITEM NO.		CKTS	ITEM NO.		CKTS
	-	-		-	-	
	-	-		-	-	
	-	-		-	-	
	-	-		-	-	
	-	-		-	-	
	-	-		-	-	
	-	-		-	-	
	-	-		-	-	
	-	-		-	-	
E	-	-		-	-	
	-	-		-	-	
	-	-		-	-	
	-	-		-	-	
	-	-		-	-	
	-	-		-	-	
	-	-		-	-	
	-	-		-	-	
	-	-		-	-	
	-	-		-	-	
D	-	-		-	-	
	-	-		-	-	
	-	-		-	-	
	-	-		-	-	
	-	-		-	-	
	-	-		-	-	
	-	-		-	-	
	-	-		-	-	
	-	-		-	-	
	-	-		-	-	

A	B	C	D	E	F	G	H	I	J	PLATING REFERENCE EC NO: UCP2008-0153 DRW:LSCHMI DT 2007/09/26 CHKD:ADERR 2007/09/26 APPR:FSM TH 2007/09/26 REV DESCRIPTION	QUALITY SYMBOLS 	GENERAL TOLERANCES (UNLESS SPECIFIED) <table border="1"> <tr> <th></th> <th>mm</th> <th>INCH</th> </tr> <tr> <td>4 PLACES</td> <td>± .005</td> <td>± .0004</td> </tr> <tr> <td>3 PLACES</td> <td>± .005</td> <td>± .0004</td> </tr> <tr> <td>2 PLACES</td> <td>± .005</td> <td>± .0004</td> </tr> <tr> <td>1 PLACE</td> <td>± .005</td> <td>± .0004</td> </tr> <tr> <td colspan="3">ANGULAR ± .005°</td> </tr> </table>		mm	INCH	4 PLACES	± .005	± .0004	3 PLACES	± .005	± .0004	2 PLACES	± .005	± .0004	1 PLACE	± .005	± .0004	ANGULAR ± .005°			DIMENSION STYLE IN/MM DRAWN BY LEM DATE 1999/02/22 CHECKED BY MAB DATE 1999/02/22 APPROVED BY RRE DATE 1999/02/22	SCALE --- DESIGN UNITS METRIC THIRD ANGLE PROJECTION	TITLE MINI-FIT VERT HDR ASSY W & W/O PEGS/DRAIN HOLES SINGLE AND DUAL ROW	MATERIAL NO. SEE CHART	DOCUMENT NO. SDA-44472-****	SHEET NO. 4 OF 10
													mm	INCH																						
												4 PLACES	± .005	± .0004																						
												3 PLACES	± .005	± .0004																						
												2 PLACES	± .005	± .0004																						
1 PLACE	± .005	± .0004																																		
ANGULAR ± .005°																																				
DRAFT WHERE APPLICABLE MUST REMAIN WITHIN DIMENSIONS										THIS DRAWING CONTAINS INFORMATION THAT IS PROPRIETARY TO MOLEX INCORPORATED AND SHOULD NOT BE USED WITHOUT WRITTEN PERMISSION																										

13 12 11 10 9 8 7 6 5 4 3 2 1