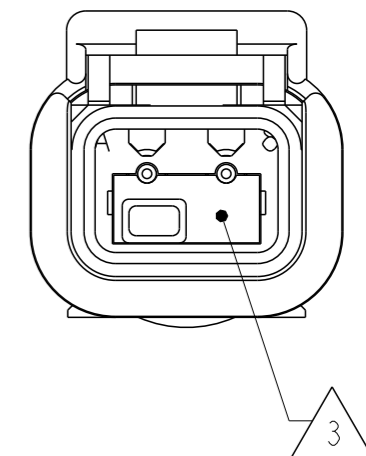
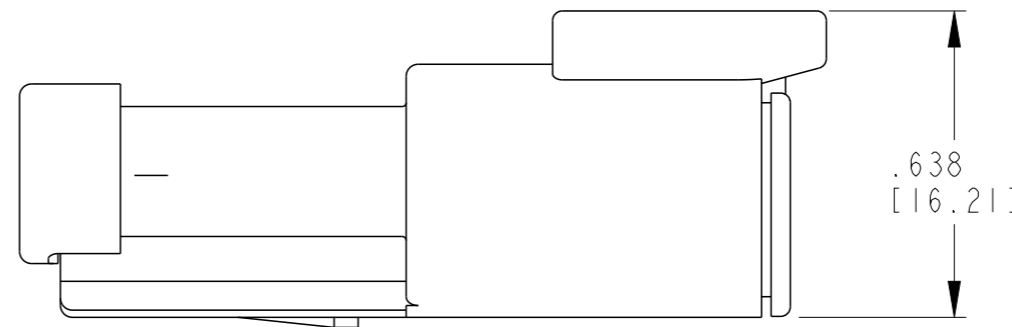
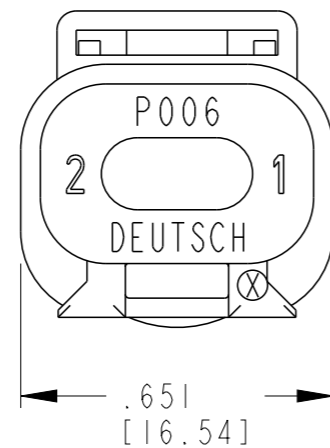
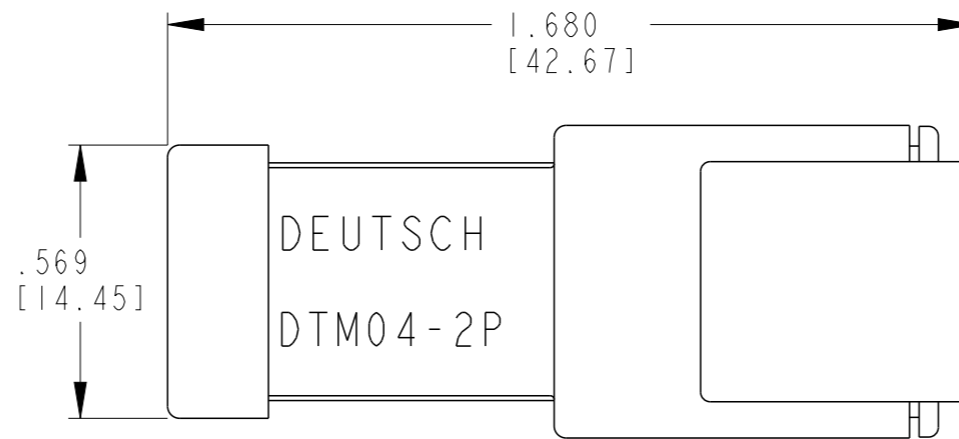
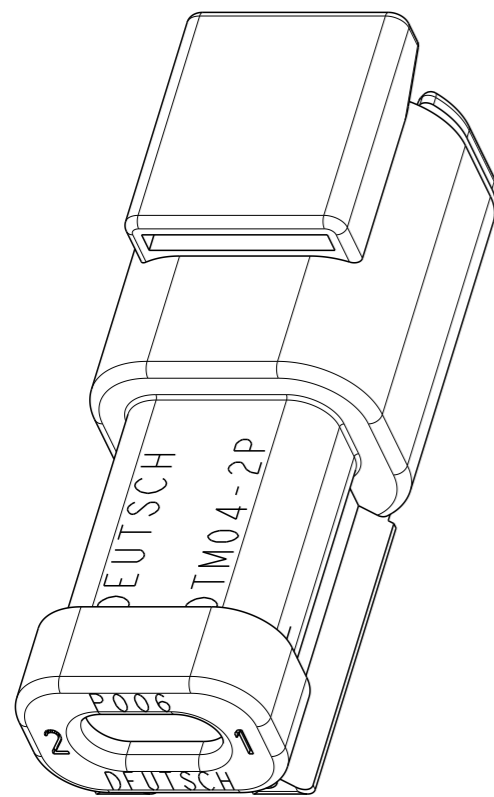


P	LTR	DESCRIPTION	DATE	DWN	APVD
NC		NEW RELEASE PER E.O. P15942	3-12-99	RDR	RDR
A		REVISED PER E.O. P17776	3/24/02	RDR	RDR
B		REVISED PER E.O. P20078	11-20-08	RDR	RDR
BI		REVISED PER PCN-22-138488	09MAY2022	MR	IG



7. MATERIAL - HOUSING: PA66 GF15 (GRAY); GROMMET/SEAL: VMQ (RED/ORANGE)

6. CONTACT FACTORY FOR SAE J1939-15 CONNECTOR USAGE.

5. THIS RECEPTACLE MATES WITH DTM06-2S-**** PLUG.
(**** = ALL MODIFICATIONS)

4. INTERNAL RESISTOR: 110Ω MIN., 120Ω NOM., 130Ω MAX., .4 WATTS MIN..

3. SECONDARY WEDGE LOCK IS INCLUDED WITH RECEPTACLE.

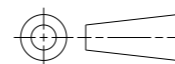
2. DELETED.

1. DELETED.

NOTES: UNLESS OTHERWISE SPECIFIED

THIS DRAWING IS A CONTROLLED DOCUMENT.

DIMENSIONS:
INCHES [mm]



TOLERANCES UNLESS OTHERWISE SPECIFIED:

0 PLC	±
1 PLC	±
2 PLC	±
3 PLC	±.025 [0.64]
4 PLC	±
ANGLES	±

MATERIAL



FINISH

-

DWN J. APOSTAL 05FEB2001

CHK V. TOMSA 13FEB2001

APVD R. REED 15FEB2001

PRODUCT SPEC
108-151010

APPLICATION SPEC
114-151010

WEIGHT -

CUSTOMER DRAWING



NAME
RECEPTACLE, A KEY
2 CONTACTS W/ RESISTOR COLOR: GREY
DTM SERIES

SIZE A3 CAGE CODE 00779 DRAWING NO. C=DTM04-2P-P006 RESTRICTED TO -

SCALE 2:1 SHEET 1 OF 1 REV BI