

THIS DRAWING IS UNPUBLISHED. RELEASED FOR PUBLICATION 20
 © COPYRIGHT 20 BY TYCO ELECTRONICS CORPORATION. ALL RIGHTS RESERVED.

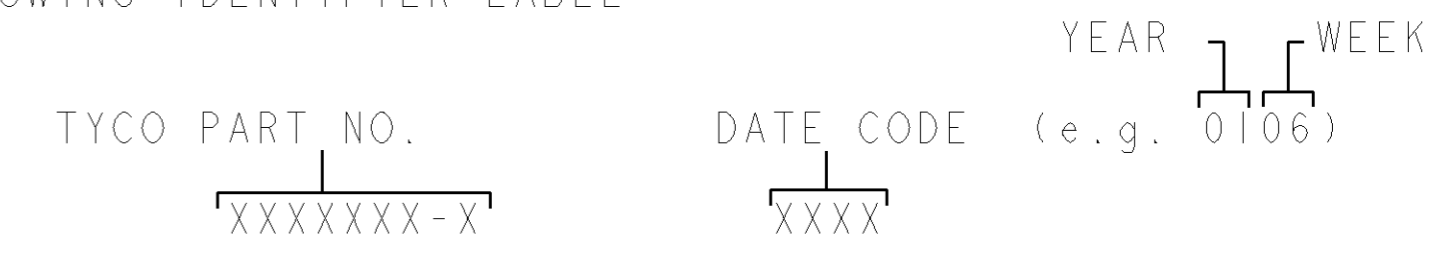
LOC	DIST	REVISIONS					
GP	00	P	LTR	DESCRIPTION	DATE	DWN	APVD
			A	RELEASED	16JAN2007	RG	PD

1. PART NUMBER CHANGES AND OR DESIGN CHANGES AFFECTING ITEM INTERCHANGEABILITY REQUIRE PRIOR TYCO APPROVAL AND AUTHORIZATION BY REVISION TO THIS DRAWING.

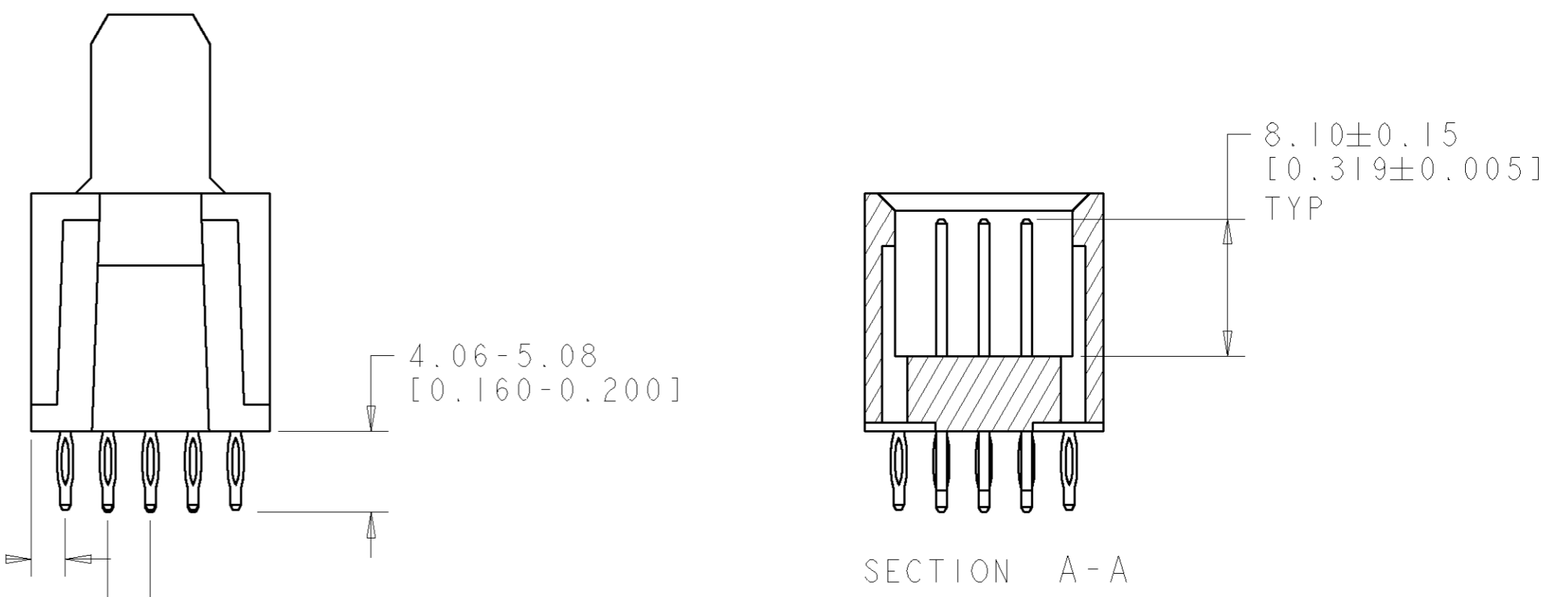
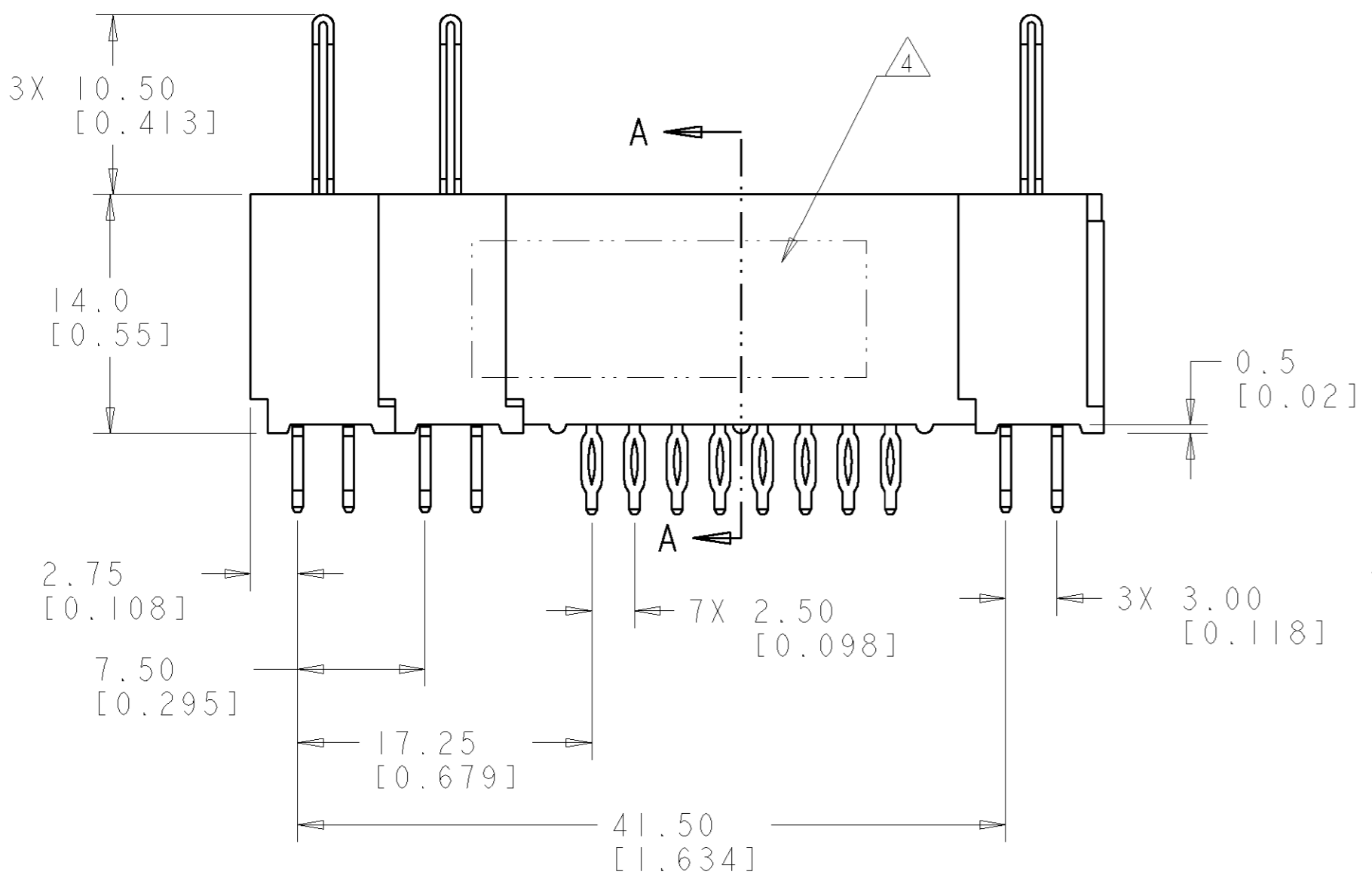
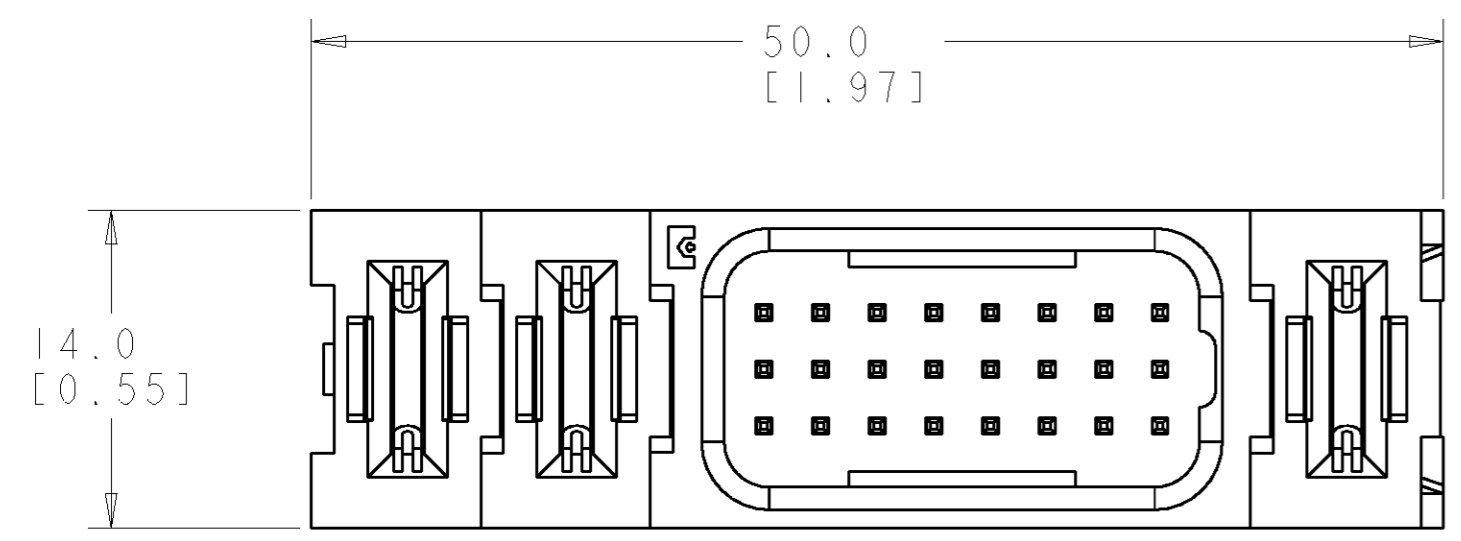
2. MATERIAL:
 INSULATORS - THERMOPLASTIC, GLASS REINFORCED, COLOR: BLACK UL94V-0 FLAMMABILITY RATED.
 CROWN BANDS - PHOSPHOR BRONZE
 COPPER ALLOY
 POWER CONTACTS - COPPER ALLOY
 SIGNAL CONTACTS - PHOSPHOR BRONZE

3. FINISH:
 CONTACTS - GOLD PLATE .000030" MIN. THK., OVER NICKEL .000050" MIN. THK.
 COMPLIANT TAILS, MATTE TIN .000040" MIN. THK. OVER NICKEL .000050" MIN THK.

△ ITEMS PROVIDED TO THIS SPECIFICATION TO BE PERMANENTLY IDENTIFIED PER THE FOLLOWING IDENTIFIER LABEL



5. CONNECTOR MATES WITH TYCO PART NO. 1926353-1

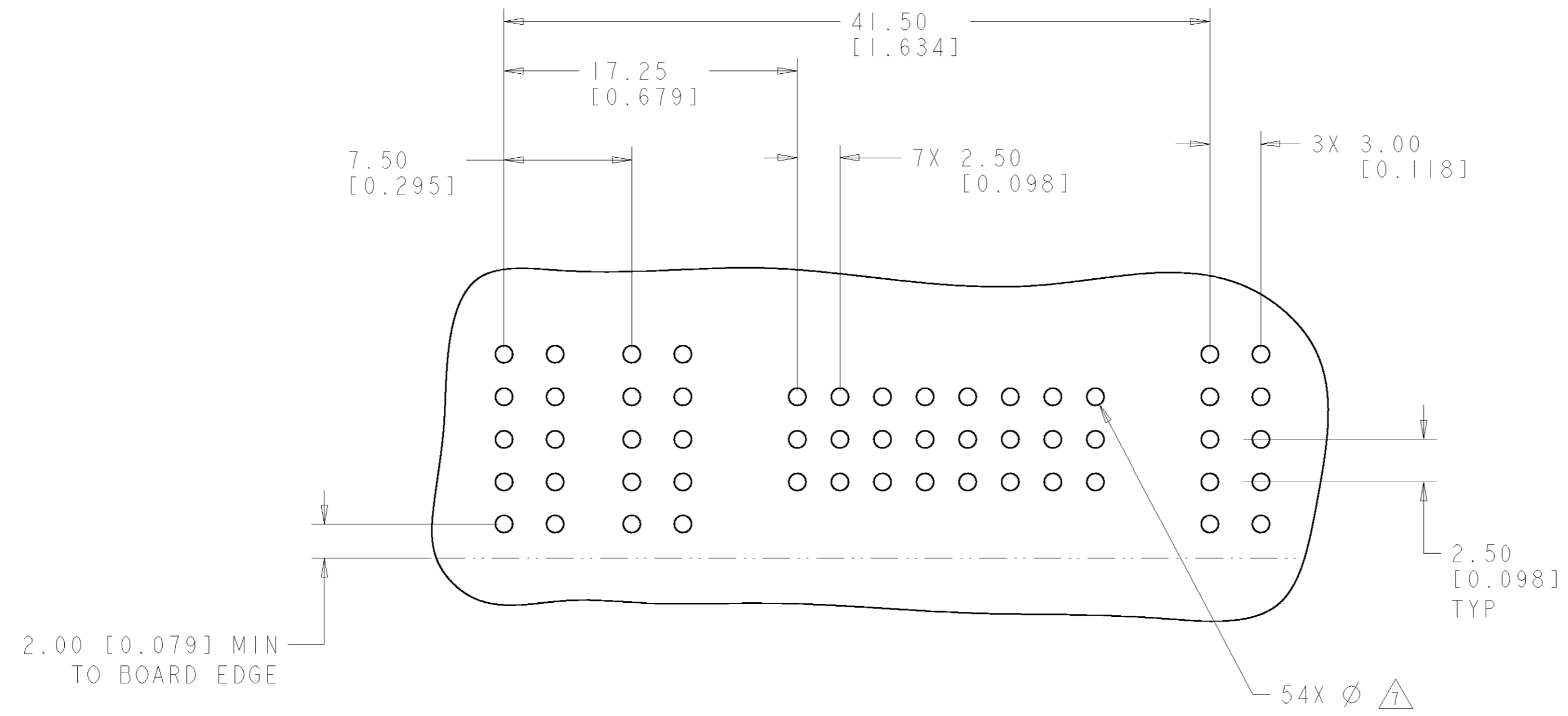


ELCON FLATPAQ

THIS DRAWING IS A CONTROLLED DOCUMENT FOR TYCO ELECTRONICS CORPORATION IT IS SUBJECT TO CHANGE AND THE CONTROLLING ENGINEERING ORGANIZATION SHOULD BE CONTACTED FOR THE LATEST REVISION.		DWN R. GRZYBOWSKI 04 JAN 07	AS SHOWN		1926352-1
DIMENSIONS: mm [INCHES]		CHK P. DAMATO 04 JAN 07	DESCRIPTION		PART NUMBER
TOLERANCES UNLESS OTHERWISE SPECIFIED: 0 PLC ±.5 [.020] 1 PLC ±.25 [.010] 2 PLC ±.25 [.010] 3 PLC ±.25 [.010] 4 PLC ±.25 [.010] ANGLES ±.5		APVD S. ELLCKINGER 04 JAN 07	NAME		tyco Electronics Tyco Electronics Harrisburg, PA 17105-3608
MATERIAL		PRODUCT SPEC	STRAIGHT PIN CONNECTOR COMPLIANT PRESS FIT FLATPAQ		RESTRICTED TO
		APPLICATION SPEC	SIZE	CAGE CODE	DRAWING NO.
		WEIGHT	A2	00779	G-1926352
		CUSTOMER DRAWING	SCALE	SHEET	OF
			4:1	1	3
				REV	A

THIS DRAWING IS UNPUBLISHED. RELEASED FOR PUBLICATION 20
 © COPYRIGHT 20 BY TYCO ELECTRONICS CORPORATION. ALL RIGHTS RESERVED.

LOC	DIST	REVISIONS					
GP	00	P	LTR	DESCRIPTION	DATE	DWN	APVD
		-		SEE SHEET 1	-	-	-



PRINTEC CIRCUIT LAYOUT
 COMPONENT SIDE

CONNECTOR	CATALOG MODULE #	QTY	SIZE NO.	CONTACT QTY	MATING PIN	MAX. CURRENT (PER CONTACT)	CONTACT SPACING	VOLTAGE RATING
PIN	FP400	1	22	24	.64 [.025] SQ.	3 amps	2.50 [.0984]	125
	FP201	3	8	6	1.25 X 7.00 [.049 X .276]	35 amps	7.50 [.2953]	250

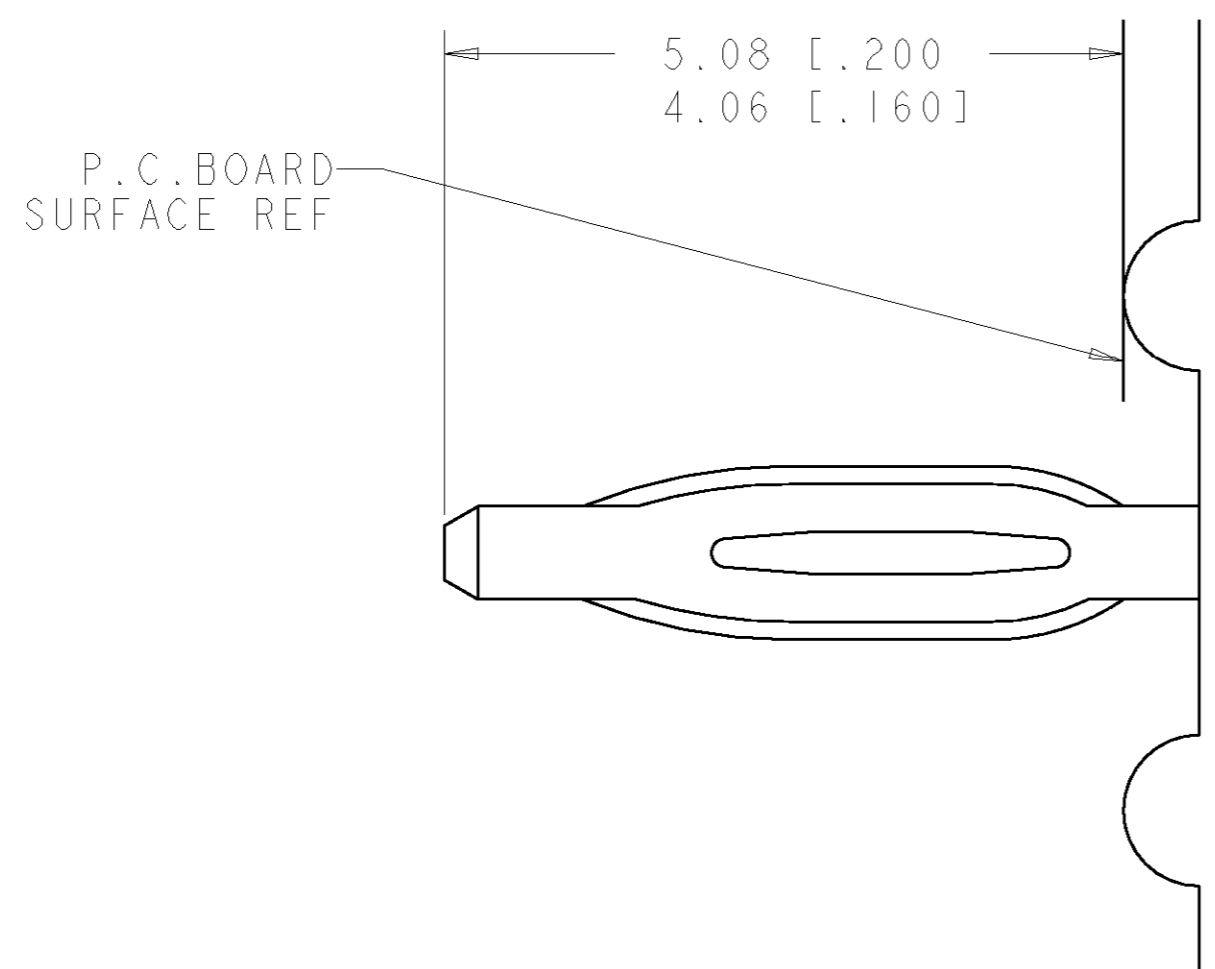
THIS DRAWING IS A CONTROLLED DOCUMENT FOR TYCO ELECTRONICS CORPORATION. IT IS SUBJECT TO CHANGE AND THE CONTROLLING ENGINEERING ORGANIZATION SHOULD BE CONTACTED FOR THE LATEST REVISION.

DWN R. GRZYBOWSKI 04 JAN 07	 Tyco Electronics Harrisburg, PA 17105-3608	NAME STRAIGHT PIN CONNECTOR COMPLIANT PRESS FIT FLATPAQ
CHK P. DAMATO 04 JAN 07		
APVD S. FLICKINGER 04 JAN 07		
PRODUCT SPEC -		
MATERIAL -	APPLICATION SPEC -	RESTRICTED TO -
DIMENSIONS: mm [INCHES]		TOLERANCES UNLESS OTHERWISE SPECIFIED: 0 PLC ±.5 [.020] 1 PLC ±.25 [.010] 2 PLC ±.25 [.010] 3 PLC ±. 4 PLC ±. ANGLES ±.5 FINISH
MATERIAL -		WEIGHT -
CUSTOMER DRAWING		SCALE 4:1 SHEET 2 OF 3 REV A

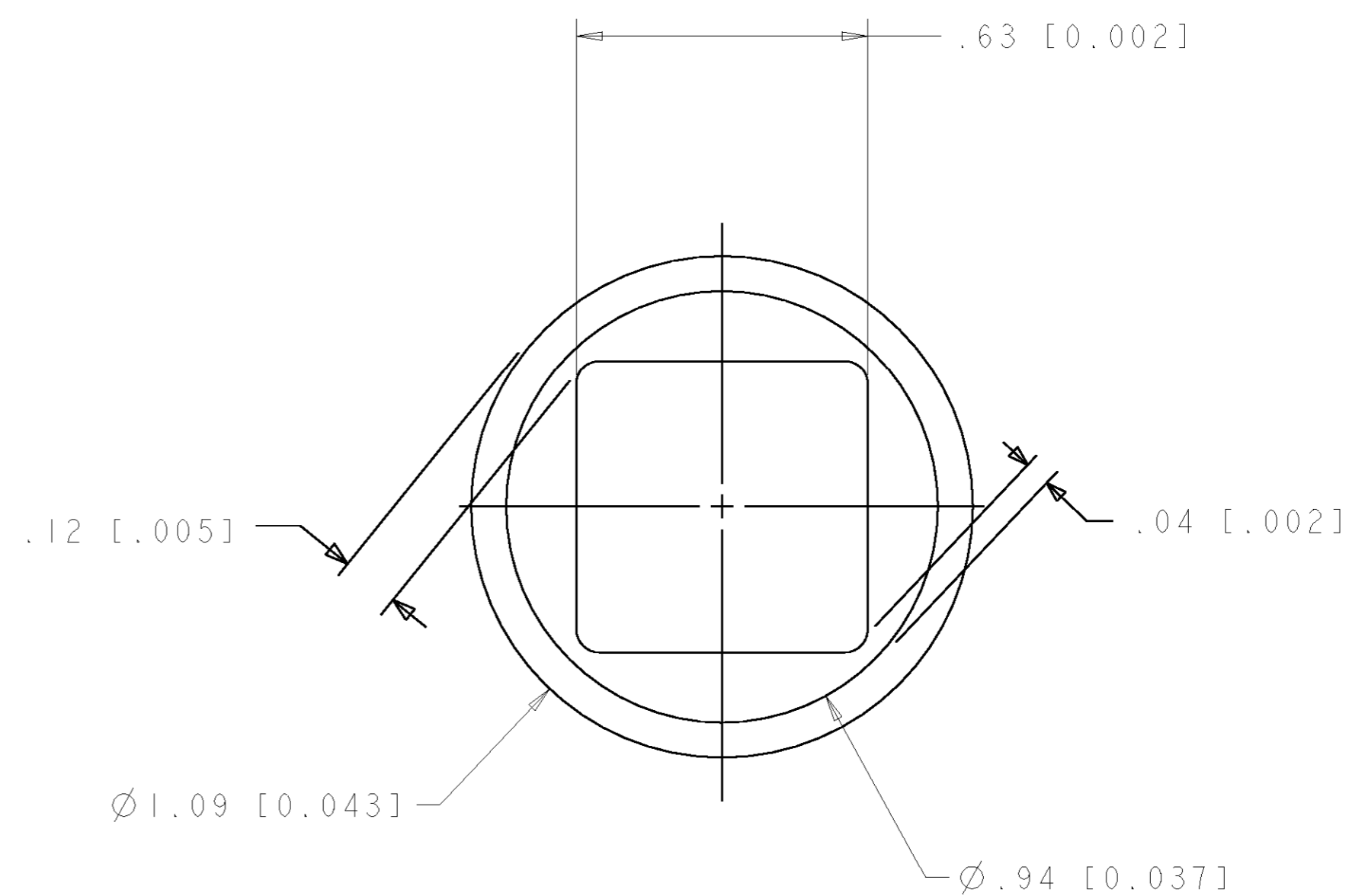
THIS DRAWING IS UNPUBLISHED. RELEASED FOR PUBLICATION 20

© COPYRIGHT 20 BY TYCO ELECTRONICS CORPORATION. ALL RIGHTS RESERVED.

LOC	DIST	REVISIONS			
P	LTR	DESCRIPTION	DATE	DWN	APVD
GP	00	-	SEE SHEET 1	-	-



6. COMPLIANT PIN DETAIL
SCALE 10 : 1
INSERTION/EXTRACTION FORCES
MAXIMUM PUSH IN: 133.3N PER PIN
[30 LBS]
MINIMUM PUSH OU: 44.4N PER PIN
[10 LBS]



△ SOLDER TERMINATION AREA
SCALE 40:1
RECOMMENDED PRINTED CIRCUIT HOLE
COMPLIANT PRESS FIT
DRILLED HOLE: Ø 1.15 [.0453] ± .013 [.0005]
COPPER PLATE: .025 [.0010] MIN
TIN PLATE: .008 [.0003] MIN. (PER SURFACE)

THIS DRAWING IS A CONTROLLED DOCUMENT FOR TYCO ELECTRONICS CORPORATION IT IS SUBJECT TO CHANGE AND THE CONTROLLING ENGINEERING ORGANIZATION SHOULD BE CONTACTED FOR THE LATEST REVISION.		DWN R. GRZYBOWSKI 04 JAN 07	Tyco Electronics Harrisburg, PA 17105-3608
DIMENSIONS: mm [INCHES]		CHK P. DAMATO 04 JAN 07	
TOLERANCES UNLESS OTHERWISE SPECIFIED: 0 PLC ± .5 [.020] 1 PLC ± .5 [.020] 2 PLC ± .25 [.010] 3 PLC ± .5 [.020] 4 PLC ± .5 [.020] ANGLES ± .5		APVD S. FLICKINGER 04 JAN 07	NAME STRAIGHT PIN CONNECTOR COMPLIANT PRESS FIT FLATPAQ
MATERIAL	-	PRODUCT SPEC - APPLICATION SPEC - WEIGHT -	SIZE A200779
CUSTOMER DRAWING		DRAWING NO G-1926352	RESTRICTED TO -
AMP 1471-9 REV 31MAR2000		SCALE 4:1	SHEET 3 OF 3 REV A