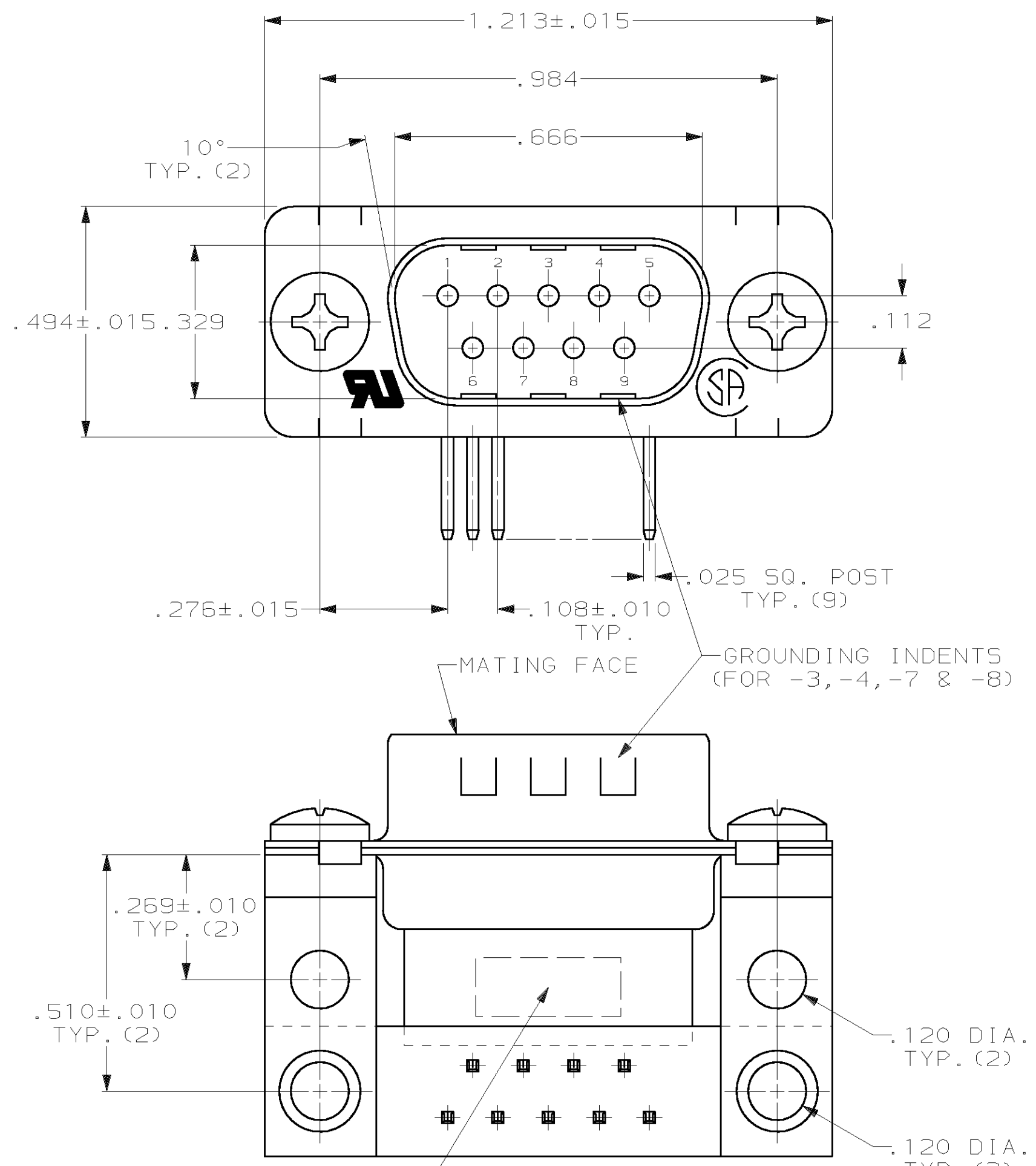
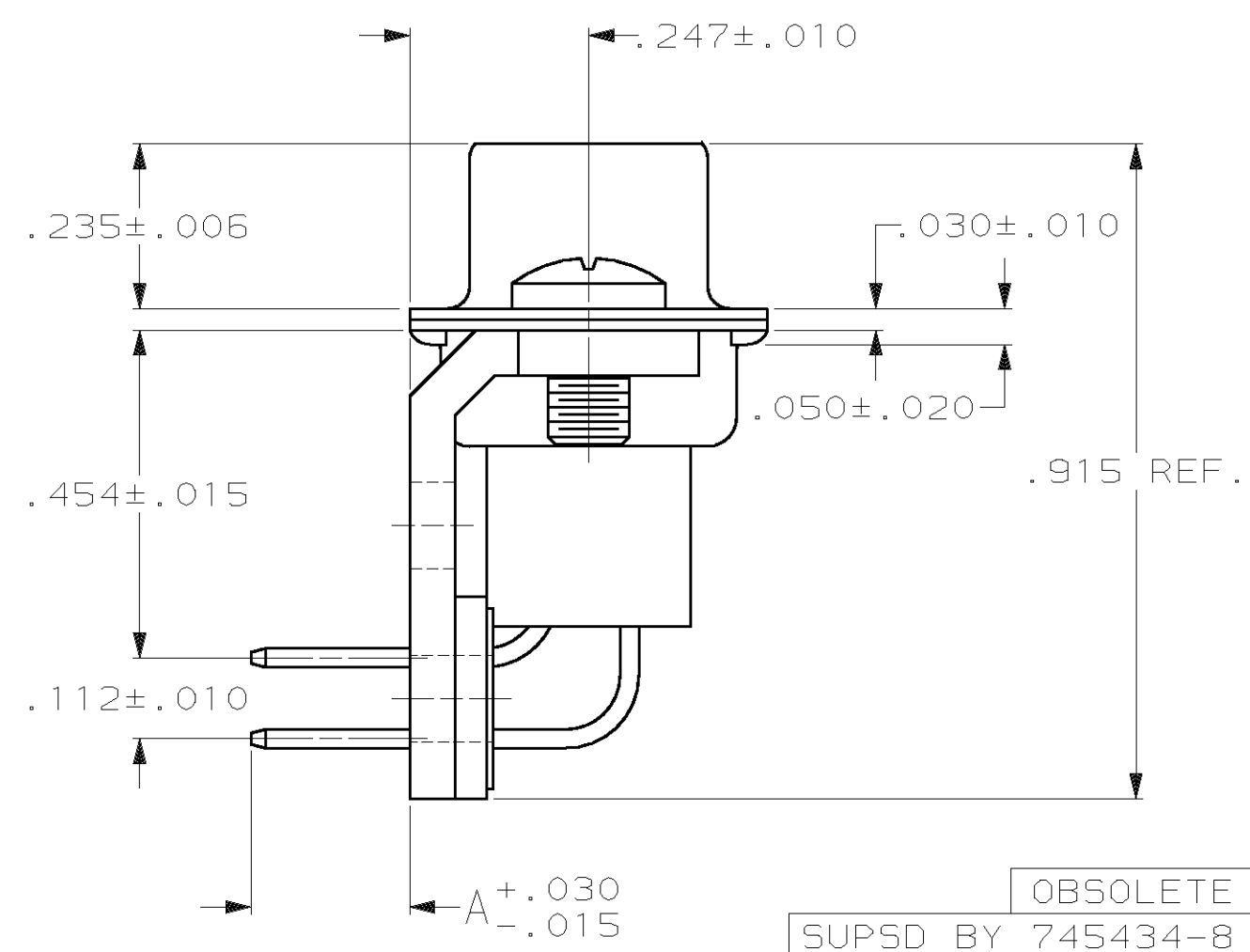


LOC	DIST	P	F	ZONE	LTR	DESCRIPTION	DATE	APPD
GP	00							
					J	SUPSD -6 PER EC 0020-423-95	22 AUG 95	RT
					K	REV PER EC 0640-429-98	17 FEB 99	RT
					L	OBS -7 PER EC 0U1D-0267-00	05 FEB 01	DK
					M	REV PER EC 0U1D-0275-00	03JAN02	JR

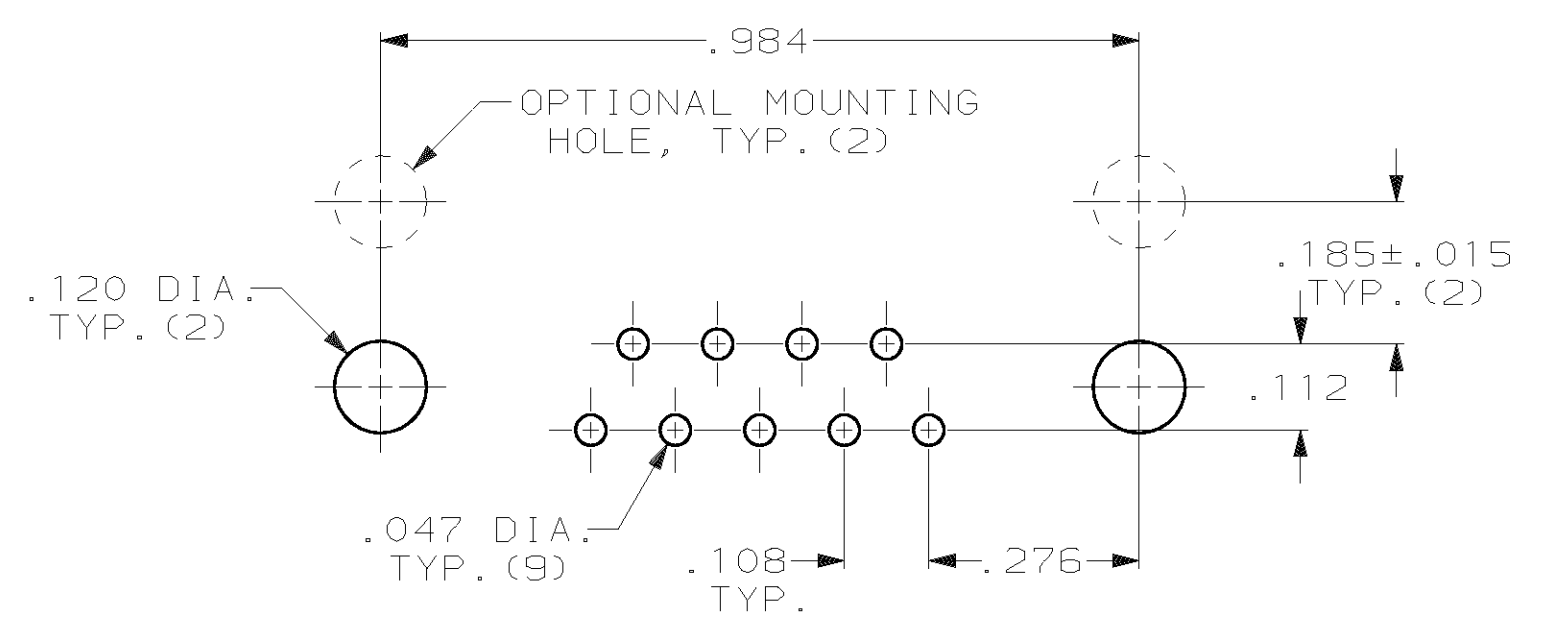


- CONNECTOR MATES WITH ANY 9 POS. RECEPTACLE IN AMPLIMITE SERIES & COMPLIES WITH AMP SPEC. 108-40,005 WHERE APPLICABLE.
- FLAME RETARDANT 94V-0 RATED THERMOPLASTIC; COLOR: BLACK.
- STEEL PER ASTM A109.
- BRASS PER MIL-C-50.
- TIN PLATING PER MIL-T-10727, GOLD PLATING PER MIL-G-45204, NICKEL PLATING PER QQ-N-290.
- TIN PLATED.
- GOLD PLATED FOR LENGTH OF .150 MIN FROM MATING END, GOLD FLASH IN MATED AREA, .000100 MIN TIN-LEAD ON OPPOSITE END, BOTH OVER .000050 MIN NICKEL.
- GOLD PLATED FOR LENGTH OF .150 MIN FROM MATING END, .000030 MIN GOLD IN MATED AREA, .000100 MIN TIN-LEAD ON OPPOSITE END, BOTH OVER .000050 MIN NICKEL.



	.125	8	745434-8
	.125	7	745434-7
SUPSD BY 745434-8	.125	8	745434-6
SUPSD BY 745434-7	.125	7	745434-5
	.220	8	745434-4
	.220	7	745434-3
	.220	8	745434-2
	.220	7	745434-1

"AMP", PART NO. & DATE CODE, MARKED IN AREA INDICATED, ON FAR SIDE



P.C. BOARD MOUNTING DIMENSIONS

THIS DRAWING IS A CONTROLLED DOCUMENT FOR AMP INCORPORATED. IT IS SUBJECT TO CHANGE AND THE CONTROLLING ENGINEERING ORGANIZATION SHOULD BE CONTACTED FOR THE LATEST REVISION.

DO NOT SCALE PRINT. UNLESS SPECIFIED DIMENSIONS IN INCHES TOLERANCES ON : 2 PLC DEC ± - 3 PLC DEC ± .005 ANGLES ± 2°	DR 12-29-83 J. GERACE CHK 12-29-83 J. GERACE APPD 3-15-84 P. SWEIGARD APPD 3-15-84 J. ASSINI	AMP Incorporated Harrisburg, PA 17105-3608		
MATERIAL MOLDED PARTS: 2 SHELLS & BRACKETS: 3 CONTACTS: 4	PRODUCT SPEC -			NAME PLUG ASSEMBLY, SIZE 1, 9 POS., RIGHT ANGLE, .454 SERIES, .025 SQ. POSTS, AMPLIMITE™ HDP
FINISH 5 SHELLS & BRACKETS: 6 CONTACTS: SEE TABLE	APPLICATION SPEC -	SIZE C	CAGE CODE 00779	DRAWING NO C=745434
	WEIGHT -	SCALE NTS		SHEET 1 OF 1