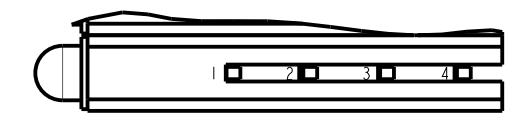
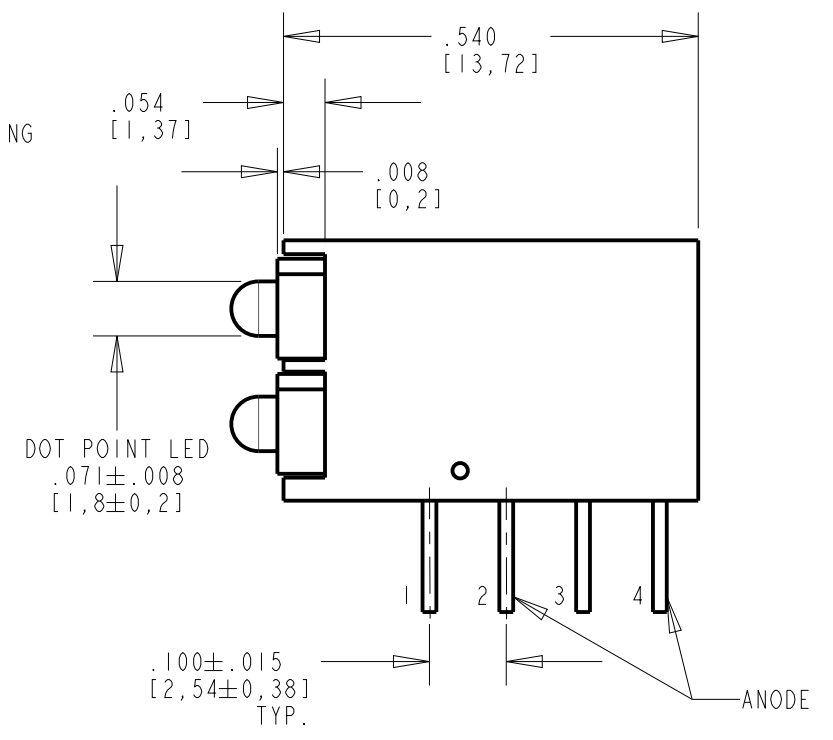
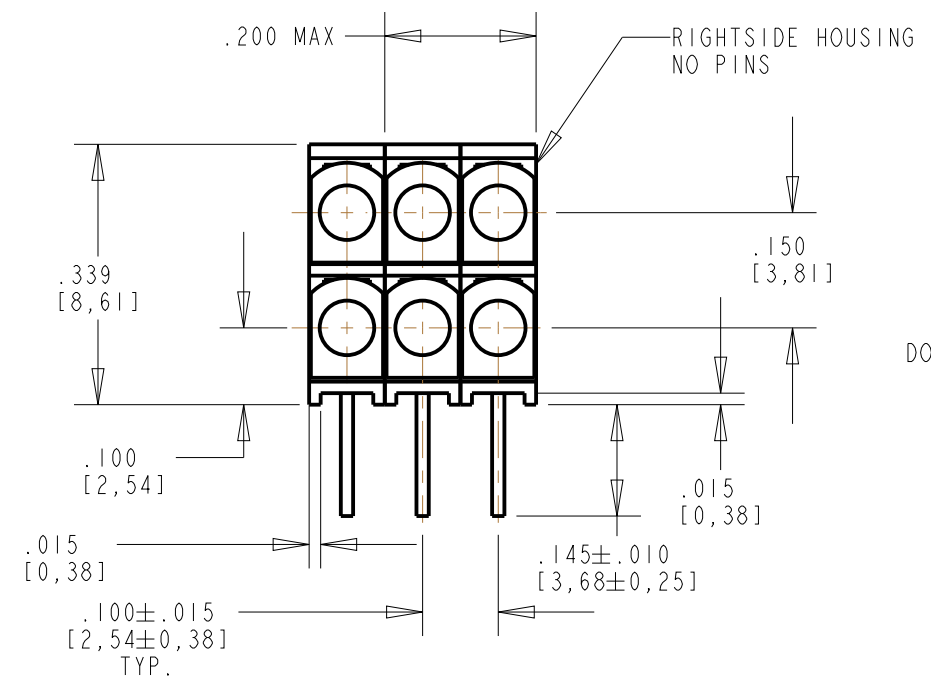
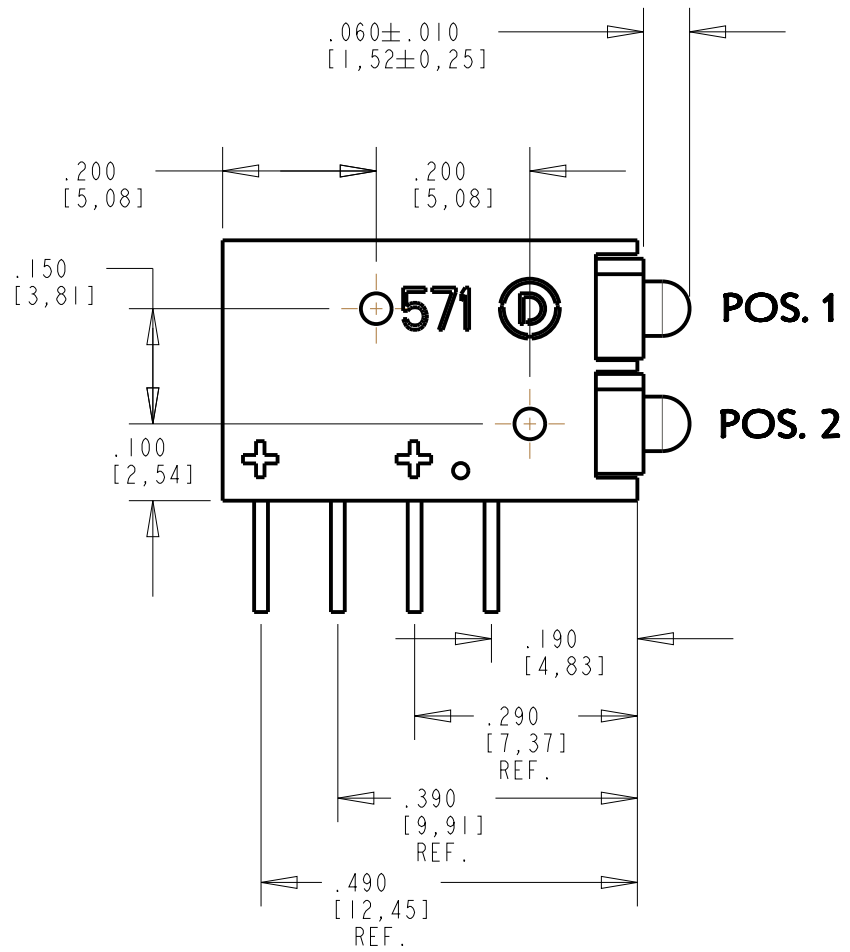


ASSY NO.	LED COLOR (DIFFUSED)	
	POS. 1	POS. 2
571-0123-812F	GREEN	YELLOW

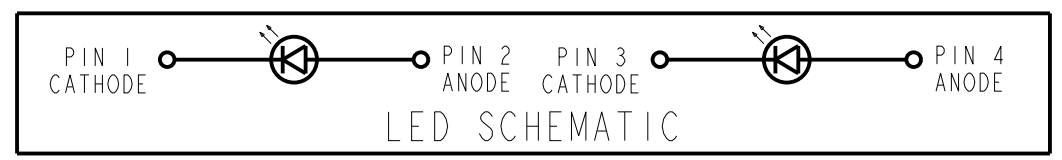
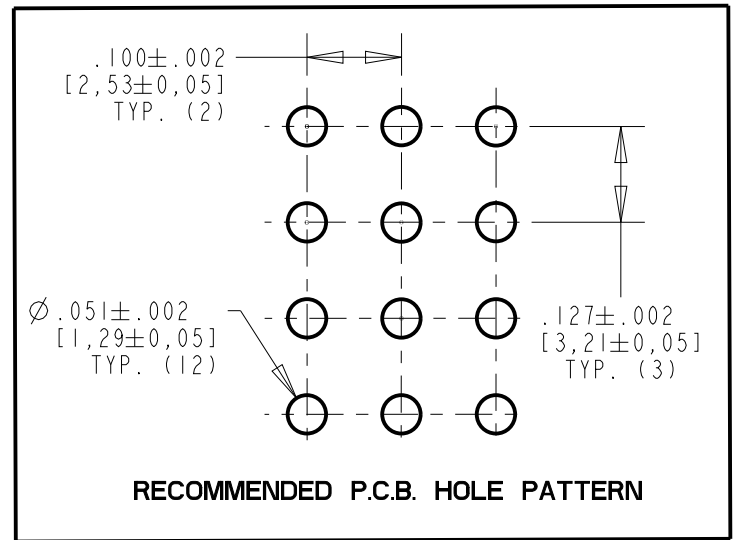
REV	ECN NO	REVISIONS	DRN	CKD	APP	DATE
A		NEW RELEASE	JTD	KLJ	NO	2-17-12

**RoHS Compliant 571-0123-812F, 2X3 ARRAY CBI**  
 Part Numbers with the "F" suffix ending are RoHS Compliant. Packaging is marked with "RoHS Compliant" label or equivalent markings. Parts can be wave soldered, dip soldered or hand soldered using typical lead-free soldering process with max 260°C temp. for 5 sec.



OPERATING CHARACTERISTICS AT 25°C AMBIENT						
CHARACTERISTICS	COLOR	MIN	TYP	MAX	UNITS	TEST CONDITIONS
LUMINOUS INTENSITY	GREEN	5	10		mcd	I <sub>f</sub> = 10 mA
	YELLOW	5	8			
FORWARD VOLTAGE	GREEN		2.2	2.5	V	I <sub>f</sub> = 20 mA
	YELLOW		2.1	2.5		
DOMINANT WAVELENGTH	GREEN		568		nm	
	YELLOW		588			
PEAK EMISSION WAVELENGTH	GREEN		565		nm	
	YELLOW		590			
VIEWING ANGLE 2θ1/2	GREEN		70		Degree	
	YELLOW		70			
CAPACITANCE	GREEN		15		pF	V <sub>f</sub> = 0 V, f = 1 MHz
	YELLOW		20			

ABSOLUTE MAXIMUM RATING AT 25°C AMBIENT			
	GREEN	YELLOW	UNITS
POWER DISSIPATION	105	105	mW
FORWARD CURRENT	25	30	mA
DERATING LINEAR FROM 25 °C	.33	.40	mA/°C
REVERSE VOLTAGE	5		V
LEAD SOLDERING TEMPERATURE, 5 SEC., 1/16" FROM BODY	260		°C
OPERATING TEMPERATURE	-40 TO +85		°C
STORAGE TEMPERATURE	-40 TO +85		°C



NOTES:

- LED LEAD DIMENSIONS ARE MEASURED AT HOUSING EXIT.
- PIN NUMBERS FOR REFERENCE ONLY, DESIGNATION NON-EXISTENT ON PARTS.
- DIALIGHT PART NUMBER - 571-0123-812F
- THIS ASSEMBLY CONTAINS ELECTROSTATIC DISCHARGE SENSITIVE DEVICES (ESDS). MAINTAIN ALL PRECAUTIONARY MEASURES DURING ASSEMBLY, HANDLING AND STORAGE IN ACCORDANCE WITH IPC-A-610.



**ATTENTION:**  
 OBSERVE PRECAUTIONS FOR HANDLING ELECTROSTATIC SENSITIVE DEVICES

THIS DRAWING AND THE CONTENTS HEREIN ARE CONFIDENTIAL AND THE SOLE PROPERTY OF DIALIGHT. REPRODUCTION OF THIS DRAWING OR CONSTRUCTION OF ANY PARTS WITHIN THIS DRAWING ARE FORBIDDEN WITHOUT THE WRITTEN CONSENT OF DIALIGHT.		
SCALE: 4.000 ALL DIM'S IN: INCHES (MM)	DRAWING NUMBER C-17956	REV A
TOLERANCES: UNLESS OTHERWISE SPECIFIED FRACTIONS: ±1/64 DECIMALS (.XX): ±.02 DECIMALS (.XXX): ±.010	TITLE 1.8mm CBI 2X3 ARRAY RoHS COMPLIANT	
ANGLES: ±1° FINISH:	MATERIAL	
FSCM 83330	1501 ROUTE 34 SOUTH FARMINGDALE, NJ 07727	
SHEET 1 OF 1 FAMILY TABLE:		