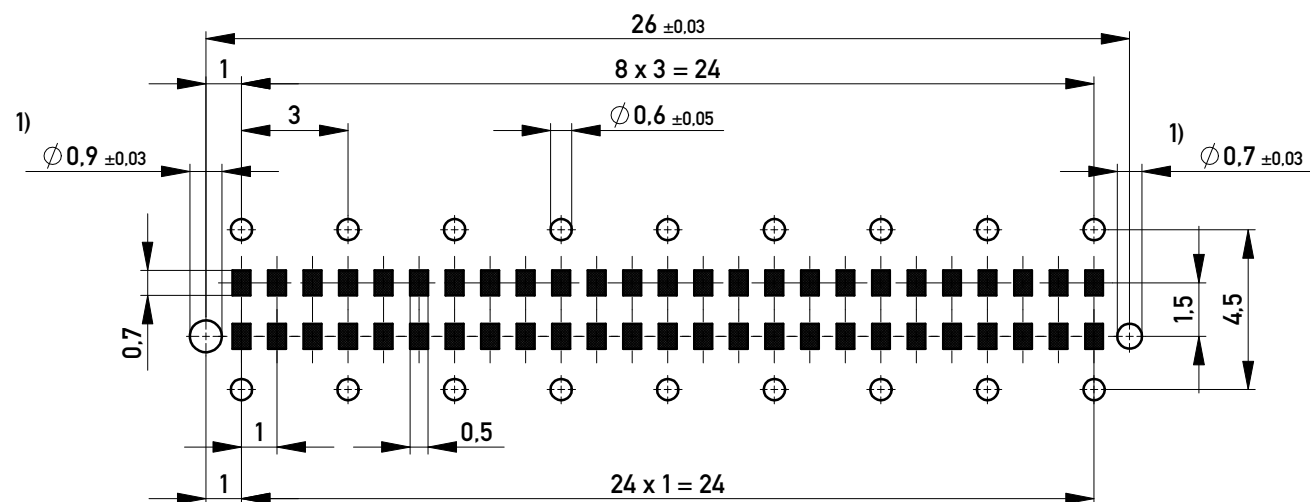
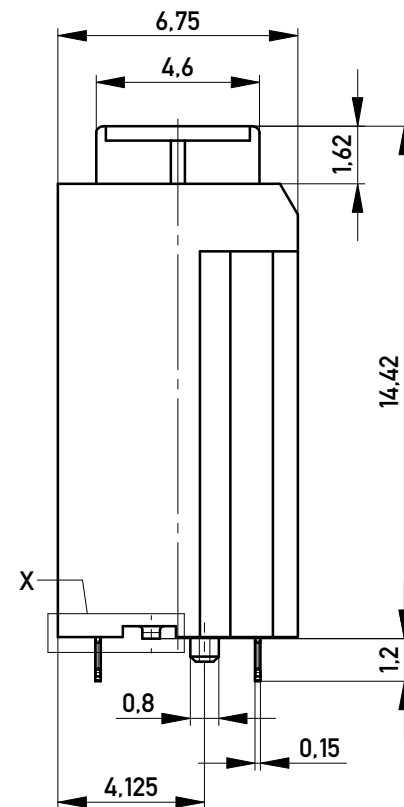


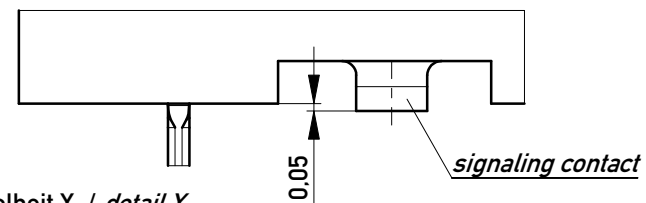
**Leiterplatten-Layout Vorschlag / PCB-layout proposal**



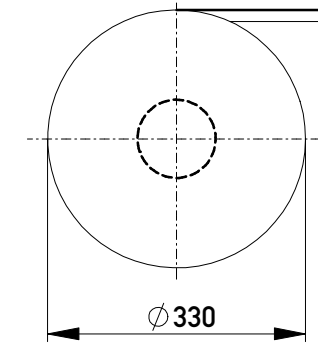
1) Durchmesser des Bohrers / drill tool



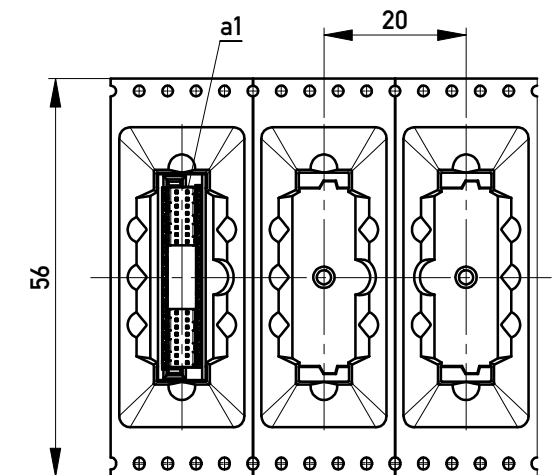
Einzelheit X / detail X  
M 20:1 / scale 20:1



Verpackt im Gurt in Anlehnung an DIN IEC 60286-3  
tape on reel packaging according to DIN IEC 60286-3  
Verpackungseinheit: 170 Stück  
packaging unit: 170 pcs



Abspulrichtung - Reel off Direction



Anforderungsstufe 1  
Performance Level 1

Kontaktbereich vergoldet  
Mating Area gold plating

Anschlussbereich verzinkt 4-6 µm  
Terminal Area 4-6 µm tin plating

Koplanarität der Anschlüsse ≤ 0.1 mm  
Coplanarity Area of Termination ≤ 0.1 mm

Information:	Tolerances	 All Dimensions in mm	Scale	5:1
	All rights reserved. Only for Information. To ensure that this is the latest version of this drawing, please contact one of the ERNI companies before using.		Designation <b>M09 MSPEED Blind Mate 50 THR</b>	
Copyright by ERNI GmbH Proprietary notice pursuant to ISO 16016 to be observed.	 www.ERNI.com		<b>354186</b>	
g	01.09.2017		Class	MSPEED
Index	Date			A3