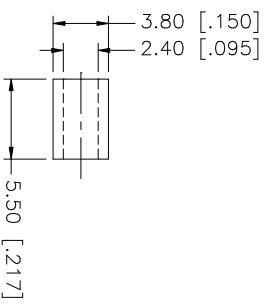
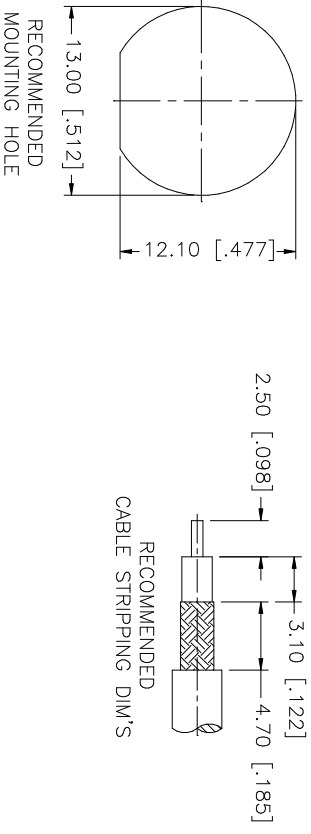
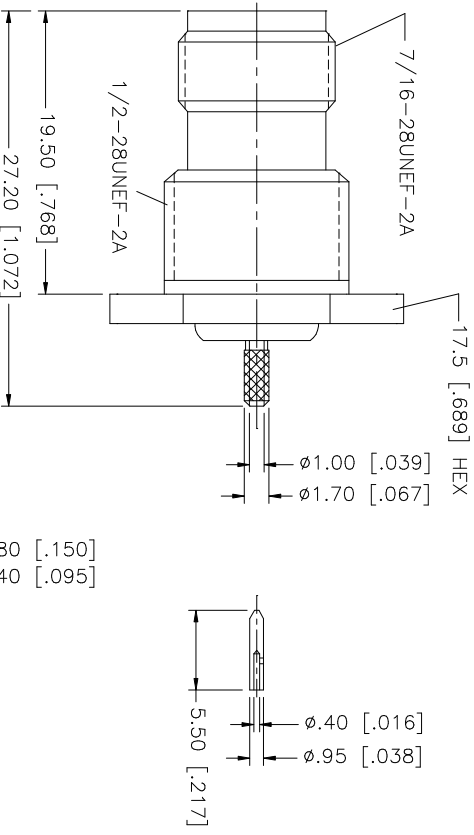
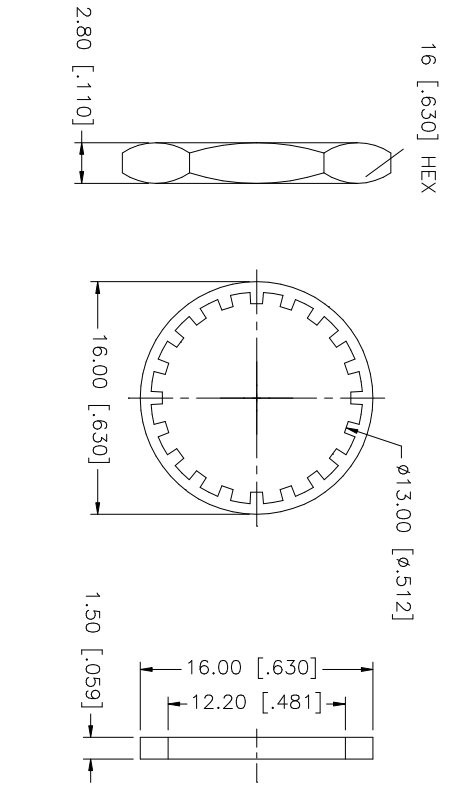


REV.	DATE	DESCRIPTION
A	06/29/04	UPDATE DRAWING FORMAT
B	03/27/05	ADD 17.5 HEX DIMNSION



- CRIMP NOTES:
1. CRIMPED FERRULE
HEX CRIMP SIZE .128"
 2. CRIMPED CONTACT PIN
SQ. CRIMP SIZE .7mm
 3. MAX. PANEL THICKNESS= 5.5mm

UNLESS OTHERWISE SPECIFIED DIMENSIONS ARE IN MILLIMETERS. DIMENSIONS IN [] ARE IN INCHES AND FOR CUSTOMER REFERENCE ONLY. TOLERANCES FOR MILLIMETERS ARE:	UNLESS OTHERWISE SPECIFIED DIMENSIONS ARE IN MILLIMETERS. DIMENSIONS IN [] ARE IN INCHES AND FOR CUSTOMER REFERENCE ONLY. TOLERANCES FOR MILLIMETERS ARE:	UNLESS OTHERWISE SPECIFIED DIMENSIONS ARE IN MILLIMETERS. DIMENSIONS IN [] ARE IN INCHES AND FOR CUSTOMER REFERENCE ONLY. TOLERANCES FOR MILLIMETERS ARE:	UNLESS OTHERWISE SPECIFIED DIMENSIONS ARE IN MILLIMETERS. DIMENSIONS IN [] ARE IN INCHES AND FOR CUSTOMER REFERENCE ONLY. TOLERANCES FOR MILLIMETERS ARE:	UNLESS OTHERWISE SPECIFIED DIMENSIONS ARE IN MILLIMETERS. DIMENSIONS IN [] ARE IN INCHES AND FOR CUSTOMER REFERENCE ONLY. TOLERANCES FOR MILLIMETERS ARE:	UNLESS OTHERWISE SPECIFIED DIMENSIONS ARE IN MILLIMETERS. DIMENSIONS IN [] ARE IN INCHES AND FOR CUSTOMER REFERENCE ONLY. TOLERANCES FOR MILLIMETERS ARE:	UNLESS OTHERWISE SPECIFIED DIMENSIONS ARE IN MILLIMETERS. DIMENSIONS IN [] ARE IN INCHES AND FOR CUSTOMER REFERENCE ONLY. TOLERANCES FOR MILLIMETERS ARE:	UNLESS OTHERWISE SPECIFIED DIMENSIONS ARE IN MILLIMETERS. DIMENSIONS IN [] ARE IN INCHES AND FOR CUSTOMER REFERENCE ONLY. TOLERANCES FOR MILLIMETERS ARE:
8	FERRULE	COPPER	NICKEL	1	0.5 - 8mm ± 0.20mm	APPROVALS	DATE
7	HEX NUT	BRASS	NICKEL	1	8 - 30mm ± 0.40mm	DRAWN	G.R.S.
6	LOCK WASHER	BRASS	NICKEL	1	30 - 120mm ± 0.50mm	CHECKED	03/27/05
5	GASKET	RUBBER	RED	1		ISSUED	
4	CONTACT PIN	BRASS	GOLD	1		SHEET	1 OF 1
3	INSULATOR	DELIRIN	NATURAL	1	.020 - .315 = ± 0.007"	PART NO.	
2	BODY	BRASS	NICKEL	1	.315 - 1.180 = ± 0.015"	PART NO.	122370
1				1	1.180 - 4.724 = ± 0.020"	DWG. NO.	122370.DWG
	DESCRIPTION	MATERIAL	FINISH	QTY	DO NOT SCALE DRAWING	CAD FILE	C:/122/122370.DWG
						REV.	B
						SIZE	A
						SCALE	NA

Amphenol Connex

TNC BULKHEAD CRIMP JACK
(FOR RG-178B/U, 196A/U CABLE)