

THIS DRAWING IS UNPUBLISHED.

RELEASED FOR PUBLICATION

© COPYRIGHT

ALL RIGHTS RESERVED.

LOC HB

DIST

REVISIONS

P	LTR	DESCRIPTION	DATE	DWN	APVD
B	1	REVISED PER ECO-11-005140	29MAR11	RK	HMR
C		TE LOGO CHANGE; ECO-18-008295	30-MAY-18	TOD	K.T

D

C

B

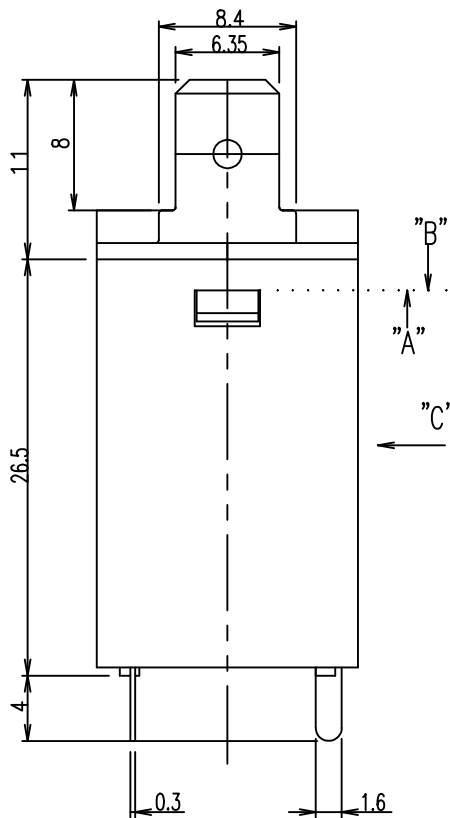
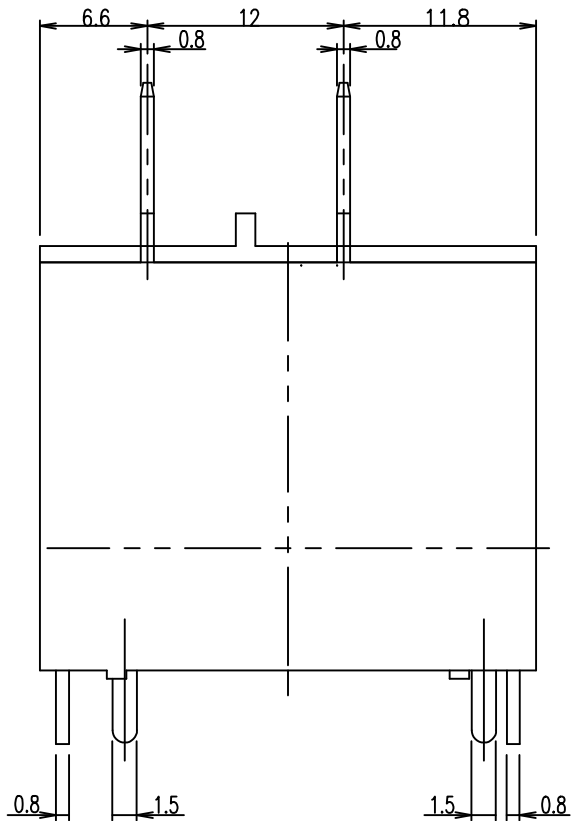
A

D

C

B

A



"B"
"A"
"C"

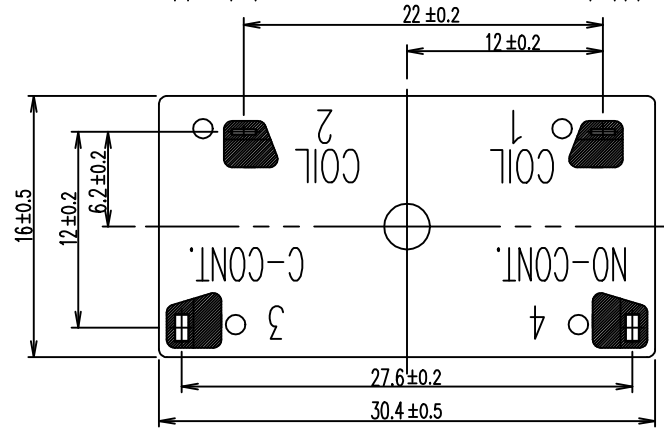
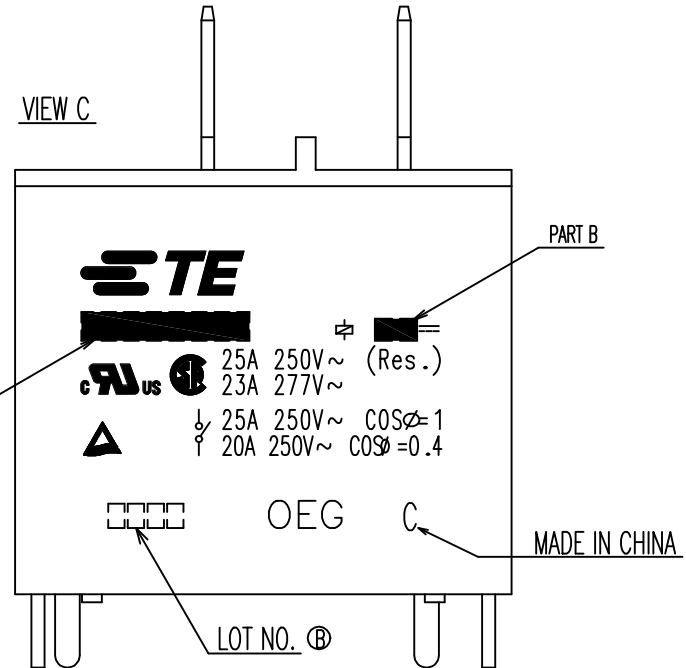


Diagram dimension	Tolerance
0.99mm max.	±0.1mm
1 - 2.99mm	±0.2mm
3mm min.	±0.3mm

Ⓢ NOTE:
LOT NO. SYSTEM AS FOLLOWING:

DIMENSIONS: mm	 TOLERANCES UNLESS OTHERWISE SPECIFIED: 0 PLC ± 1 PLC ± 2 PLC ± 3 PLC ± 4 PLC ± ANGLES ±	DWN	H.SASAKI	TE Connectivity	
		CHK	N.FUNAYAMA		
 MATERIAL SEE MATERIAL TABLE	FINISH	APVD	A.NAGAI	NAME	PCF-D2M CUSTOMER DRAWING
		PRODUCT SPEC	-	APPLICATION SPEC	-
		WEIGHT	-	SIZE	A3
		CUSTOMER DRAWING		CAGE CODE	00779
				DRAWING NO	5-1440002-4
				RESTRICTED TO	-
				SCALE	3:1
				SHEET	1 OF 2
				REV	C

THIS DRAWING IS UNPUBLISHED.

RELEASED FOR PUBLICATION
ALL RIGHTS RESERVED.

© COPYRIGHT

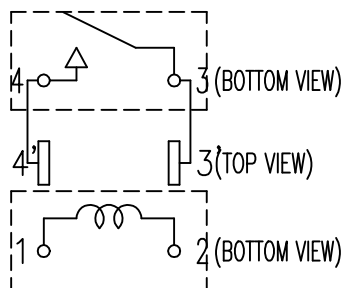
LOC
HB

DIST

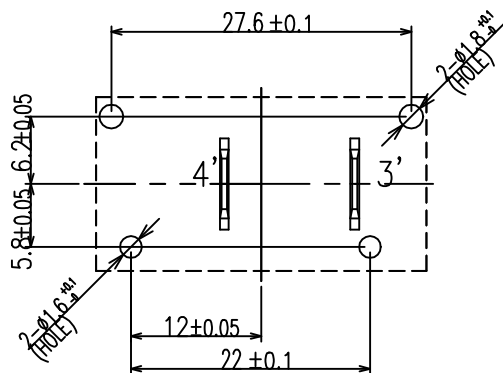
REVISIONS

P	LTR	DESCRIPTION	ECN	DATE	DWN	APVD

CONNECTION DIAGRAM



DRILLING DIAGRAM (BOTTOM VIEW)



5-1440002-9	PCF-148D2M,000	48V	PCF-148D2M	f
5-1440002-8	PCF-124D2M,000	24V	PCF-124D2M	e
3-1419153-4	PCF-112D2M,000	12V	PCF-112D2M	d
5-1440002-6	PCF-109D2M,000	9V	PCF-109D2M	c
5-1440002-5	PCF-106D2M,000	6V	PCF-106D2M	b
5-1440002-4	PCF-105D2M,000	5V	PCF-105D2M	a
PART NO	DESCRIPTION	PART B	PART A	ITEM

RELAY TYPE

		EPOXY RESIN	SEAL	17
		POLYURETHANE Cu WIRE	MAGNETIC WIRE	16
UL 94V-0		PPS	CARD	15
UL 94V-0		PBT	CASE	14
UL 94V-0		PBT	BASE	13
UL 94V-0		PBT	BOBBIN	12
	SOLDER DIP	Cu ALLOY	COIL TERMINAL R	11
	SOLDER DIP	Cu ALLOY	COIL TERMINAL L	10
		STAINLESS	HINGE SPRING	9
		Aq ALLOY	STATIONARY CONTACT	8
		Aq ALLOY	MOVABLE CONTACT	7
	SOLDER DIP	Cu ALLOY	MOVABLE SPRING	6
	SOLDER DIP	Cu ALLOY	STATIONARY TERMINAL	5
	SOLDER DIP	Cu ALLOY	MOVABLE TERMINAL	4
	Ni PLATED	STEEL	CORE	3
	Ni PLATED	STEEL	ARMATURE	2
	Ni PLATED	STEEL	YOKE	1
INCOMBUSTIBILITY	TREATMENT	MATERIAL	DESCRIPTION	ITEM

DIMENSIONS: mm		TOLERANCES UNLESS OTHERWISE SPECIFIED:		DWN	TE Connectivity			
		0 PLC ± 1 PLC ± 2 PLC ± 3 PLC ± 4 PLC ± ANGLES ±		CHK	NAME			
MATERIAL SEE MATERIAL TABLE		FINISH -		APVD	PCF-D2M CUSTOMER DRAWING			
				PRODUCT SPEC -	SIZE A3	CAGE CODE 00779	DRAWING NO C- 5-1440002-4	RESTRICTED TO -
				APPLICATION SPEC -	CUSTOMER DRAWING		SCALE 3:1	SHEET 2 OF 2
				WEIGHT -	REV C			