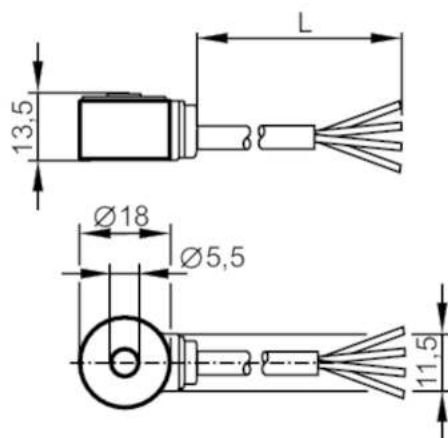


VSA004



Acceleration sensor

VIBRATION SENSOR



Product characteristics

Measuring range of vibration [g]	-25...25
Frequency range [Hz]	1...10000
Measuring principle	capacitive

Application

Special feature	Screened cable; Drag chain suitability
Design	for connection to external diagnostic electronics VSE
Application	vibration detection

Electrical data

Operating voltage [V]	7.2...10.8 DC
Current consumption [mA]	< 15
Min. insulation resistance [MΩ]	100; (500 V DC)
Protection class	III
Reverse polarity protection	yes
Sensor type	microelectromechanical system (MEMS)

Outputs

Analogue current output [mA]	0...10
Max. load [Ω]	300

Measuring/setting range

Measuring range of vibration [g]	-25...25
Frequency range [Hz]	1...10000
Measuring principle	capacitive
Sensitivity [μA/g]	142
Number of measurement axes	1

Accuracy / deviations

Linearity deviation	0,2 %
---------------------	-------

VSA004



Acceleration sensor

VIBRATION SENSOR

Operating conditions	
Ambient temperature [°C]	-20...80
Note on ambient temperature	cULus: < 80 °C
Storage temperature [°C]	-20...80
Max. relative air humidity [%]	80; (40 °C: 50 % non condensing)
Protection	IP 67
Tests / approvals	
EMC	EN 61000-6-2
	EN 61000-6-3
Shock resistance	DIN EN 60068-2-27 50 g 11 ms
Vibration resistance	DIN EN 60068-2-6 20 g / 10 ... 2000 Hz
MTTF [years]	2660
Mechanical data	
Weight [g]	120.5
Type of mounting	mounting screw
Materials	housing: stainless steel (1.4404 / 316L)
Tightening torque [Nm]	5
Mechanische Überlastfestigkeit [g]	500
Drag chain suitability	yes
Drag chain suitability	bending radius for fixed installation : min. 4 x cable diameter
	bending radius for flexible use : min. 15 x cable diameter
Accessories	
Items supplied	head cap screw: 1 x M5 x 20, Torx 15
Remarks	
Pack quantity	1 pcs.
Electrical connection	
Cable: 3 m, PUR, Ø 4 mm, shielded; Maximum cable length: 250 m; drain wire connected to the housing; 4 x 0.14 mm ²	
blue	GND
black	test
brown	L+
white	Out
Screen	drain wire