

# C-IDK1110WP

## 10.1" WXGA Intelligent Display kits

NEW



### Features

- 10.1" LCD support 1280X800 resolutions.
- Brightness of 300 nits with LED backlight.
- P-Cap Touch solution supports up to 4 fingers.
- High contrast ration of 1300:1
- Wide Viewing Angle: 85/85/85/85
- High uniformity of 80%
- LVDS signal interface.
- Low power consumption 3.4w (panel only)
- Built in LED driver board.
- USB Touch Controller

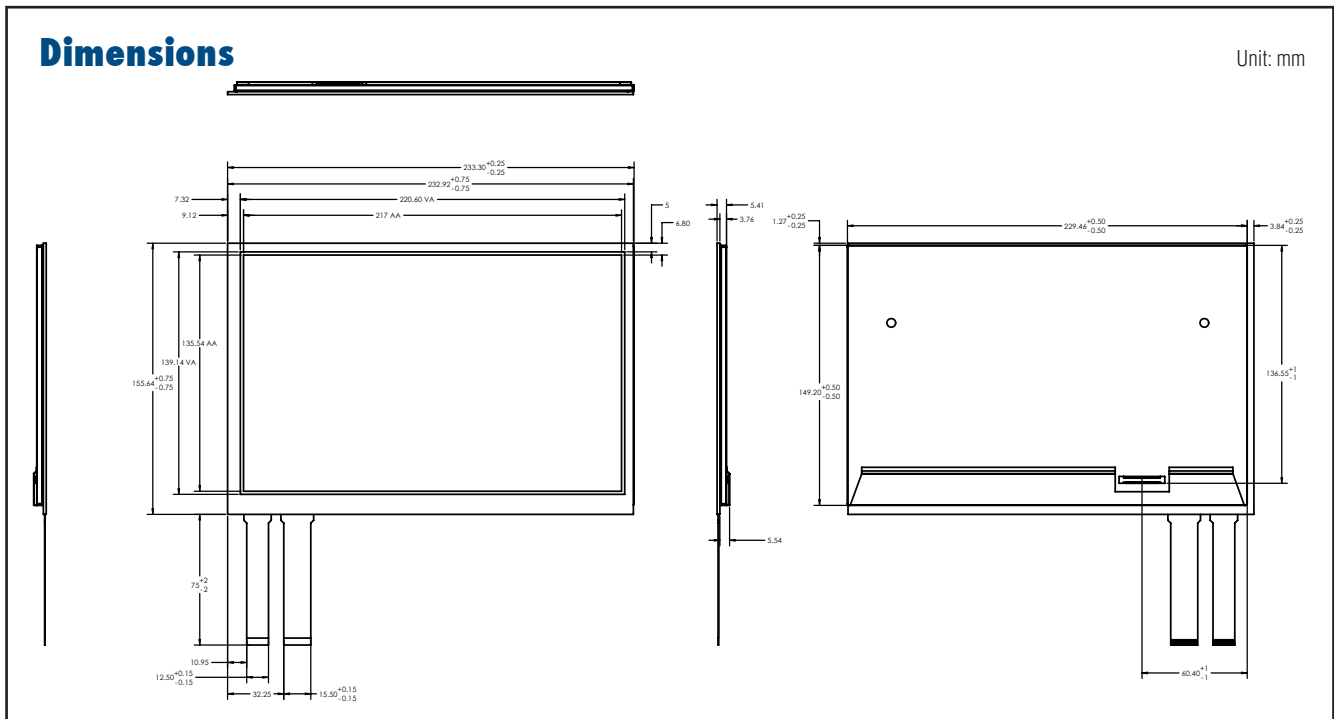
### Introduction

The Advantech C-IDK1110WP series come with a 10.1" industrial grade LCD panel with Projected Capacitive Touch Sensor (P-Cap). The C-IDK1110WP series support 4-fingers touch with low power consumption at the maximum of 3.4w. The C-IDK1110WP series is ideal for embedded applications that give customers maximum flexibility for mechanical design.

### Specifications

LCD Panel	Display Size	10.1" LED backlight Panel (WXGA)
	Resolution	1280 x 800
	Viewing Angle	85°/85°(H), 85° /85°(V)
	Brightness	300 (cd/m <sup>2</sup> )
	Backlight Life (hrs)	25,000 (Hrs)
	Contrast Ratio	1300:1
	Response Time	25 ms
	Colors Support	6 Bit (262K)
	Voltage	3.3v Power
	Consumption	3.4W (Typical)
	Signal Interface	1 channel LVDS
	Weight	187 g
	Dimensions (W x H x D)	229.5 x 149.2 x 5.0 mm
Touch Screen	Touch Screen	Projected Capacitive Touch Sensor
	Transparency	90 %
	Surface Hardness	≥ 9H
Environment	Operating Temperature	LCD: (-20 – 60) Touch Screen: (-30 – 70) Controller Board: (-40 – 85)
	Storage Temperature	LCD: (-30 – 80) Touch Screen: (-40 – 70) Controller Board: (-40 – 90)

# 10.1" WXGA Intelligent Display kits



## Packing List

Part Number	Description
1700020324-01	1x USB Touch cable
96TSC-2KX2K-RUD03	Touch Controller

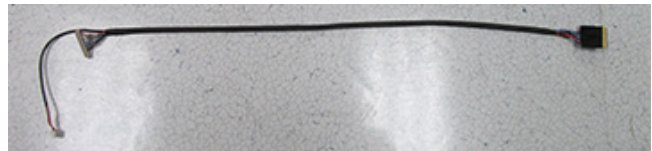
Note: Package contents are subject to change without prior notice

## Ordering Information

Model Name	Description
C-IDK1110WP30WX-01	10.1" 1280X800 P-Cap Touch LCD

## Optional Order for C-IDK1110WP30WX-01

SBC Part No:	LVDS + LED Backlight Cable
MIO-5290	96CB-L4045PBB4 (Y-cable)
AIMB-274	96CB-L4045PBB4 (Y-cable)
PCM-9389	96CB-L4025PBB2 (Y-cable)



## Product Contact Information:

### Advantech Corp

13 Whatney

Irvine, CA. 92618

Toll free: 800-866-6008 Tel: 959-420-2500

[www.Advantech.com](http://www.Advantech.com)

Email: [ecginfo@advantech.com](mailto:ecginfo@advantech.com)

Product packing dimension: 345L x 330W x 65H (mm), 0.5 (kg)