



SPECIFICATION FOR PIEZO Speaker

TOTAL PAGE 07

www.bestargroups.com

RoHS

Preliminary Specification For The Acoustic Characteristics of Piezo Speaker

Customer		Model Name	BPS1319H1.3
Customer P/N		Product No.	250151
Date	07 Jun. 16	Issue No.	BS/TEPS01.009A
Page	01 of 07	Issue Date	2016/06/07

Approval:

1. Technical Terms
2. Drawing
3. Reliability Test
4. Packing
5. History Change Record

Drawn by	Checked by	Approved by	Customer approved
魏春欢	赵 峰	徐金国	

BESTAR HOLDING CO.,LTD

No.199 HuangHe West Road,New district,ChangZhou,JiangSu Province,P.R.China

Tel: +86 519 88222567

Fax: +86 519 88222551

E-mail:wu@be-star.com

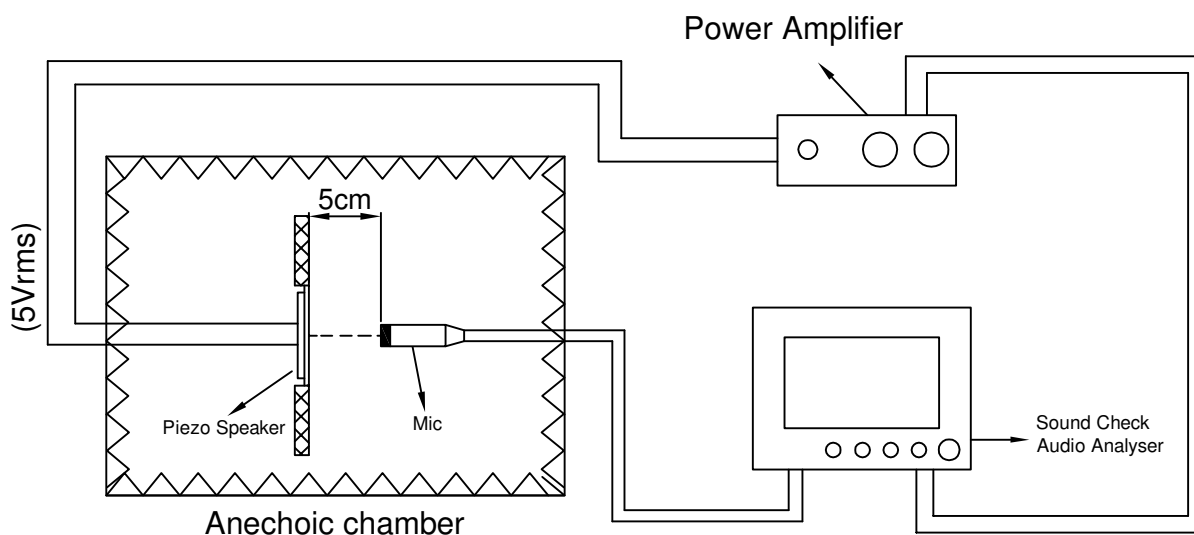
<http://www.bestargroups.com>

BPS1319H1.3

1. Technical Terms

No.	Item	Specifications
1.	Size	13x19X1.3mm
2.	Resonance frequency	15 00±300Hz
3.	Rated input voltage	7Vrms
4.	Maximum input voltage	9Vrms
5.	S.P.L(5Vrms 5cm)	88±3 dB(Avg1.2, 1.5, 1.8, 2.0, 3, 3.5, 4 KHz)
6.	Operating temperature	- 20...+70°C
7.	Storage temperature	-30...+85°C
8.	Weight	0.7g ±15%

1.2 Test Method

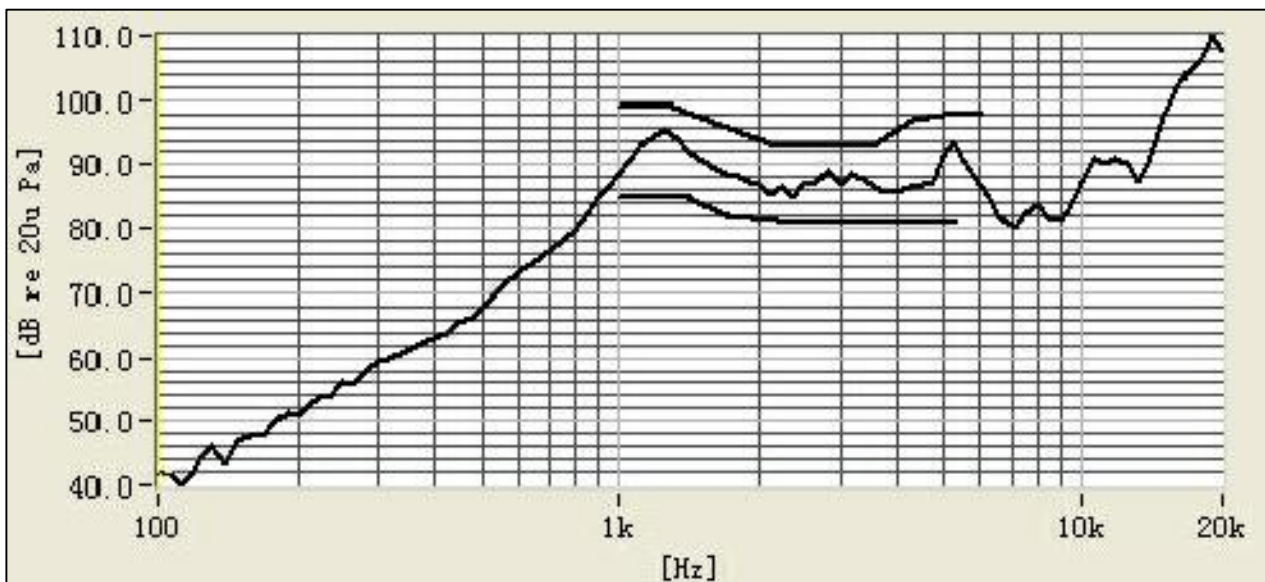


This print and information there in are proprietary to BeStar Holding Co., Ltd. and shall not be used in whole or in part without its written content

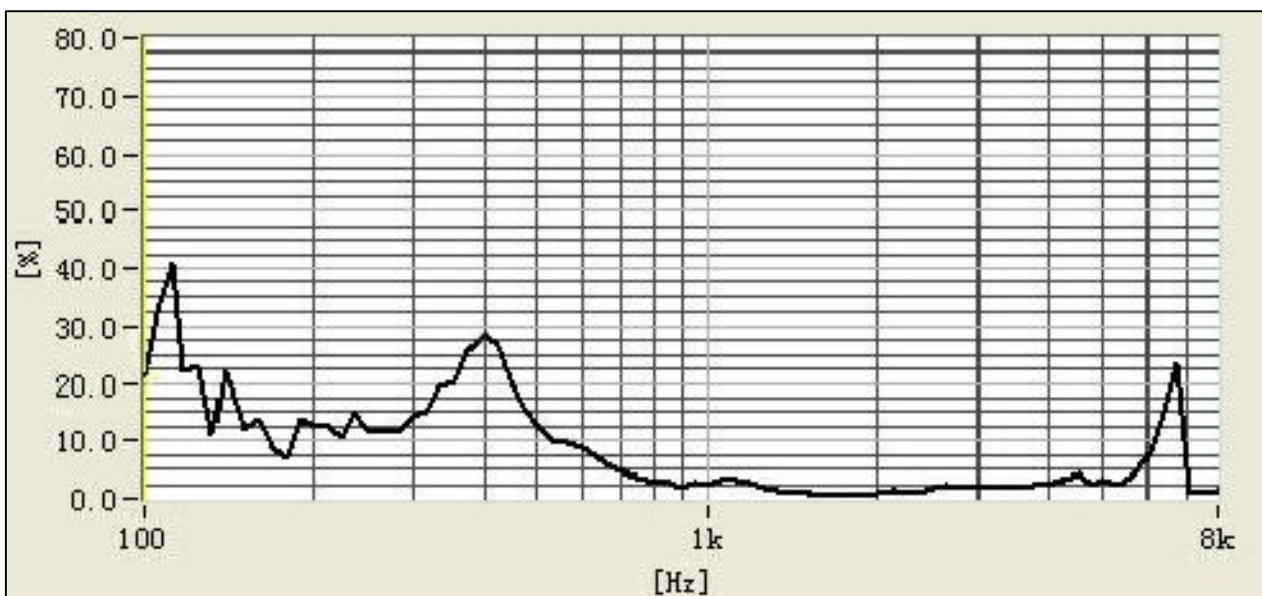
				Date:	2016/06/07	BPS1319H1.3
				Drawn by:	魏春欢	
				Checked by:	赵 崢	
Rev.	Date	Drawn	Note	Approved by:	徐金国	Pizeo Speaker
BESTAR HOLDING CO.,LTD						DRG NO:BS/TEPS01.009B
www.bestargroups.com wu@be-star.com						Page:02 of 07

BPS1319H1.3

1.3 Frequency Response Curve (only for reference)



1.4 Total Harmonic Distortion Curve (only for reference)



This print and information there in are proprietary to BeStar Holding Co., Ltd. and shall not be used in whole or in part without its written consent.

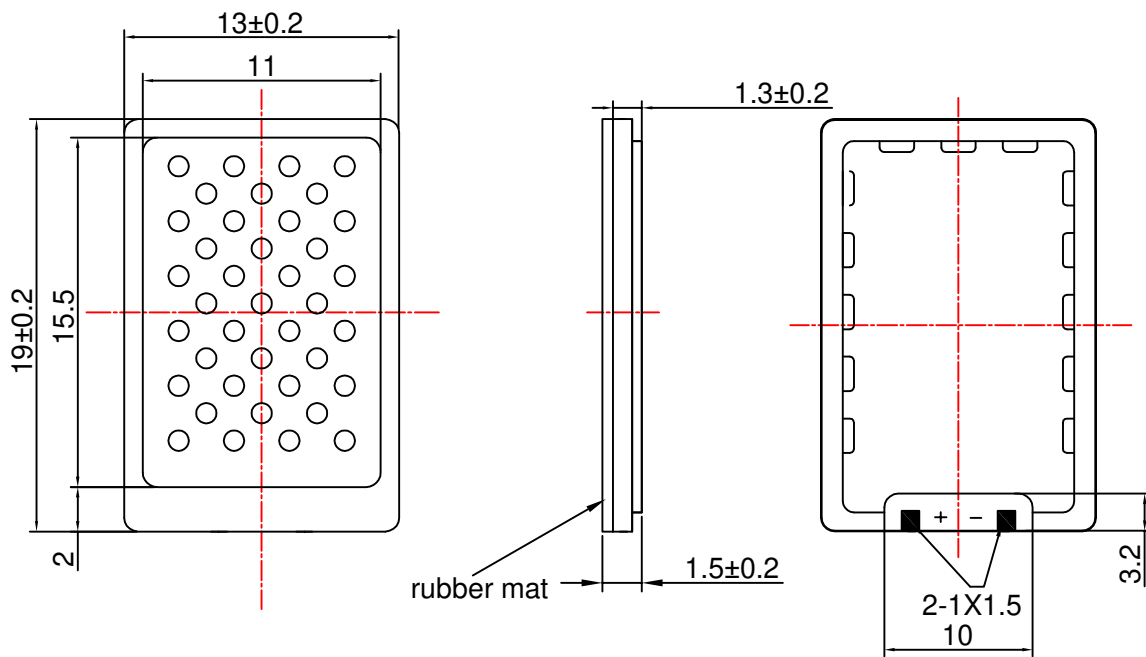
				Date:	2016/06/07	BPS1319H1.3
				Drawn by:	魏春欢	
				Checked by:	赵 峥	Piezo Speaker
Rev.	Date	Drawn	Note	Approved by:	徐金国	
BESTAR HOLDING CO.,LTD						DRG NO:BS/TEPS01.009B
www.bestargroups.com wu@be-star.com						Page:03 of 07

BPS1319H1.3

1.5 Impedance Response Curve (only for reference)



2.Drawing



This print and information there in are proprietary to BeStar Holding Co., Ltd. and shall not be used in whole or in part without its written content.

				Date:	2016/06/07	BPS1319H1.3
				Drawn by:	魏春欢	
				Checked by:	赵 峥	
Rev.	Date	Drawn	Note	Approved by:	徐金国	Pizeo Speaker
BESTAR HOLDING CO.,LTD						
www.bestargroups.com wu@be-star.com						
						DRG NO:BS/TEPS01.009B
						Page:04 of 07

BPS1319H1.3

3. Reliability Test

3.1 Load test

Input Signal

6.5V sine wave 1KHz

Duration

240hours

3.2 Heat test

Temperature

+70±3°C

Duration

240hrs

3.3 Cold test

Temperature

-20±3°C

Duration

240hrs

3.4 Temperature change(shock)

Low Temperature

-20± 3°C

High Temperature

+60± 3°C

Dwell time each temperature

30min

Transfer time from lower to upper temperature

<10s

Cycles

10

3.5 Moisture Test

Tempeature

+40± 2°C

Humidity

92± 2%(RH)

Duration

240hrs

3.6 Drop test

Surface(floor)

concrete or steel

Height

75cm

Direction

X,Y&Z 3axes

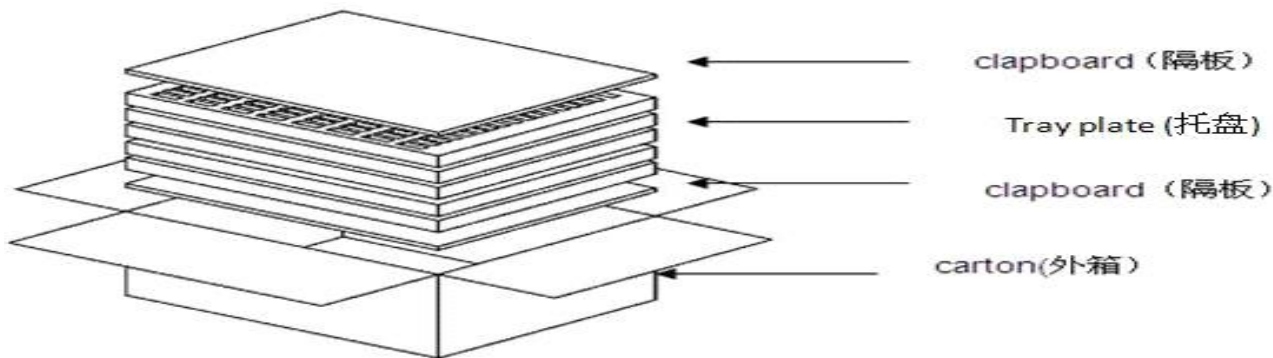
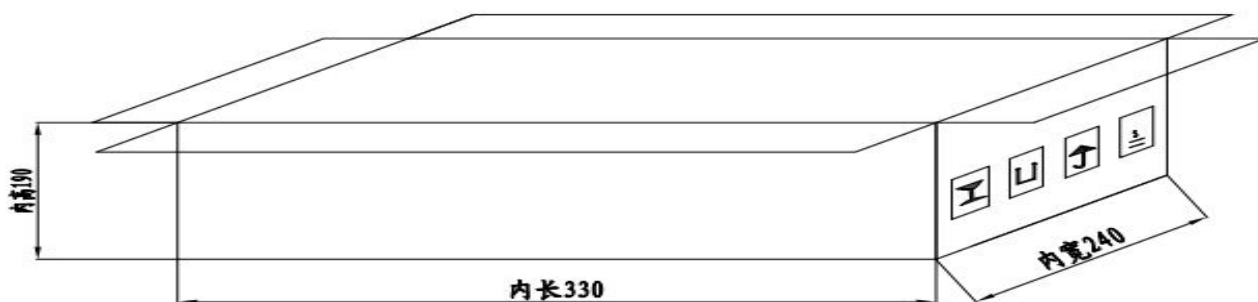
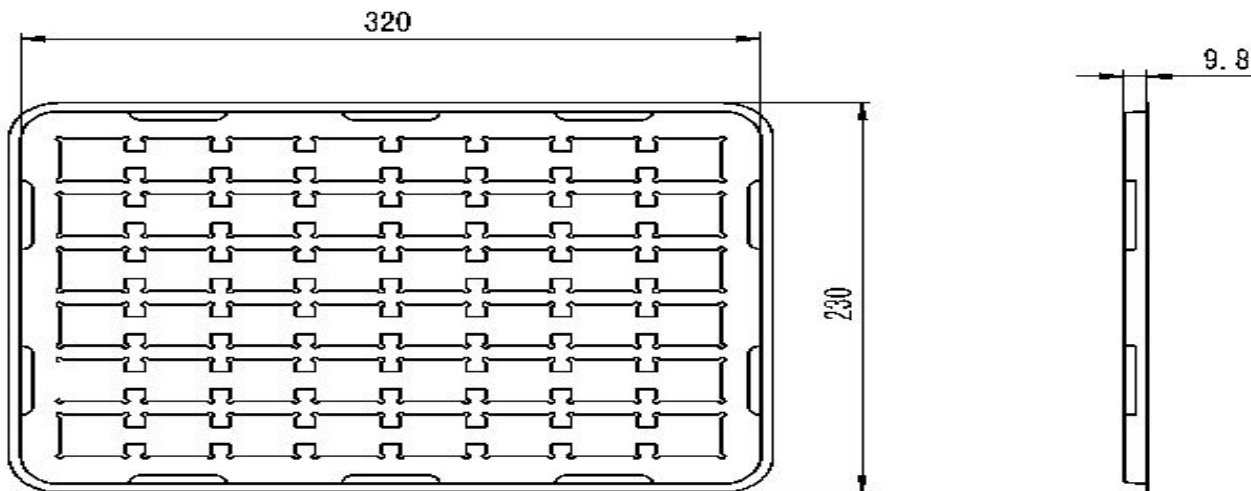
After the test,all electronic and acoustic characteristic should be satisfied with the specification. SPL: Deviation is of ±3dB of initial value.

frequency :Deviation is of ±20%Hz of initial value.

				Date:	2016/06/07	BPS1319H1.3	
				Drawn by:	魏春欢		
				Checked by:	赵 崢	Pizeo Speaker	
Rev.	Date	Drawn	Note	Approved by:	徐金国		
BESTAR HOLDING CO.,LTD						DRG NO:BS/TEPS01.009B	Page:05 of 07

BPS1319H1.3

4. Packing



45pcs Tray Plate per carton,
 2pcs cardboard per carton,
 2160pcs per carton,
 Net Weight:4.5KG
 Gross Weight:5KG

This print and information there in are proprietary to BeStar Holding Co., Ltd. and shall not be used in whole or in part without its written content.

				Date:	2016/06/07	BPS1319H1.3
				Drawn by:	魏春欢	
				Checked by:	赵 峥	Pizeo Speaker
Rev.	Date	Drawn	Note	Approved by:	徐金国	
BESTAR HOLDING CO.,LTD						DRG NO:BS/TEPS01.009B
www.bestargroups.com wu@be-star.com						Page:06 of 07

BPS1319H1.3

5. History change record

version No.	Change Items		Date	Drawn	Approved
	Before	After			
A			12/1/7	王 平	李红元
B	no rubber mat and SPL 95±3dB	add rubber mat and SPL 88±3dB	2016/06/07	魏春欢	徐金国

This print and information there in are proprietary to BeStar Holding Co., Ltd. and shall not be used in whole or in part without its written content.

				Date:	2016/06/07	BPS1319H1.3	
				Drawn by:	魏春欢		
				Checked by:	赵 峥	Pizeo Speaker	
Rev.	Date	Drawn	Note	Approved by:	徐金国		
BESTAR HOLDING CO.,LTD						DRG NO:BS/TEPS01.009B	Page:07 of 07
www.bestargroups.com wu@be-star.com							