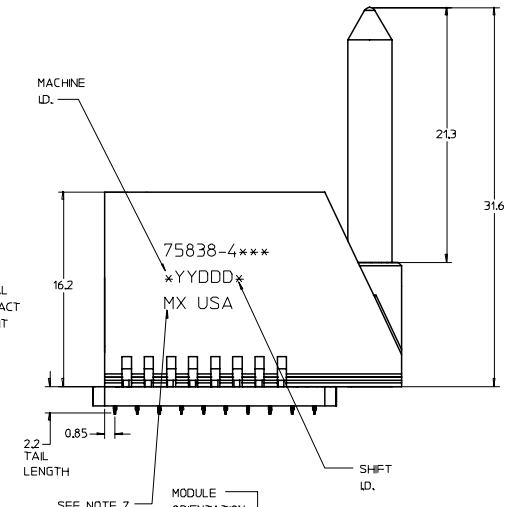
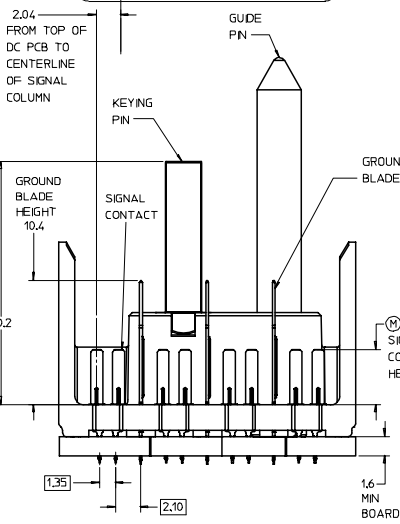
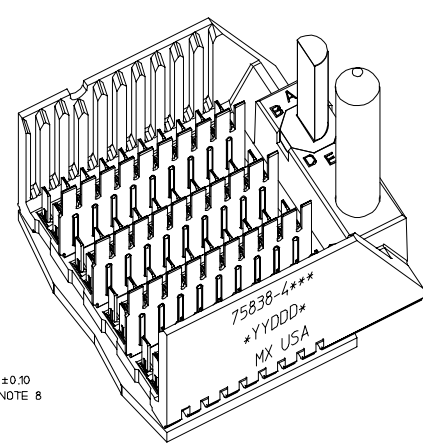
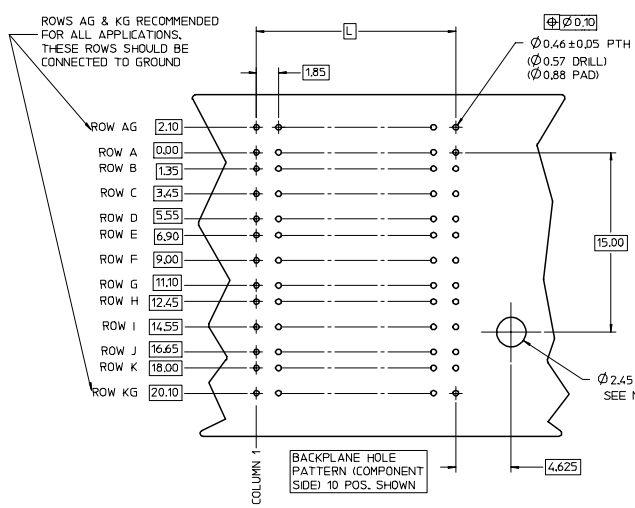
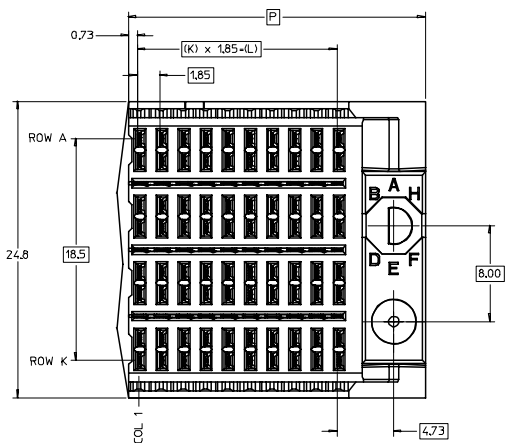
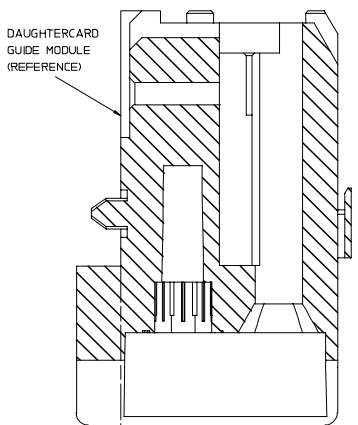
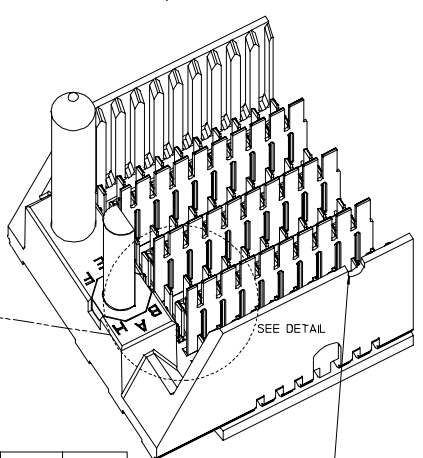
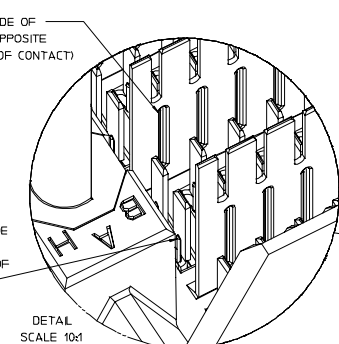


20 19 18 17 16 15 14 13 12 11 75838 9 8 7 6 5 4 3 2 1



LEAD-FREE PLATING ON SIGNALS & GROUNDS.



- NOTES:
- MATERIAL: HOUSING - LIQUID CRYSTAL POLYMER (LCP) GLASS-FILLED. UL 94V-0, COLOR - GRAY. SIGNAL CONTACT AND GROUND BLADE - HIGH PERFORMANCE COPPER ALLOY.
 - FINISHES: SELECTIVE GOLD (Au) ON CONTACT AREA. SELECTIVE MATTE TIN (Sn) ON PCB TAILS. NICKEL (Ni) OVERALL.
 - THIS PART CONFORMS TO MOLEX PRODUCT SPECIFICATION PS-75221-999.
 - FOR MIXED CONTACT MATING LENGTHS CONSULT MOLEX FOR AVAILABILITY. CONTACT PAIRS MUST BE THE SAME LENGTH.
 - FOR SPECIFIC PART NUMBER AND MATING INFORMATION PLEASE REFER TO CHART.
 - PACKAGE PER PK-70873-563.
 - MARK PART NUMBER AND DATE CODE APPROXIMATELY WHERE SHOWN.
 - OPTIONAL HOLE LOCATION FOR GROUNDED GUIDE PIN OR ADDITIONAL PIN SUPPORT. FOR GROUNDED GUIDE PIN, HOLE TO BE PLATED, DRILL SIZE Ø258, PAD SIZE Ø5.50
 - THESE PARTS CONFORM TO MOLEX COSMETIC SPECIFICATION PS-45499-002 CLASS B.

MODULE ORIENTATION RIGHT = 4

KEYING ORIENTATION
0-NONE
1=A
2=B
ETC...

COLUMN
1=10 COL
2=25 COL

PIN LENGTH DIM "M"
3=3.55 mm
4=4.55 mm
5=5.55 mm

75838-4 * * *

PART NUMBER TABLE				
ASSY PART NO.	K	L	P	TOTAL NO. OF DIFFERENTIAL PAIRS
75838-41**	9	16.65	24.78	40
75838-42**	24	44.40	52.53	100

P/N	0	A	B	C	D	E	F	G	H
75838-I J	0	A	B	C	D	E	F	G	H
KEYING PIN ORIENTATION									

NOTCH DESIGNATES POSITION AT A1 ARCH AND NOTCH ON OPPOSITE SIDE OF PART MARKING.

REVISED EC NO: UCP 2007-2809 DRAWN: JBINGHAM 2007/05/07 CHKD: CHKD: 2007/05/07 APPR: SREED 2007/05/08	QUALITY SYMBOLS	GENERAL TOLERANCES (UNLESS SPECIFIED)	SCALE 5:1	DESIGN UNITS METRIC	THIRD ANGLE PROJECTION	REVISE ON CAD ONLY	
	4 PLACES ±0.05 3 PLACES ±0.10 2 PLACES ±0.15 1 PLACE ±0.20	MM INCH ±0.10 ±0.005 ±0.15 ±0.005 ±0.20 ±0.005	DIMENSION STYLE MM ONLY	DRAWN BY DATE CTHOMAS 2006/01/03	CHECKED BY DATE KKMULVEY 2006/01/04	TITLE GBX 4-PAIR RIGHT END BACKPLANE ASSEMBLY LEAD-FREE SALES DRAWING	
	DRAFT WHERE APPLICABLE MUST REMAIN WITHIN DIMENSIONS	APPROVED BY DATE JBINGHAM 2006/01/05	MATERIAL NO. DOCUMENT NO. SHEET NO. SEE CHART SD-75838-410 1 OF 1	MOLEX INCORPORATED THIS DRAWING CONTAINS INFORMATION THAT IS PROPRIETARY TO MOLEX INCORPORATED AND SHOULD NOT BE USED WITHOUT WRITTEN PERMISSION			

19 18 17 16 15 14 13 12 11 10 9 8 7 6 5 4 3 2 1