

| | | |
|--|--|--|
| GloTek, Inc. www.globtek.com 186 Veterans Drive, Northvale, NJ 07647 Tel. (201) 784-1000 Fax (201) 784-0111 | Drawing Title: India IS:1293 to IEC320-C7:, GT Cable #YY2x75: 0.75 / 2 Conductors, Flatmm OD, YY (India), 70 Deg.C, 450 minV, BLK/RED, Approvals: ISI (India), 1800mm, GlobTek Black | |
| | Model No. Power Cord | Part No./Ordering No. 2714111M8703A(R) |
| | | Rev A2 |

CUSTOMIZED LENGTHS, COLORS, CABLE TYPES, TERMINATIONS/PLUGS/RECEPTACLES AVAILABLE UPON REQUEST. ADDITIONAL PLUG OPTIONS ARE AVAILABLE AT <https://www.globtek.com/connectors/> STANDARD PLUGS AND CONNECTORS CAN BE SEEN ONLINE AT <https://www.globtek.com/connectors/> ACTUAL CONNECTORS, OVERMOLDS, FERRITES MAY VARY SLIGHTLY FROM THE PICTURE BELOW DIMENSIONS ARE IN MM UNLESS SPECIFIED OTHERWISE

In Addition to GlobTek Inc.'s renewed ISO9001:2008 - Quality Management System Certification, GlobTek Inc. is now certified to:

- ISO13485:2003 - Medical Devices Quality Management System Certification
- ISO14001:2004 - Environmental Management System Certification

ISO Certificates are available online at <https://www.globtek.com/iso-certificates/>
Prop 65 Statement: <https://en.globtek.com/prop-65-statement.pdf>

The acceptance of this specification and use of the product described in this document indicates the acceptance and binding of the customer to Globtek TERMS AND CONDITIONS (attached to the end of this document), which supersede all other agreements, terms, and conditions (<https://en.globtek.com/terms-and-conditions/>).

The purchaser of this product (Customer) agrees that it is their sole responsibility to determine suitability/fitness of the product described in this specification for their application and to take precautions for protection against any hazards attendant to the handling and use of the product.

Footnote:

GlobTek Inc. will not be liable for the safety and performance of these power supplies if unauthorized access and repair occurs. End user should consult applicable UL, CSA or EN standards for proper installation instruction.

Limitation of Use:

GlobTek products are intended for use with commercial, medical, and/or industrial equipment only. GlobTek product are not authorized for use as mission critical components in life support hazardous environment, nuclear or aircraft applications without prior written approval from the CEO of GlobTek Inc.
Contents of this document are subject to change without prior notice.

Customer Approval of Specification:

Please approve, sign and send back to GlobTek so we can complete order processing.
A delay in receipt of this form will delay delivery schedule.

| | |
|---------------------------------------|--|
| Company Name: _____ | Customer P/N: _____ |
| Quote Number: _____ | Date: _____ |
| Authorized Representative Name: _____ | Authorized Representative Signature: _____ |

| | | |
|---|--|--|
| GlobTek, Inc. www.globtek.com 186 Veterans Drive, Northvale, NJ 07647 Tel. (201) 784-1000 Fax (201) 784-0111 | Drawing Title: India IS:1293 to IEC320-C7;, GT Cable #YY2x75: 0.75 / 2 Conductors, Flatmm OD, YY (India), 70 Deg.C, 450 minV, BLK/RED, Approvals: ISI (India), 1800mm, GlobTek Black | |
| | Model No. Power Cord | Part No./Ordering No. 2714111M8703A(R) |
| | | Rev A2 |

CUSTOMIZED LENGTHS, COLORS, CABLE TYPES, TERMINATIONS/PLUGS/RECEPTACLES AVAILABLE UPON REQUEST. ADDITIONAL PLUG OPTIONS ARE AVAILABLE AT <https://www.globtek.com/connectors/> STANDARD PLUGS AND CONNECTORS CAN BE SEEN ONLINE AT <https://www.globtek.com/connectors/> ACTUAL CONNECTORS, OVERMOLDS, FERRITES MAY VARY SLIGHTLY FROM THE PICTURE BELOW DIMENSIONS ARE IN MM UNLESS SPECIFIED OTHERWISE

REVISION HISTORY

| REV | DESCRIPTION | SUB | DATE | APPROVED |
|-----|--|-------|------------|----------|
| A2 | Update cable rating from 250V to "450V minimum". Overall rating remains 250V~. | bsiep | 08/23/2023 | QA |
| A1 | Corrected conductor colors from BLU/BRN to BLK/RED. | bsiep | 07/07/2022 | QA |
| A | Initial Release | bsiep | 08/09/2019 | QA |

Cordset Information:

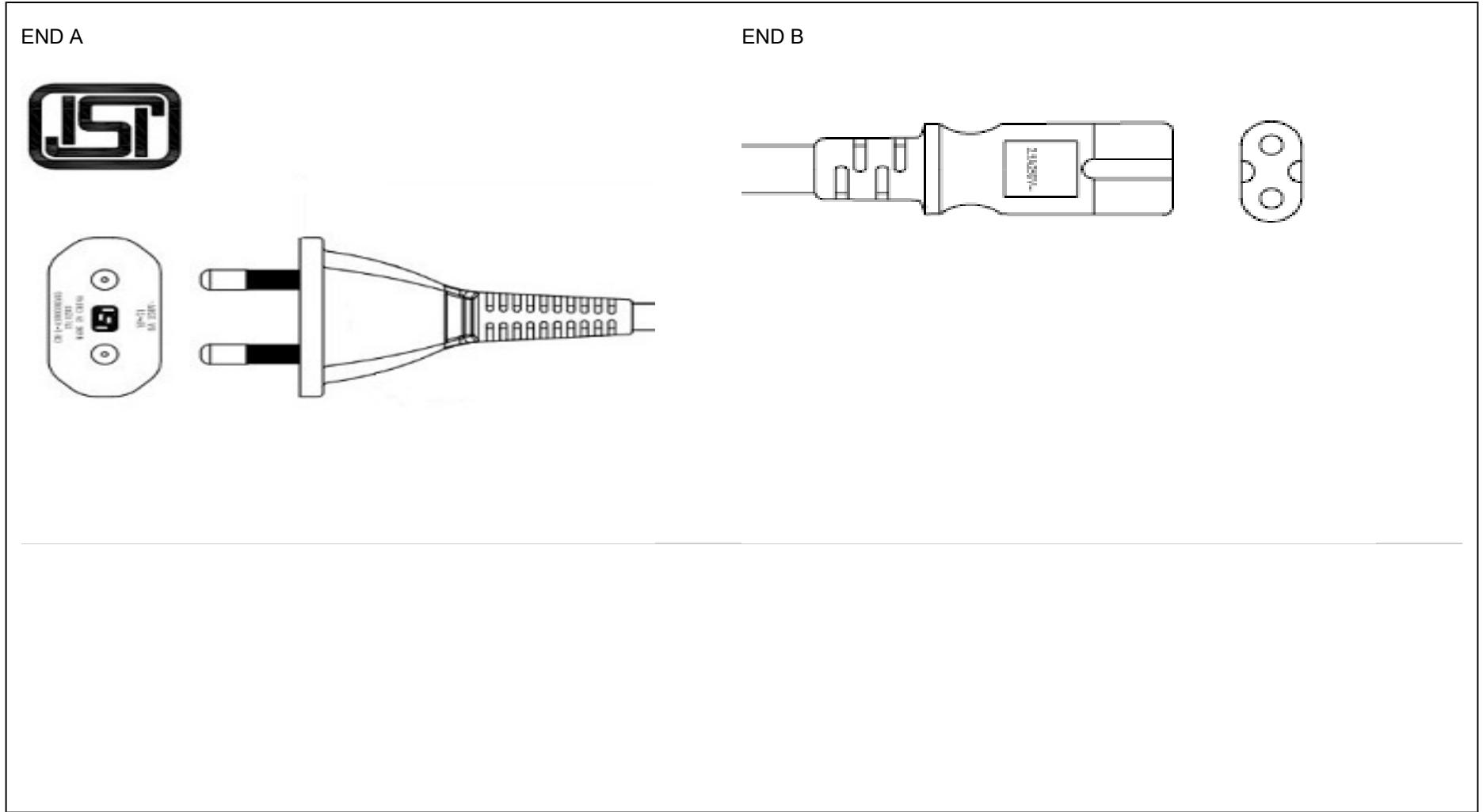
CordsetColor:GlobTek Black

Cord Length (mm):1800

NOTES:

| | | |
|---|--|--------|
| GlobTek, Inc. www.globtek.com 186 Veterans Drive, Northvale, NJ 07647 Tel. (201) 784-1000 Fax (201) 784-0111 | Drawing Title: India IS:1293 to IEC320-C7;, GT Cable #YY2x75: 0.75 / 2 Conductors, Flatmm OD, YY (India), 70 Deg.C, 450 minV, BLK/RED, Approvals: ISI (India), 1800mm, GlobTek Black | |
| | Model No. Power Cord | Rev A2 |
| Part No./Ordering No. 2714111M8703A(R) | | |

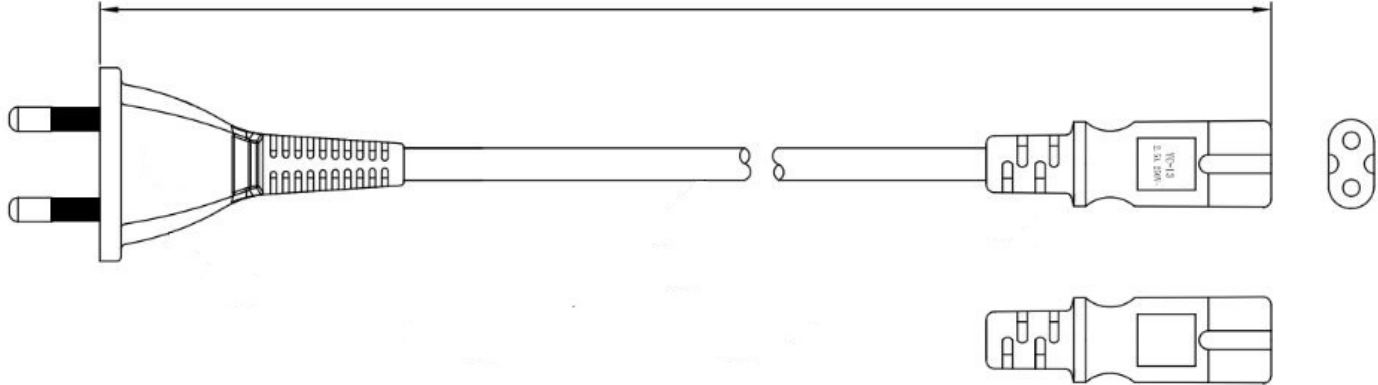
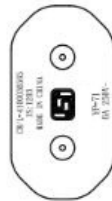
CUSTOMIZED LENGTHS, COLORS, CABLE TYPES, TERMINATIONS/PLUGS/RECEPTACLES AVAILABLE UPON REQUEST. ADDITIONAL PLUG OPTIONS ARE AVAILABLE AT <https://www.globtek.com/connectors/> STANDARD PLUGS AND CONNECTORS CAN BE SEEN ONLINE AT <https://www.globtek.com/connectors/> ACTUAL CONNECTORS, OVERMOLDS, FERRITES MAY VARY SLIGHTLY FROM THE PICTURE BELOW DIMENSIONS ARE IN MM UNLESS SPECIFIED OTHERWISE



| | | |
|---|--|--------|
| GlobTek, Inc. www.globtek.com 186 Veterans Drive, Northvale, NJ 07647 Tel. (201) 784-1000 Fax (201) 784-0111 | Drawing Title: India IS:1293 to IEC320-C7., GT Cable #YY2x75: 0.75 / 2 Conductors, Flatmm OD, YY (India), 70 Deg.C, 450 minV, BLK/RED, Approvals: ISI (India), 1800mm, GlobTek Black | |
| | Model No. Power Cord | Rev A2 |
| Part No./Ordering No. 2714111M8703A(R) | | |

CUSTOMIZED LENGTHS, COLORS, CABLE TYPES, TERMINATIONS/PLUGS/RECEPTACLES AVAILABLE UPON REQUEST. ADDITIONAL PLUG OPTIONS ARE AVAILABLE AT <https://www.globtek.com/connectors/> STANDARD PLUGS AND CONNECTORS CAN BE SEEN ONLINE AT <https://www.globtek.com/connectors/> ACTUAL CONNECTORS, OVERMOLDS, FERRITES MAY VARY SLIGHTLY FROM THE PICTURE BELOW DIMENSIONS ARE IN MM UNLESS SPECIFIED OTHERWISE

CABLE IMAGE



| | | |
|---|--|--|
| GlobTek, Inc. www.globtek.com 186 Veterans Drive, Northvale, NJ 07647 Tel. (201) 784-1000 Fax (201) 784-0111 | Drawing Title: India IS:1293 to IEC320-C7;, GT Cable #YY2x75: 0.75 / 2 Conductors, Flatmm OD, YY (India), 70 Deg.C, 450 minV, BLK/RED, Approvals: ISI (India), 1800mm, GlobTek Black | |
| | Model No. Power Cord | Part No./Ordering No. 2714111M8703A(R) |
| | | Rev A2 |

CUSTOMIZED LENGTHS, COLORS, CABLE TYPES, TERMINATIONS/PLUGS/RECEPTACLES AVAILABLE UPON REQUEST. ADDITIONAL PLUG OPTIONS ARE AVAILABLE AT <https://www.globtek.com/connectors/> STANDARD PLUGS AND CONNECTORS CAN BE SEEN ONLINE AT <https://www.globtek.com/connectors/> ACTUAL CONNECTORS, OVERMOLDS, FERRITES MAY VARY SLIGHTLY FROM THE PICTURE BELOW DIMENSIONS ARE IN MM UNLESS SPECIFIED OTHERWISE

| | | |
|---|--|---|
| End A Code:271 Description:India IS:1293 Rating (V):250 Rating (A):6.0 Gender:Male Overmolded:Yes | Cable Code:YY2x75 Description:GT Cable #YY2x75: 0.75 / 2 Conductors, Flatmm OD, YY (India), 70 Deg.C, 450 minV, BLK/RED, Approvals: ISI (India) Color:GlobTek Black Wire Gauge(AWG):0.75 Cond:2 Type:YY (India) Temperature:70° C Amps:6 Volts:450 min OD:Flat ConductorsColors:BLK/RED | End B Code:703-IN Description:IEC320-C7; Rating (V):250 Rating (A):2.5 Gender:Female Overmolded:Yes |
|---|--|---|

Overall cable rating:

| Plug Approvals | Cable Approvals | Connector Approvals |
|---|---|---|
|  <p>ISI (India Cordset)</p> |  <p>ISI (India Cordset)</p> | <p>No safety logo required for IEC connectors in India</p> <p>ISI (IEC connector for India)</p> |

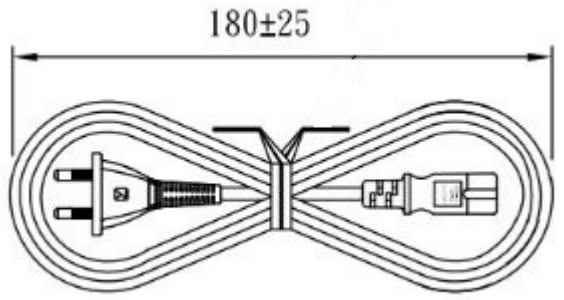
| | |
|-------------------------------|---|
| AGENCY ONLINE DOCUMENTS | http://en.globtek.com/cordsets/ |
| RoHS/RoHS3 Declaration | https://www.globtek.com/pdf/rohs_cert/01t3a000004dMRpAAM |
| REACH Declaration | https://www.globtek.com/pdf/iso_certificates/REACH.pdf |
| Conflict Minerals Declaration | https://www.globtek.com/pdf/conflict-minerals.pdf |
| Prop 65 Statement | https://en.globtek.com/prop-65-statement.pdf |
| CE.UKCA.Cord | https://globtek.secure.force.com/spec/ec_decl_product_model_family_incl_cord?id=01t3a000004dMRp |

IPXY rating is based on 3rd party testing and customers should check suitability and test system level IPXY rating before ordering.

| | | |
|---|--|--------|
| GlobTek, Inc. www.globtek.com 186 Veterans Drive, Northvale, NJ 07647 Tel. (201) 784-1000 Fax (201) 784-0111 | Drawing Title: India IS:1293 to IEC320-C7;, GT Cable #YY2x75: 0.75 / 2 Conductors, Flatmm OD, YY (India), 70 Deg.C, 450 minV, BLK/RED, Approvals: ISI (India), 1800mm, GlobTek Black | |
| | Model No. Power Cord | Rev A2 |
| Part No./Ordering No. 2714111M8703A(R) | | |

CUSTOMIZED LENGTHS, COLORS, CABLE TYPES, TERMINATIONS/PLUGS/RECEPTACLES AVAILABLE UPON REQUEST. ADDITIONAL PLUG OPTIONS ARE AVAILABLE AT <https://www.globtek.com/connectors/> STANDARD PLUGS AND CONNECTORS CAN BE SEEN ONLINE AT <https://www.globtek.com/connectors/> ACTUAL CONNECTORS, OVERMOLDS, FERRITES MAY VARY SLIGHTLY FROM THE PICTURE BELOW DIMENSIONS ARE IN MM UNLESS SPECIFIED OTHERWISE

Hanking: 180
 Description:Hanked; 180mm secured with twist tie
 Image:



Notes/Modifications/Customizations (notes in this section supersede the values shown in the standard spec):