

(E)

NOTES:

1. MATERIAL:
 - (A). SCREW: SEE LEGEND
 - (B). INSULATOR: PBT, UL94V-0
 - (C). TERMINAL: BRASS, TIN PLATED
2. NUMBER OF CIRCUIT POSITIONS AVAILABLE: 2 THROUGH 15
3. ELECTRICAL RATINGS:
 - (A). MAXIMUM VOLTAGE: 600V
 - (B). MAXIMUM CURRENT: 50A
 - (C). INSULATION RESISTANCE: 500MΩ PER MINUTE
 - (D). DIELECTRIC WITHSTAND VOLTAGE: 2200V AC
4. WIRE RANGE: 8 TO 20 AWG (SOLID OR STRANDED COPPER)
5. RECOMMENDED WIRE STRIP LENGTH: 0.32 IN. (8mm)
6. SCREW TORQUE: 16 LBF. IN. (1.8Nm)
7. OPERATING TEMPERATURE: -40°C TO +120°C

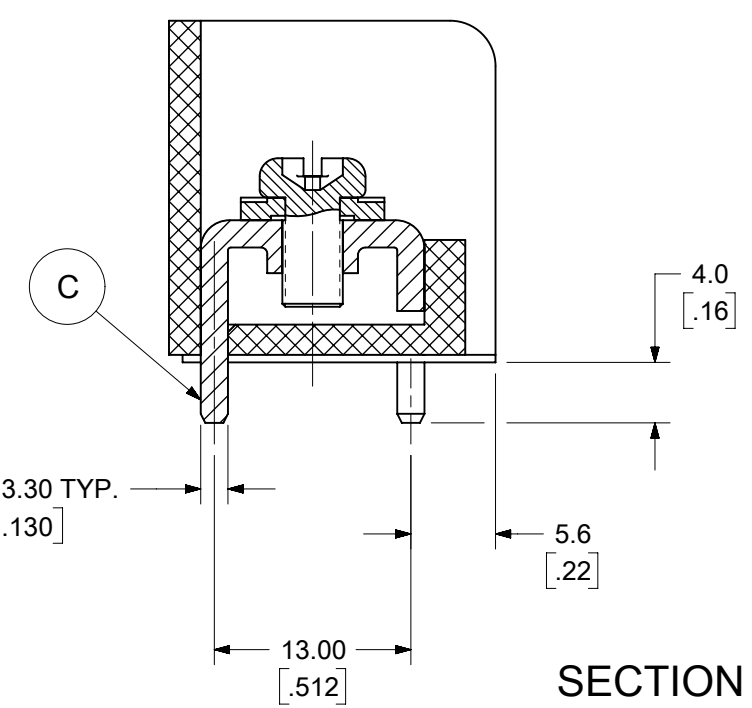
MATERIAL NUMBER LEGEND

389 XX X X XX

INSULATOR STYLE ——— NO. OF CIRCUITS
 69- NO MOUNTING ENDS (02 - 15)

TERMINAL STYLE ——— SCREW STYLE
 0 - PC TAILS 0 - M4 WITH SQUARE WASHER, STEEL, NICKEL PLATED

TERM. STYLE 0 - PC TAILS



SECTION A-A

THIS DRAWING CONTAINS INFORMATION THAT IS PROPRIETARY TO MOLEX ELECTRONIC TECHNOLOGIES, LLC AND SHOULD NOT BE USED WITHOUT WRITTEN PERMISSION											
SYMBOLS		DIMENSION UNITS		SCALE		CURRENT REV DESC: UPDATED NOTES SECTION					
▽ = 0		MM/INCH		2:1		EC NO: 632901					
▽ = 0		GENERAL TOLERANCES (UNLESS SPECIFIED)						DRWN: ABENJAMINLW		2020/01/14	
▽ = 0		4 PLACES ± .01		MM		INCH		CHK'D: DACHAMMER		2020/02/25	
▽ = 0		3 PLACES ± .02		± .005		± .01		APPR: JFMURPHY		2020/03/09	
▽ = 0		2 PLACES ± 0.13		± .01		± .01		INITIAL REVISION:			
▽ = 0		1 PLACE ± 0.3		± .01		± .01		DRWN: CLYORK		2006/11/22	
▽ = 0		0 PLACES ± .01		± .01		± .01		APPR: JMACNEIL		2006/12/01	
▽ = 0		ANGULAR TOL ± 2°		± 2°		± 2°		MATERIAL NUMBER		CUSTOMER	
▽ = 0		DRAFT WHERE APPLICABLE MUST REMAIN WITHIN DIMENSIONS		THIRD ANGLE PROJECTION		DRAWING		SERIES		SHEET NUMBER	
▽ = 0				B-SIZE		38969		SEE LEGEND		GENERAL MARKET	

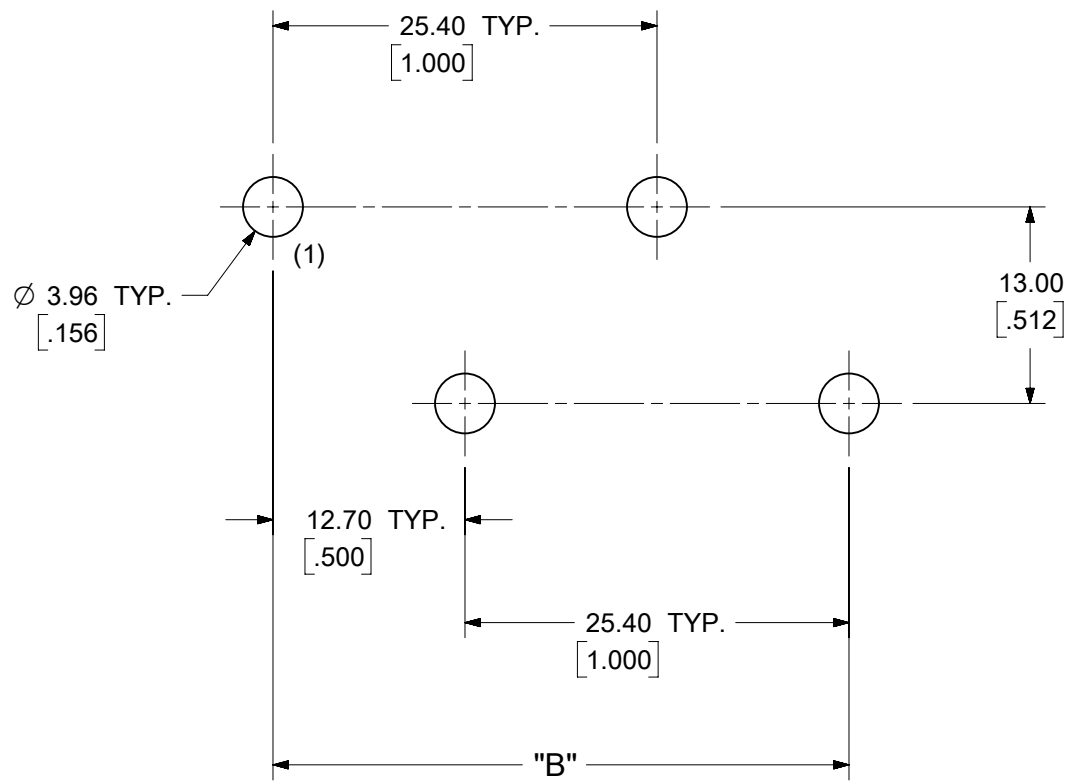
molex

12.70MM [.500] SINGLE ROW TRI-BARRIER TERMINAL STRIP

PRODUCT CUSTOMER DRAWING

DOCUMENT NUMBER: SD-38969-001 | DOC TYPE: PSD | DOC PART: 001 | REVISION: E

QUANTITY OF CIRCUITS	DIM. "A"		DIM. "B"	
	mm	IN	mm	IN
02	27.9	1.10	12.70	.500
03	40.6	1.60	25.40	1.000
04	53.3	2.10	38.10	1.500
05	66.0	2.60	50.80	2.000
06	78.7	3.10	63.50	2.500
07	91.4	3.60	76.20	3.000
08	104.1	4.10	88.90	3.500
09	116.8	4.60	101.60	4.000
10	129.5	5.10	114.30	4.500
11	142.2	5.60	127.00	5.000
12	154.9	6.10	139.70	5.500
13	167.6	6.60	152.40	6.000
14	180.3	7.10	165.10	6.500
15	193.0	7.60	177.80	7.000



RECOMMENDED PCB LAYOUT

SYMBOLS	THIS DRAWING CONTAINS INFORMATION THAT IS PROPRIETARY TO MOLEX ELECTRONIC TECHNOLOGIES, LLC AND SHOULD NOT BE USED WITHOUT WRITTEN PERMISSION					
	DIMENSION UNITS	SCALE	CURRENT REV DESC: UPDATED NOTES SECTION			
▽ = 0	MM/INCH	2:1				
▽ = 0	GENERAL TOLERANCES (UNLESS SPECIFIED)			EC NO: 632901 DRWN: ABENJAMINLW 2020/01/14 CHK'D: DACHAMMER 2020/02/25 APPR: JFMURPHY 2020/03/09 INITIAL REVISION: DRWN: CLYORK 2006/11/22 APPR: JMACNEIL 2006/12/01		
▽ = 0		MM	INCH			
▽ = 0	4 PLACES	±	---		±	---
▽ = 0	3 PLACES	±	---		±	.005
▽ = 0	2 PLACES	±	0.13		±	.01
▽ = 0	1 PLACE	±	0.3	±	---	
▽ = 0	0 PLACES	±	---	±	---	
▽ = 0	ANGULAR TOL		± 2°			
■ = 0	DRAFT WHERE APPLICABLE MUST REMAIN WITHIN DIMENSIONS		THIRD ANGLE PROJECTION	DRAWING		
▽ = 0				SERIES B-SIZE		

DOCUMENT NUMBER			DOC TYPE	DOC PART	REVISION
SD-38969-001			PSD	001	E
MATERIAL NUMBER		CUSTOMER		SHEET NUMBER	
SEE LEGEND		GENERAL MARKET		2 OF 2	