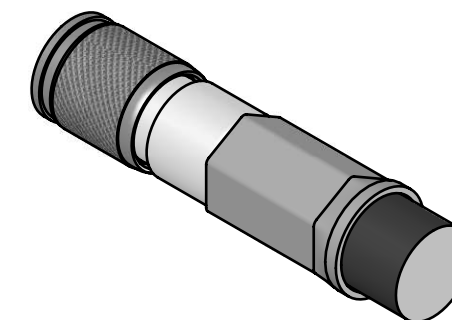


CRIMPED FERRULE HEX CRIMP SIZE .278 [7.08].
 CRIMPED CONTACT PIN SQUARE CRIMP SIZE .042 [1.07].
 ALTERNATE CONTACT PIN RADIAL CRIMP TOOL:
 - DANIELS HAND TOOL NUMBER: MH995
 - DANIELS POSTIONER NUMBER: K1803



RECOMMENDED CABLE STRIPPING AND CRIMPING DIMENSIONS

NOTES:

1. BODY: COPPER ALLOY, NICKEL PLATED.
2. CONTACT PIN: COPPER ALLOY, GOLD PLATED.
3. SPRING: BERYLLIUM COPPER, NICKEL PLATED.
4. TINE CONTACT: BERYLLIUM COPPER, GOLD PLATED.
5. INSULATOR: TEFLON
6. FERRULE: COPPER ALLOY, NICKEL PLATED.
7. CHARACTERISTIC IMPEDANCE: 75 OHMS, 3 GHz BANDWIDTH.
8. RETURN LOSS: MEETS HDTV SMPTE 424M SPECIFICATION.
9. DIMENSIONS ARE FOR REFERENCE ONLY.
10. THIS PRODUCT IS RoHS COMPLIANT.

CUSTOMER DRAWING

					THIS DRAWING DESCRIBES A DESIGN CONSIDERED PROPRIETARY IN NATURE, DEVELOPED AND MANUFACTURED BY SWITCHCRAFT INC. AND IS RELEASED ON A CONFIDENTIAL BASIS FOR IDENTIFICATION PURPOSES ONLY.				
					SIZE *	WIDTH *	MULT *	LBS/M *	TEMPER *
					FINISH *			MATERIAL SEE NOTES	
					SPEC No. *			SPEC No. *	
					FIRST USED ON *		SCALE 4:1		
B	26729	01/24/12	TS	BDS	DATE DRAWN	BY	CHKD	APVD	Switchcraft [®]
A	26641	11/24/10	ZS	SRC	04/29/10	ZS	04/29/10	04/29/10	
REV	ECO NUMBER	DATE	BY	APVD	NAME			PART No.	
REVISIONS					DIN 1.0/2.3 PLUG, 75 OHMS, RoHS			SHEET 1 OF 1	
DO NOT SCALE DRAWING					DIN1694A			REV B	