

MATERIAL NO.	ENGINEERING NO.	FINISHED LENGTH
1300062392	103106K13M150	49'2" (15M)
1300062393	103106K13M200	65'7" (20M)
1300062394	103106K13M060	19'8" (6M)

**CABLE LENGTH TOLERANCES**  
>.3M [1FT]: +19mm-0 [+ .75in-0]  
.3 - .9M [1 - 3FT]: +44.5mm-0 [+1.75in-0]  
.9 - 1.8M [3 - 6FT]: +55.6mm-0 [+2.19in-0]  
1.8 - 3.7M [6 - 12FT]: +88.9mm-0 [+3.50in-0]  
3.7 - 7.3M [12 - 24FT]: +165.1mm-0 [+6.50in-0]  
7.3-14.6M [24 - 48FT]: +317.5mm-0 [+12.50in-0]  
14.6 - 30.5M [48-100FT]: +622.3mm-0 [+24.50in-0]  
OVER 30M [100FT] +2% OF FINISHED LENGTH

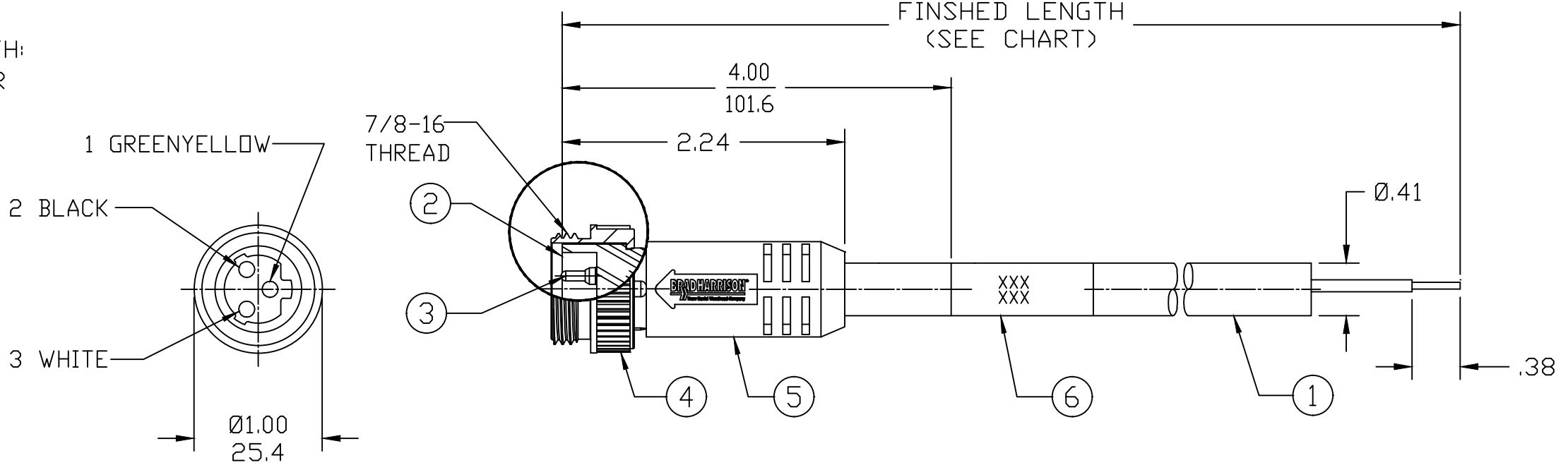
**PART NUMBER LEGEND**

103106K13M150

CABLE TYPE  
16/3 TPE  
HI-FLEX

FINISHED LENGTH:  
M005= 0.5 METER  
M010= 1 METER  
M100= 10 METER

- NOTES:**
- MATERIAL: AS NOTED
  - FINISH: AS NOTED
  - ELECTRICAL:  
VOLTAGE: 500V PER IEC60664  
600V PER UL2238  
CURRENT: 13A
  - TEMP RATING: -20°TO +90°C
  - PROTECTION: IP67 (WHEN MATED)
  - COUPLING THREAD: AS NOTED
  - UL LISTED FILE: E258922
  - ALL DIMS ARE FOR REFERENCE UNLESS NOTED OTHERWISE



**CABLE MECHANICAL INFO:**

TORSIONAL FLEX TEST	20 MILLION CYCLES PER MIL-C-13777G
BEND FLEX TEST	20 MILLION CYCLES PER MIL-C-13777G
WELD SLAG RESISTANCE	WOODHEAD STANDARD S-300

ITEM	QTY.	DESCRIPTION	MATERIAL	FINISH
6	1	WRAP LABEL	VINYL	BLACK/YELLOW
5	1	OVERMOLD	PVC	GRAY
4	1	COUPLING, A-SIZE, EXT. THREAD	ZINC DIE-CAST	BLACK
3	3	CONTACT PIN	Cu ALLOY	GOLD PLATED
2	1	INSERT, MALE, TRI KEY	PVC	BLACK
1	1	CABLE, 16/3	TPE JACKET	YELLOW

WAS RSD-130006-088 REV-A EC NO: IPG2018-0217 DRWN: RSTONE 2017/10/03 CHKD: M ZIELIN 2017/10/06 APPR: BWOODMAN2017/10/11	DESCRIPTION REV	<b>QUALITY SYMBOLS</b> 	<b>GENERAL TOLERANCES (UNLESS SPECIFIED)</b>		<b>DIMENSION STYLE</b> IN/MM		SCALE ---	DESIGN UNITS INCH	<b>THIRD ANGLE PROJECTION</b>
		4 PLACES ±--- mm    ±--- INCH 3 PLACES ±--- mm    ±--- INCH 2 PLACES ±--- mm    ±--- INCH 1 PLACE ±--- mm    ±--- INCH		DRAWN BY: RSTONE    DATE: 2017/10/03 CHECKED BY: M ZIELIN    DATE: 2017/10/06 APPROVED BY: BWOODMAN    DATE: 2017/10/11		TITLE <b>MINI-CHANGE CORD ASSY          3P, MALE EXT THD, STR          TRI-KEY 16 AWG, TPE</b>		<b>MOLEX INCORPORATED</b>	
		DRAFT WHERE APPLICABLE MUST REMAIN WITHIN DIMENSIONS		MATERIAL NO. <b>SEE CHART</b>		DOCUMENT NO. <b>SD-130006-088</b>			
		<b>A1</b>		SIZE <b>B</b>		THIS DRAWING CONTAINS INFORMATION THAT IS PROPRIETARY TO MOLEX INCORPORATED AND SHOULD NOT BE USED WITHOUT WRITTEN PERMISSION			