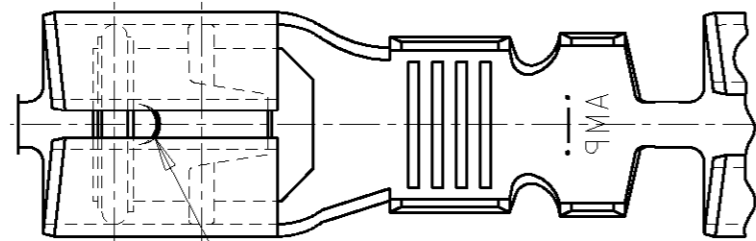
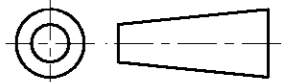


DO NOT SCALE

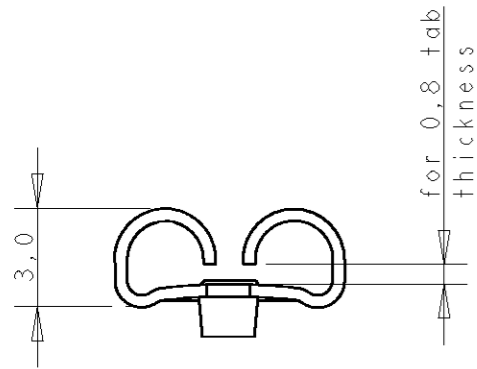
DIMENSIONS IN mm

METRIC

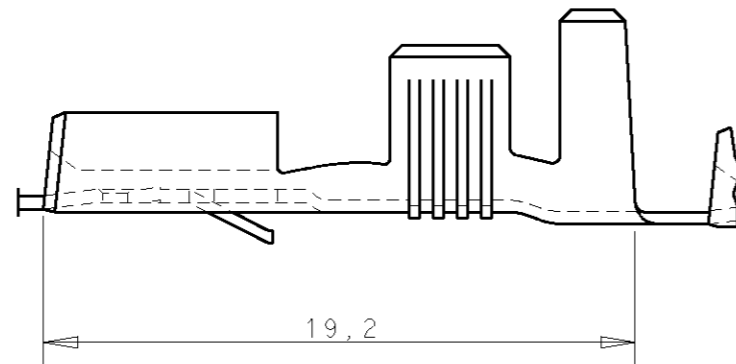
THIRD ANGLE  
PROJECTION



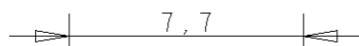
DIMPLE



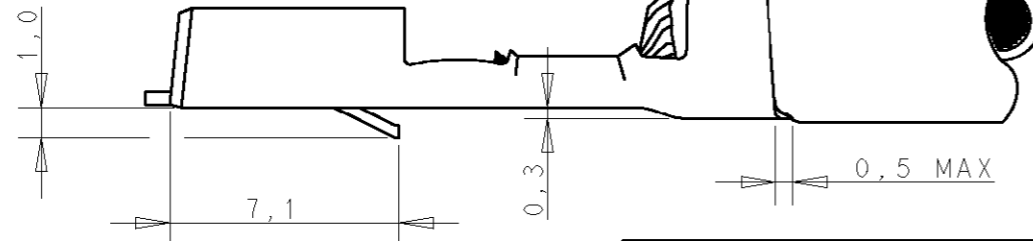
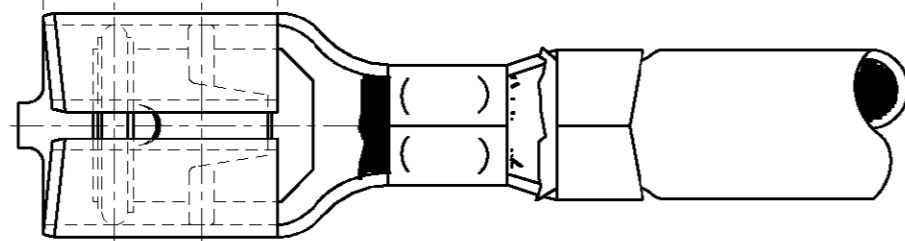
for 0,8 tab  
thickness



19,2



7,7



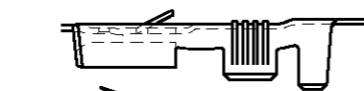
7,1

0,3

0,5 MAX

WIRE RANGE :  
4,0-6,0 mm<sup>2</sup>  
INSULATION RANGE :  
3,4-5,1mm DIA.

DIRECTION OFF TOP OF REEL



Terminal "U" down.

NOTES:

1 PH.BRONZE ACC ASTM B103.

2 OBSOLETE PARTS: OBSOLETE CIS STREAMLINING PER D.RENAUD/D.SINISI

GENERAL TOLERANCES ±0.3

OBSOLETE	1	FINISH	MATERIAL	PARTNUMBER
2	1	PRE-TINPLATED	PH.BRONZE	<del>160811-8</del>
	1	PRE-TINPLATED	BRASS	<del>160811-7</del>
2	1	UNPLATED	PH.BRONZE	160811-8
	1	UNPLATED	BRASS	160811-7
2	1	SILVERPLATED	PH.BRONZE	160811-6
	1	SILVERPLATED	BRASS	160811-5
2	1	TINPLATED	PH.BRONZE	160811-4
	1	UNPLATED	PH.BRONZE	160811-3
	1	TINPLATED	BRASS	160811-2
	1	UNPLATED	BRASS	160811-1

NOTES	FINISH	MATERIAL	PARTNUMBER
-	-	-	-
-	-	-	-
G1	ECO-09-025699	KK AEG	15DEC09
G	ES00-0008-03	JL JL	17JAN03
F	ES00-0065-01	JC JL	19JUN01
E	ES00-0043-01	JC RS	27APR01
D	EH-0168-94	DK PB	21-06-94
LTR.	REVISION RECORD	DR.	CHK. DATE
DR.:	D.KESSLER	CHK.:	P.BEIJNON
DATE:	21-06-94	DATE:	-
APP.:	L.v.SOEST	DR.	CHK. DATE
DATE:	-	DATE:	-

CUSTOMER DRAWING FOR REFERENCE ONLY  
WILL NOT BE UPDATED  
© COPYRIGHT 19- BY AMP HOLLAND B.V.  
ALL INTERNATIONAL RIGHTS RESERVED. AMP PRODUCTS MAY BE  
COVERED BY U.S. AND FOREIGN AND/OR PATENTS PENDING.  
THIS DRAWING IS UNPUBLISHED  
RELEASED FOR PUBLICATION

**AMP** Tyco Electronics AMP  
Barcelona, Spain

NAME  
6,3 SRS FASTIN-ON  
RECEPTACLE

DWG. No. 160811  
REV. LTR. G1  
SHEET 1 OF 1  
A3