



**MAG-MATE**

TE Internal #: 926852-2

Magnet Wire Terminals, Leaf, Mating Tab Width .134 in [3.4 mm], Size 2, .4 – .67 mm Magnet Wire, 26 – 23 AWG Magnet Wire, MAG-MATE

[View on TE.com >](#)

Terminals & Splices > Magnet Wire Terminals



Magnet Wire Terminal Type: **Leaf**

Mating Tab Width: **3.4 mm [ .134 in ]**

Mating Tab Thickness: **.5 mm [ .02 in ]**

Compatible With Cavity Size: **Size 2**

Magnet Wire Size: **26 – 23 AWG**

**Features**

**Product Type Features**

Compatible With Discrete Wire Type	Magnet Wire, Solid
------------------------------------	--------------------

**Body Features**

Compatible With Cavity Size	Size 2
-----------------------------	--------

**Contact Features**

Magnet Wire Terminal Type	Leaf
Mating Tab Width	3.4 mm[.134 in]
Mating Tab Thickness	.5 mm[.02 in]
Terminal Plating Material	Tin
Terminal Orientation	Twisted

**Termination Features**

Termination Method to Wire & Cable	Insulation Displacement (IDC)
------------------------------------	-------------------------------

**Dimensions**

Terminal Height	7.6 mm[.3 in]
-----------------	---------------



Magnet Wire Size	.4 – .67 mm
Stock Thickness (Magnet Wire Side)	.4 mm [.016 in]
Product Length	7.9 mm [.311 in]

### Usage Conditions

Insulation Option	Uninsulated
Operating Temperature Range	-65 – 150 °C [-85 – 302 °F]

### Operation/Application

Compatible With Wire Base Material	Copper
------------------------------------	--------

### Identification Marking

Identification Number	10
-----------------------	----

### Packaging Features

Packaging Quantity	15000
Packaging Method	Reel, Reel/Carton

### Other

Terminals & Splices Comment	Two magnet wires may be terminated in same terminal if diameters are equal (max. diameter .55mm), Two magnet wires may be terminated in same terminal if diameters are equal (max. diameter 0.55 mm)
-----------------------------	--

## Product Compliance

[For compliance documentation, visit the product page on TE.com>](#)

EU RoHS Directive 2011/65/EU	Compliant
EU ELV Directive 2000/53/EC	Compliant
China RoHS 2 Directive MIIT Order No 32, 2016	No Restricted Materials Above Threshold
EU REACH Regulation (EC) No. 1907/2006	Current ECHA Candidate List: JUNE 2023 (235) Candidate List Declared Against: JUNE 2023 (235) Does not contain REACH SVHC
Halogen Content	Low Halogen - Br, Cl, F, I < 900 ppm per homogenous material. Also BFR/CFR/PVC Free
Solder Process Capability	Not applicable for solder process capability

Product Compliance Disclaimer

This information is provided based on reasonable inquiry of our suppliers and represents our current actual knowledge based on the information they provided. This information is subject to change. The part numbers that TE has identified as EU RoHS compliant have a maximum concentration of 0.1% by weight in homogenous materials for lead, hexavalent chromium, mercury, PBB, PBDE, DBP, BBP, DEHP, DIBP, and 0.01% for cadmium, or qualify for an exemption to these limits as defined in the Annexes of Directive 2011/65/EU (RoHS2). Finished electrical and electronic equipment products will be CE marked as required by Directive 2011/65/EU. Components may not be CE marked. Additionally, the part numbers that TE has identified as EU ELV compliant have a maximum concentration of 0.1% by weight in homogenous materials for lead, hexavalent chromium, and mercury, and 0.01% for cadmium, or qualify for an exemption to these limits as defined in the Annexes of Directive 2000/53/EC (ELV). Regarding the REACH Regulation, the information TE provides on SVHC in articles for this part number is based on the latest European Chemicals Agency (ECHA) 'Guidance on requirements for substances in articles' posted at this URL: <https://echa.europa.eu/guidance-documents/guidance-on-reach>

## Compatible Parts



Also in the Series | **MAG-MATE**



Insertion & Extraction Tools(7)



Magnet Wire Terminals(435)



PCB Terminals(1)

## Customers Also Bought



TE Part #0413-214-1205  
SEALING PLUG, SIZE 12, KEYING, YEL



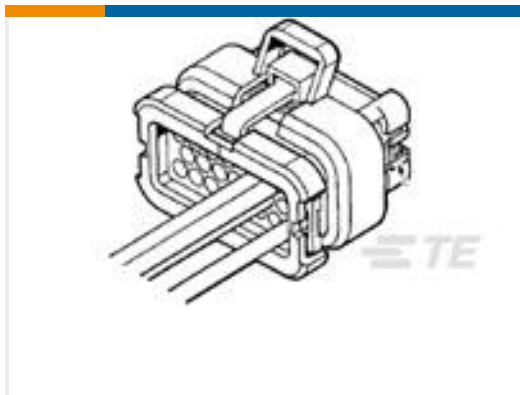
TE Part #HDC16-6  
DUST CAP ASM



TE Part #DT06-3S-EP11  
PLG, 3P, BLK, N, SEAL RET, XCAP



TE Part #1375819-1  
CST-100 II CONTACT TIN PLT



TE Part #776164-1  
35POS,AMPSEAL,SOC HSG ASSY,SLD,  
COD 1



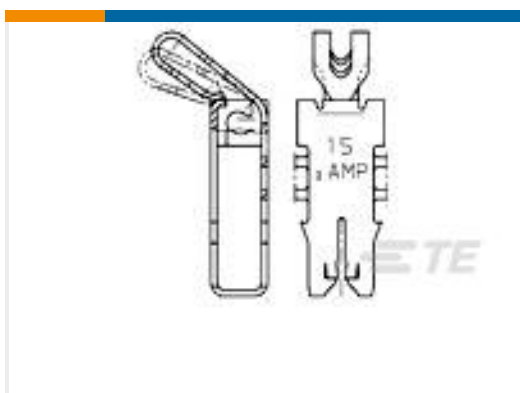
TE Part #1375820-3  
CST-100 II HOUSING 3 POS



TE Part #926850-1  
MAG MATE LEAF KONT



TE Part #2-926850-1  
MAG MATE LEAF KONT



TE Part #969125-1  
MAG-MATE KONT M.FED



TE Part #659822-1  
INSERTER,SINGLE

## Documents

### Product Drawings

[MAG MATE LEAF KONT](#)

English

### CAD Files

[3D PDF](#)

[3D](#)

[Customer View Model](#)

[ENG\\_CVM\\_CVM\\_926852-2\\_C.2d\\_dxf.zip](#)



English

**Customer View Model**

[ENG\\_CVM\\_CVM\\_926852-2\\_C.3d\\_igs.zip](#)

English

**Customer View Model**

[ENG\\_CVM\\_CVM\\_926852-2\\_C.3d\\_stp.zip](#)

English

By downloading the CAD file I accept and agree to the [Terms and Conditions](#) of use.

---

**Datasheets & Catalog Pages**

[Magnet Wire Terminals & Splices](#)

English

---

**Product Specifications**

[Application Specification](#)

English

---

**Product Environmental Compliance**

[TE Material Declaration](#)

English