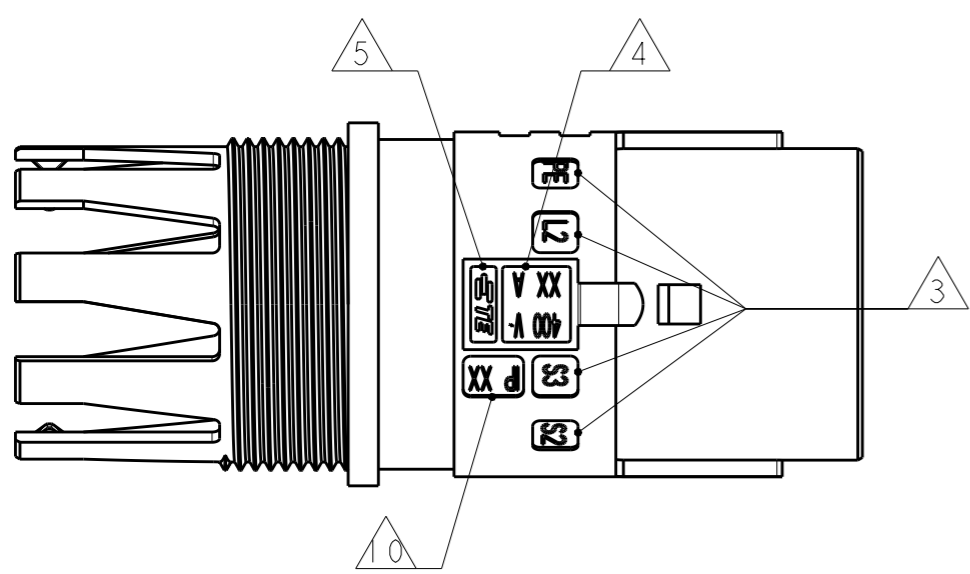
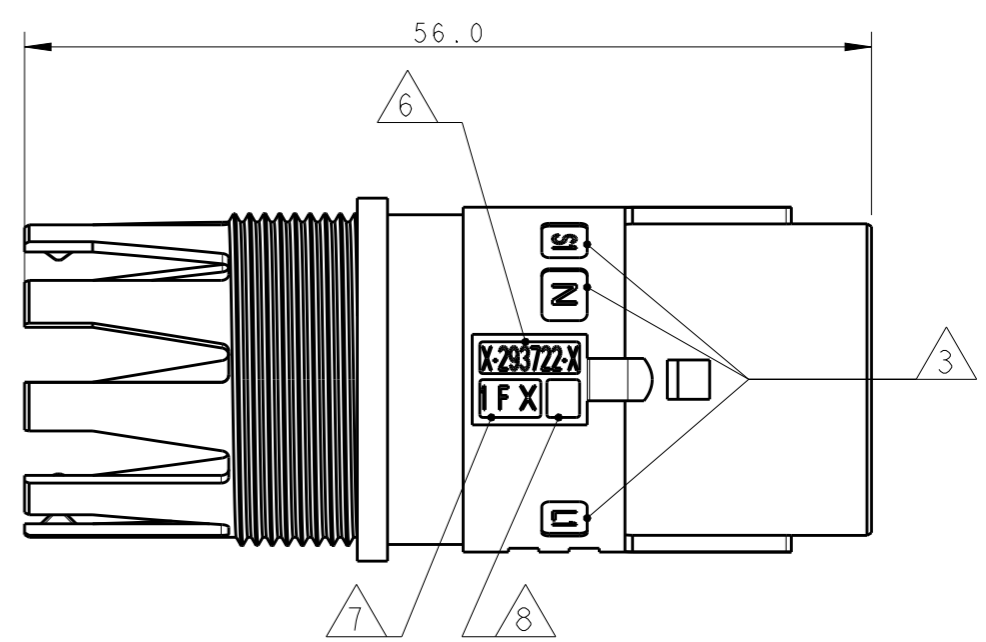
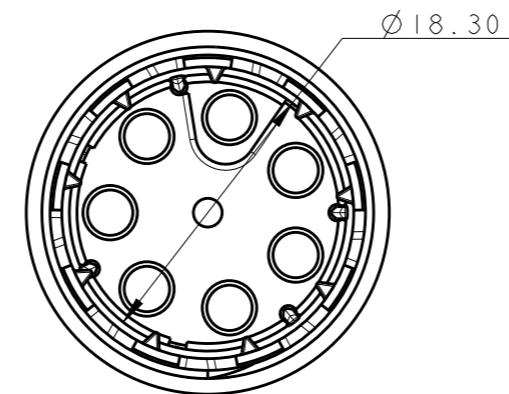
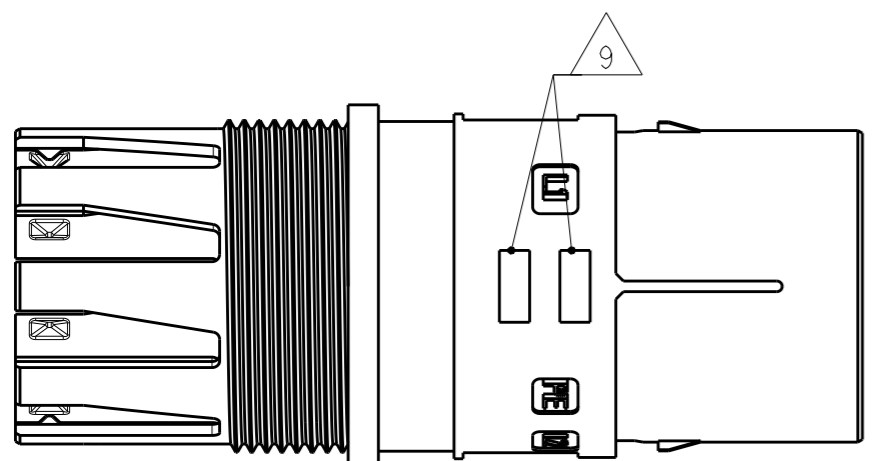


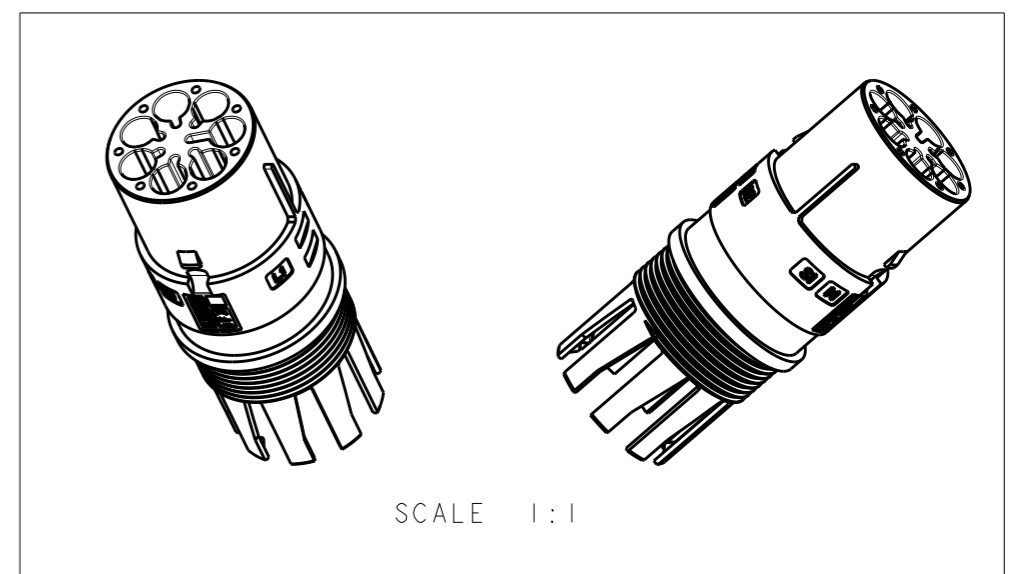
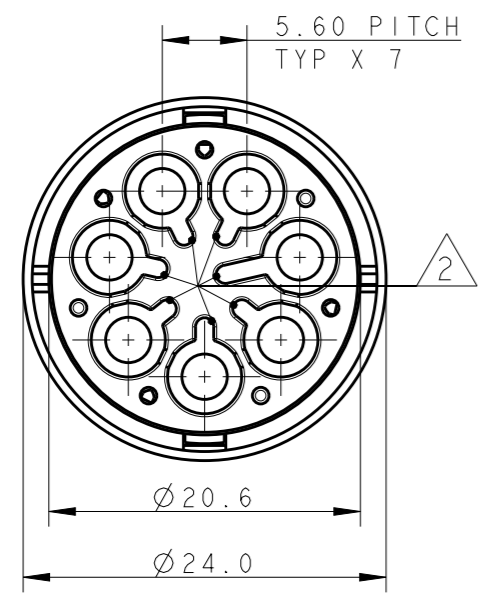
THIS DRAWING IS UNPUBLISHED. RELEASED FOR PUBLICATION 2011
 © COPYRIGHT 2011 BY - ALL RIGHTS RESERVED.

LOC	DIST	REVISIONS					
		P	LTR	DESCRIPTION	DATE	DWN	APVD
1	-		3	UPDATED	22JUL2013	MZ	JC
			4	REVISED LATCH SHAPE	02AUG2013	KR	JC
			A	PARTS RELEASED FOR PRODUCTION	13NOV2013	MZ	JC
			AI	REVISED PER ECR-18-006945	30MAY2018	NG	MZ



NOTES:

- 1 MATERIAL: PA GF (NATURAL AND BLACK COLOUR)
- 2 ALL POLARIZATION KEYS SHOWN FOR REF ONLY
- 3 WAYS I.D.
- 4 VOLTAGE AND CURRENT RATINGS
- 5 TE LOGO
- 6 TE PART NUMBER
- 7 DATA CODE AND CAVITY I.D.
- 8 AREA FOR AGENCIES APPROVAL LOGO
- 9 VISUAL INDICATOR FOR PE CONDUCTOR
- 10 IP CODE



THIS DRAWING IS A CONTROLLED DOCUMENT.		DWN A. BERNARDI 31MAR2011		TE Connectivity	
DIMENSIONS: mm		CHK M. ZUCCA 31MAR2011			
		TOLERANCES UNLESS OTHERWISE SPECIFIED:		NAME PIN HSG 7 POLES FREE HANGING NECTOR M-LINE UNSEALED VERSION	
		0 PLC ±- 1 PLC ±0.3 2 PLC ±0.20 3 PLC ±- 4 PLC ±- ANGLES ±3°		DRAWING NO. C-293722	
MATERIAL NOTE 1		FINISH -		RESTRICTED TO -	
		Customer Drawing		SCALE 2:1 SHEET 1 OF 2 REV AI	

4

3

2

1

THIS DRAWING IS UNPUBLISHED.

RELEASED FOR PUBLICATION

2011

© COPYRIGHT 2011 BY -

ALL RIGHTS RESERVED.

LOC	DIST	REVISIONS			
P	LTR	DESCRIPTION	DATE	DWN	APVD
		SEE SHEET 1			

POLARIZATION TYPES

POLARIZATION
TYPE "A"POLARIZATION
TYPE "B"POLARIZATION
TYPE "C"PNs 0-293722-1 AND
1-293722-1PNs 0-293722-2 AND
1-293722-2PNs 0-293722-3 AND
1-293722-3POLARIZATION
TYPE "D"POLARIZATION
TYPE "E"PNs ~~0-293722-4~~ AND
~~1-293722-4~~PNs ~~0-293722-5~~ AND
~~1-293722-5~~

TABLE 1

OBSOLETE		E	BLACK	PIN HSG 7 POLES FREE HANGING NECTOR* M-LINE	A	1-293722-5
		D	BLACK	PIN HSG 7 POLES FREE HANGING NECTOR* M-LINE	A	1-293722-4
		C	BLACK	PIN HSG 7 POLES FREE HANGING NECTOR* M-LINE	A	1-293722-3
		B	BLACK	PIN HSG 7 POLES FREE HANGING NECTOR* M-LINE	A	1-293722-2
		A	BLACK	PIN HSG 7 POLES FREE HANGING NECTOR* M-LINE	A	1-293722-1
OBSOLETE		E	NATURAL	PIN HSG 7 POLES FREE HANGING NECTOR* M-LINE	A	0-293722-5
		D	NATURAL	PIN HSG 7 POLES FREE HANGING NECTOR* M-LINE	A	0-293722-4
		C	NATURAL	PIN HSG 7 POLES FREE HANGING NECTOR* M-LINE	A	0-293722-3
		B	NATURAL	PIN HSG 7 POLES FREE HANGING NECTOR* M-LINE	A	0-293722-2
		A	NATURAL	PIN HSG 7 POLES FREE HANGING NECTOR* M-LINE	A	0-293722-1
NOTE	POL. KEYING	COLOUR	DESCRIPTION	REV.	P/N	

THIS DRAWING IS A CONTROLLED DOCUMENT.

DWN 31MAR2011

A. BERNARDI

CHK 31MAR2011

M. ZUCCA

APVD 31MAR2011

G. TURCO

PRODUCT SPEC

-

APPLICATION SPEC

-

WEIGHT

-

Customer Drawing

TE Connectivity

NAME
PIN HSG 7 POLES FREE HANGING
NECTOR M-LINE
UNSEALED VERSION

SIZE CAGE CODE DRAWING NO RESTRICTED TO

A300779 C-293722 -

SCALE 2:1 SHEET 2 OF 2 REV A1

DIMENSIONS:

mm

TOLERANCES UNLESS
OTHERWISE SPECIFIED:0 PLC ±
1 PLC ±0.3
2 PLC ±0.20
3 PLC ±
4 PLC ±
ANGLES ±3°

MATERIAL NOTE 1

FINISH

-

1470-19 (3/11)