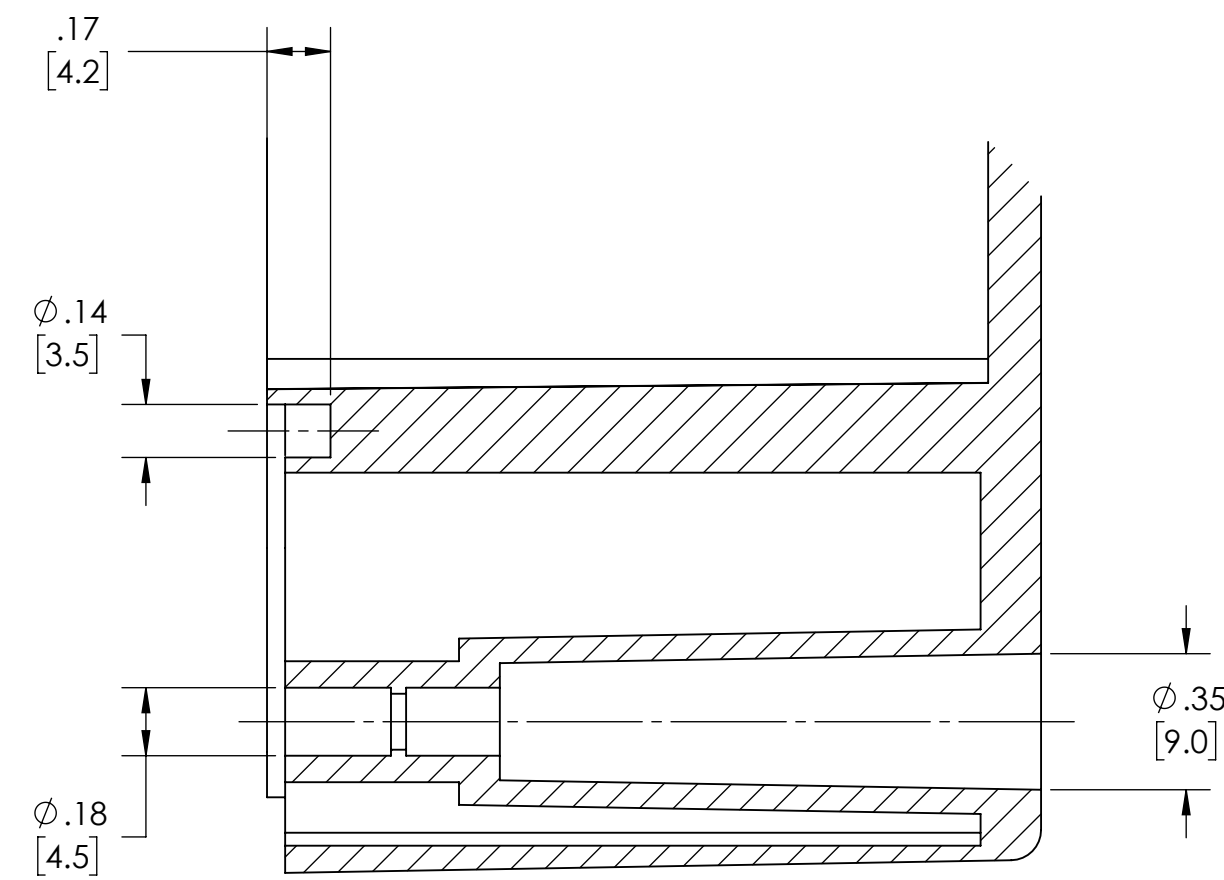


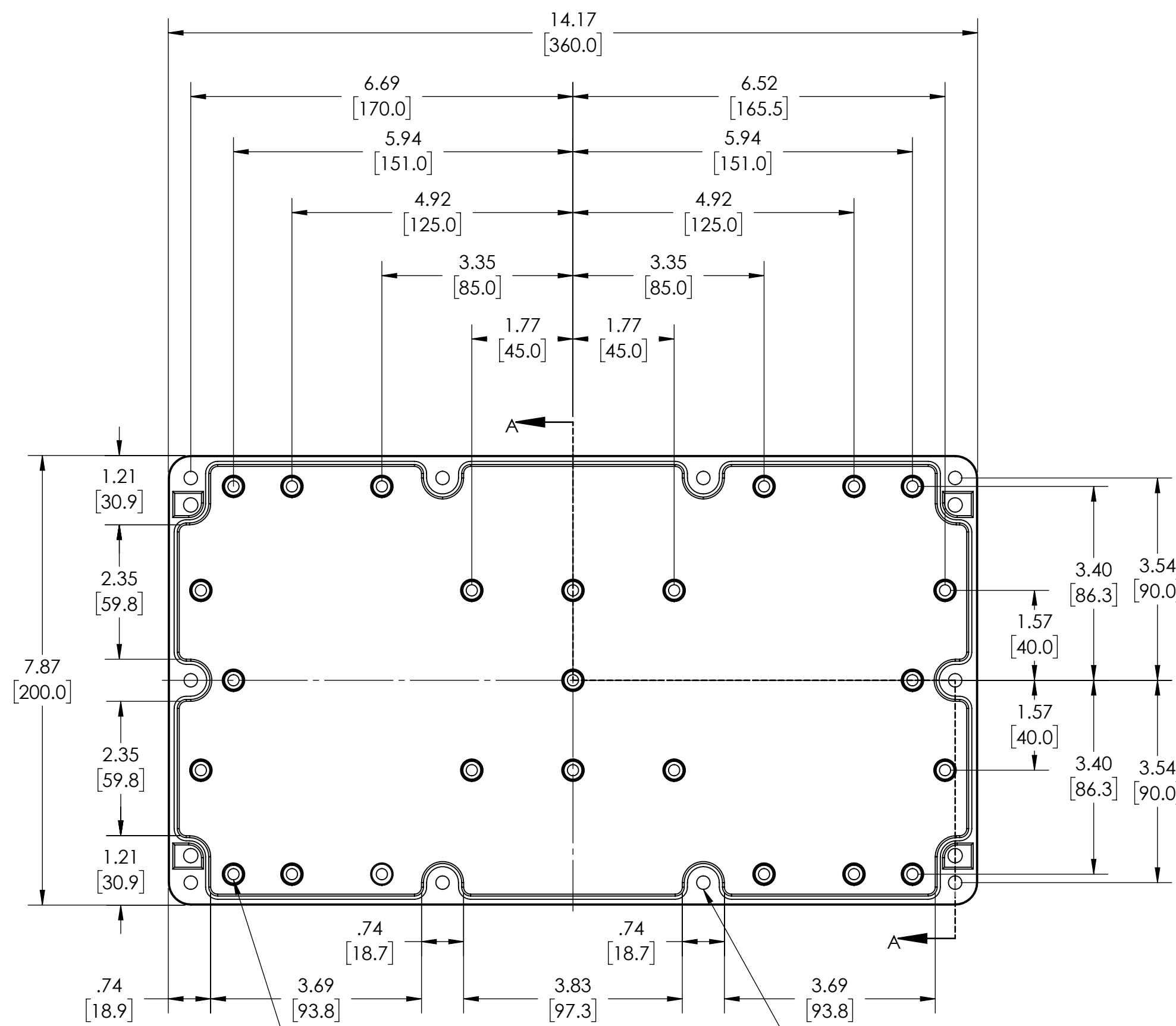
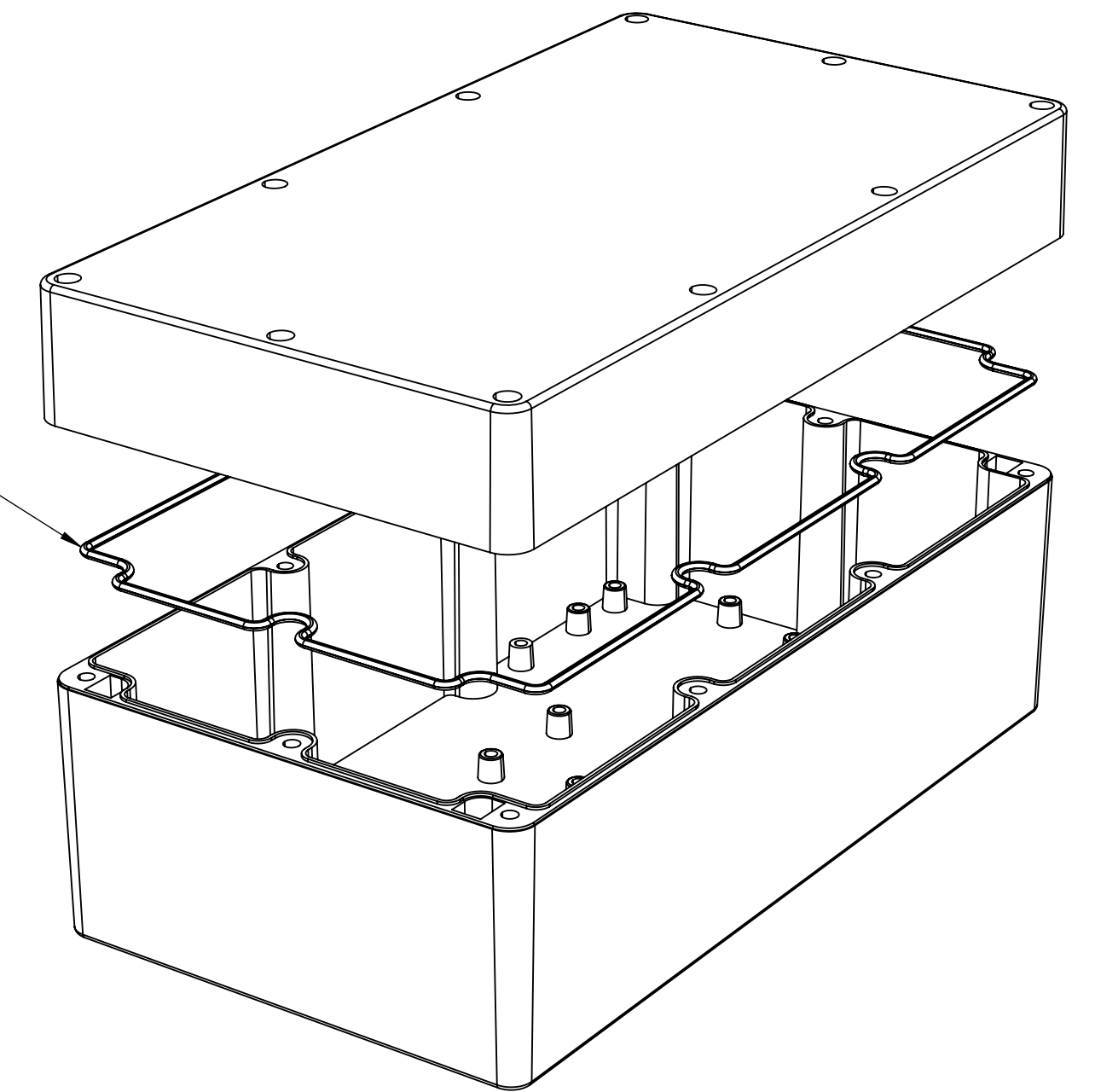
NOTES:

- MATERIAL AND FLAMMABILITY.
POLYCARBONATE (LIGHT GRAY AND CLEAR) - UL94-HB
BODY, COVER AND CLEAR COVER (C)
FLAMMABILITY RATING (UL FILE #E41613)
SERVICE TEMPERATURE RANGE: -40°C TO +120°C
- UL 508A (E352997) UL CERT OF COMPLIANCE.: BOXES UL LISTED
NEMA TYPE 6P STANDARD. DESIGNED MEETS IP68 OF IEC529
REQUIREMENTS. PC VERSION UV RESISTANT FOR OUT DOOR USE.
- GASKET (NOT INSTALLED) MOLDED SILICONE WHITE
- DIMENSIONS ARE INCH



DETAIL C
SCALE 2 : 1

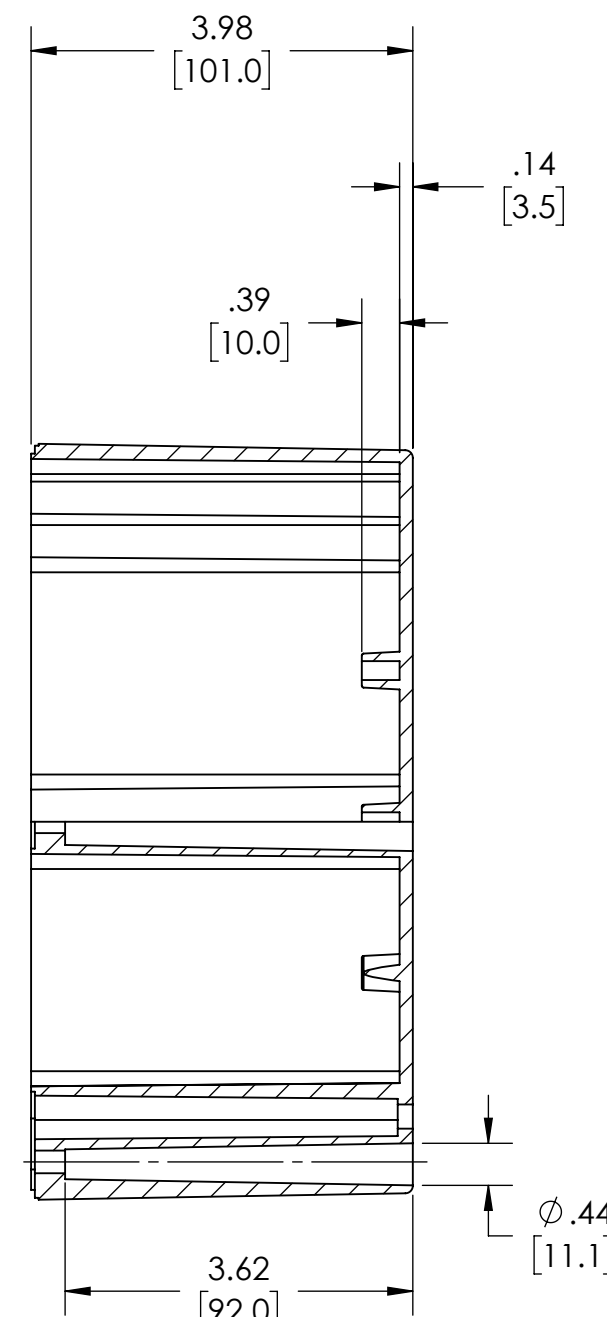
GASKET (NOT INSTALLED)
MOLDED SILICONE WHITE



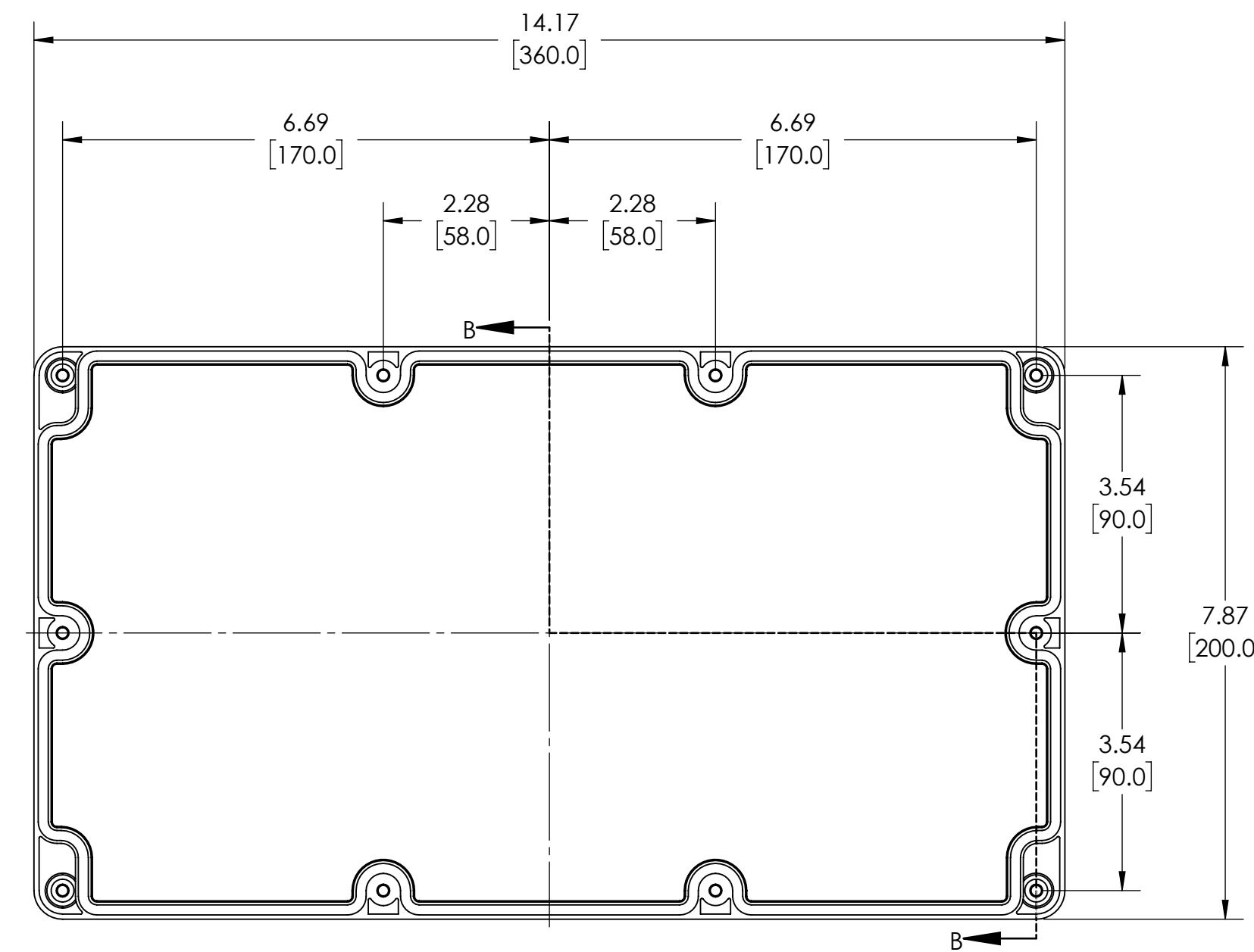
M5.5X8 TAPPING SCREWS X 25
(SCREWS NOT SUPPLIED)

M4X25 PAN HEAD
SCREWS X 10

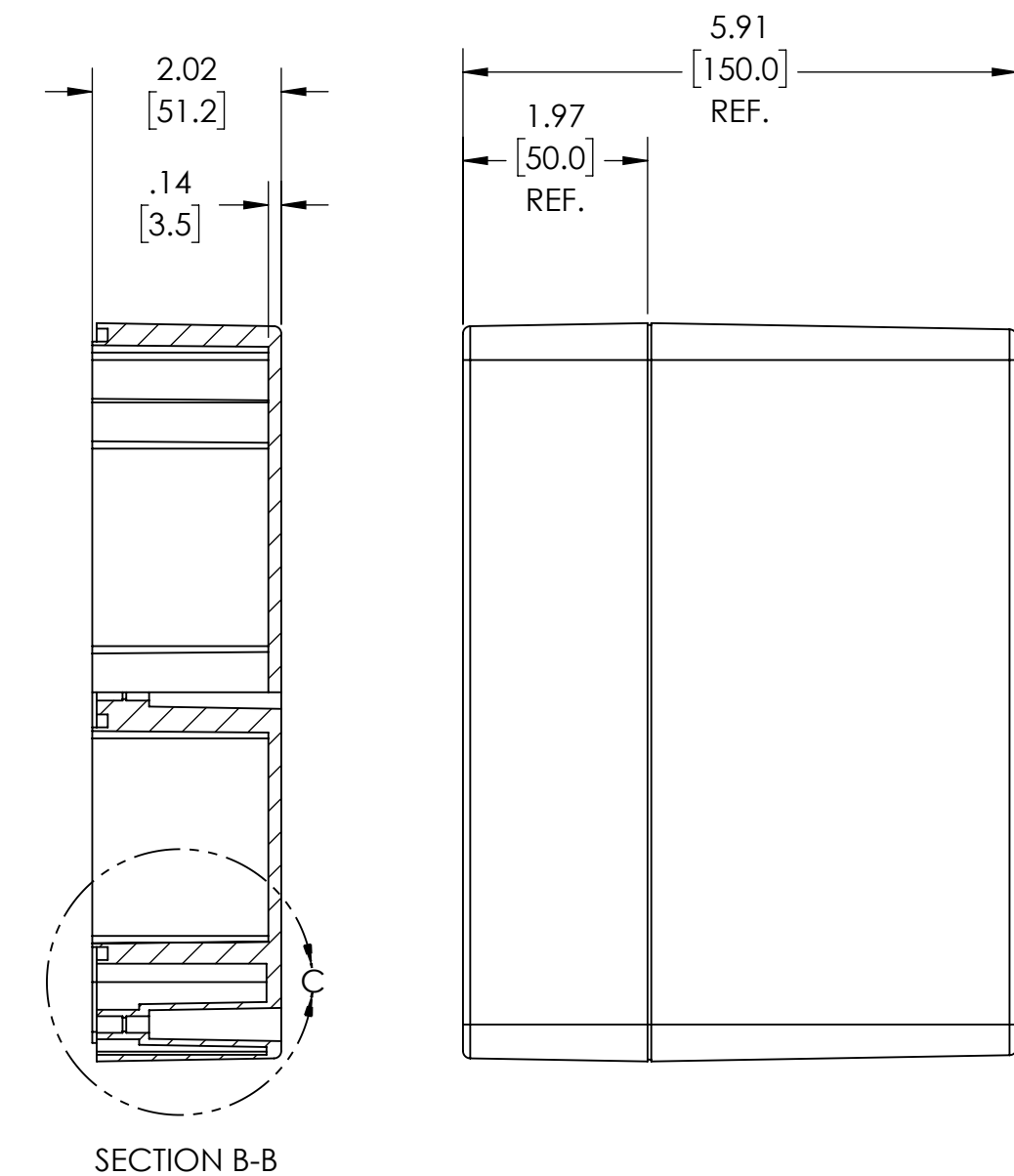
BODY



SECTION A-A



COVER



SECTION B-B

DRAWING FOR REFERENCE
WE RESERVE THE RIGHT TO MAKE CHANGES TO OUR
STANDARD PRODUCTS. PLEASE CONSULT WITH BUD INDUSTRIES
PRIOR TO USING THIS DRAWING FOR DESIGN PURPOSE.