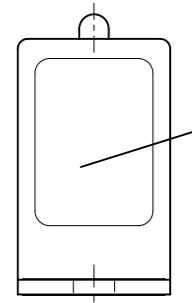


A 0 1 X X X

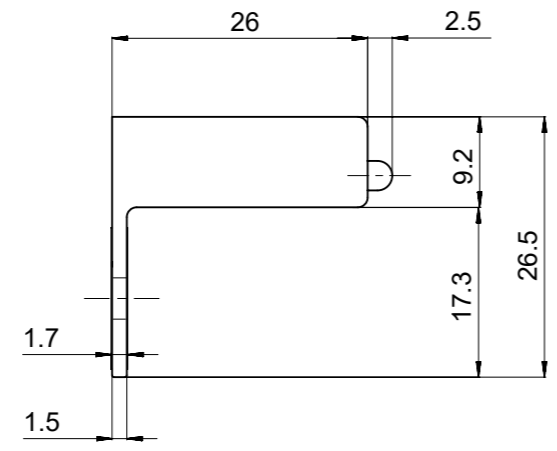
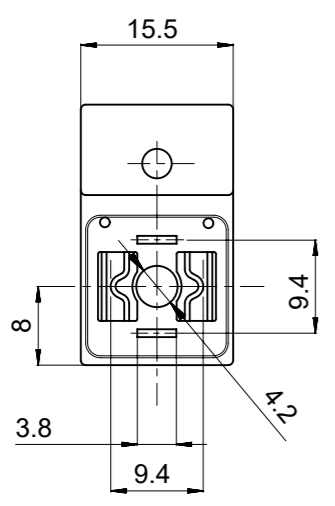
RODZAJ POLACZENIA/INTERNAL CIRCUIT
PATRZ SCHEMATY POLACZEN/WIREING CONFIGURATION

NAPIECIE ORAZ KOLOR DIODY/VOLTAGE AND LED COLOUR:

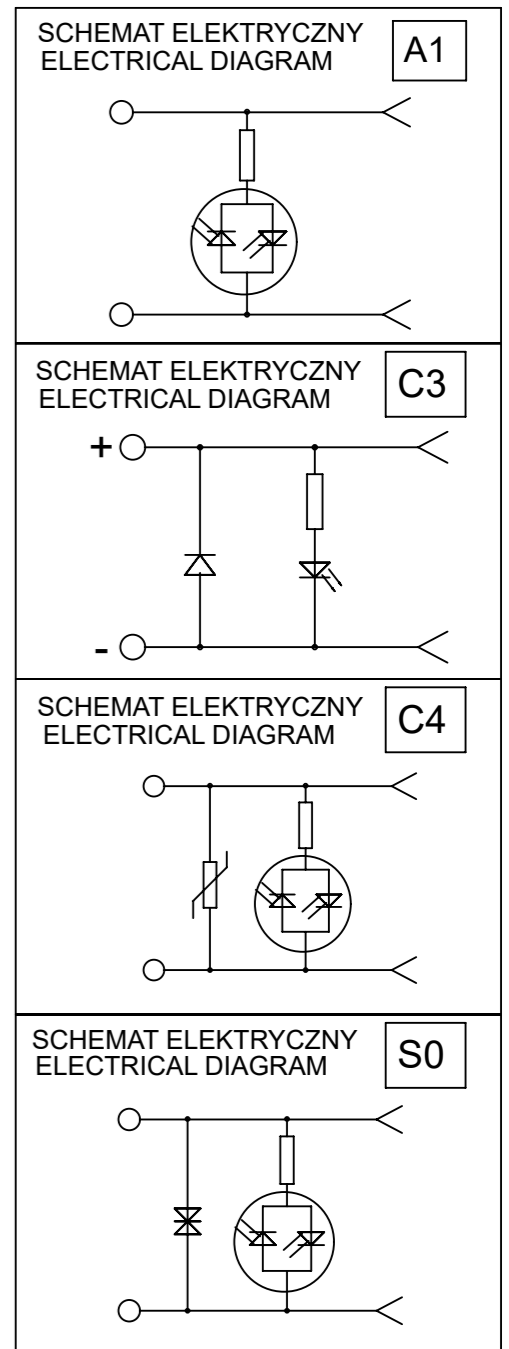
1= 12V	CZERWONA DIODA RED LED	A= 12V	ZIELONA DIODA GREEN LED	G= 12V	ZOLTA DIODA YELLOW LED
2= 24V		B= 24V		H= 24V	
3= 48V		C= 48V		K= 48V	
4= 115V		D= 115V		L= 115V	
5= 230V		E= 230V		M= 230V	



TAMPONADRUK SCHEMATU (BIALY)
CIRCUIT TAMPOPRINT (WHITE)



SCHEMATY POLACZEN
/WIREING CONFIGURATION



MOLEX PN	MPM PN
1210010020	A01C4B
1210010024	A01C4H
1210010025	A01C4L
1210010406	A01C4M

PRE-RELEASE
REFERENCE
USE ONLY

THIS DRAWING CONTAINS INFORMATION THAT IS PROPRIETARY TO MOLEX ELECTRONIC TECHNOLOGIES, LLC AND SHOULD NOT BE USED WITHOUT WRITTEN PERMISSION

DIMENSION UNITS mm	SCALE NTS	CURRENT REV DESC: REMOVED OBSOLETE PART NUMBER AS PER PCN#511691.		molex	
GENERAL TOLERANCES (UNLESS SPECIFIED)		EC NO: 737858			
		DRWN: SANTHN 2023/02/08		PRODUCT CUSTOMER DRAWING	
		CHK'D: GGA 2023/02/24		DOCUMENT NUMBER	
		APPR: GGA 2023/02/24		A01XXX	
		INITIAL REVISION:		DOC TYPE	
		DRWN: MLEVTSKY 2009/05/05		PSD	
		APPR: MWOLSZCZAK 2009/05/05		DOC PART	
		ANGULAR TOL ± °		001	
DRAFT WHERE APPLICABLE MUST REMAIN WITHIN DIMENSIONS		THIRD ANGLE PROJECTION	DRAWING	SERIES	MATERIAL NUMBER
			A3-SIZE	121001	SEE DRAWING
				CUSTOMER	SHEET NUMBER
				GENERAL MARKET	1 OF 1

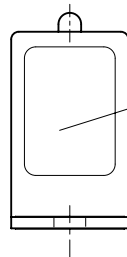
A01 - ADAPTOR FOR DIN MICRO

A 0 1 X X X

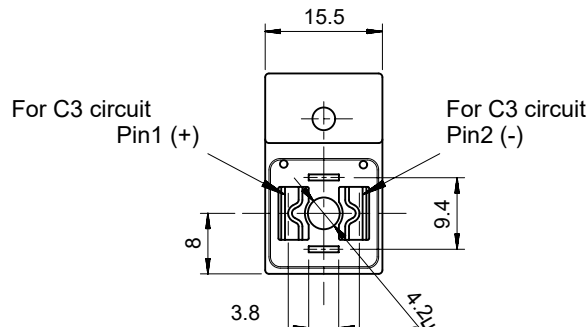
INTERNAL CIRCUIT

VOLTAGE AND LED COLOUR:

- | | | |
|---------|---------|---------|
| 1= 12V | A= 12V | G= 12V |
| 2= 24V | B= 24V | H= 24V |
| 3= 48V | C= 48V | K= 48V |
| 4= 115V | D= 115V | L= 115V |
| 5= 230V | E= 230V | M= 230V |
- RED LED GREEN LED YELLOW LED



CIRCUIT TAMOPRINT (WHITE)

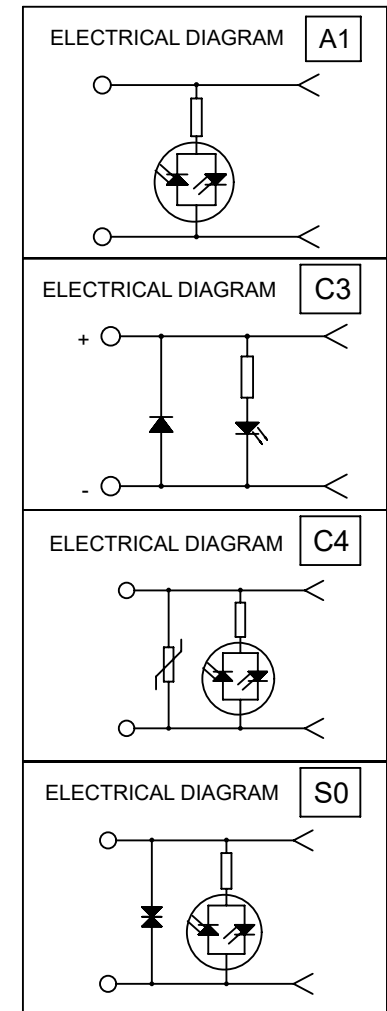


PRE-RELEASE
REFERENCE
USE ONLY

Chart 1

Engineering number	SAP Part Number	Circuit type	LED Color
A01C3H	1210010014	C3 24V	Yellow
A01C3L	1210010431	C3 115V	Yellow
A01C4B	1210010020	C4 24V	Green
A01C4H	1210010024	C4 24V	Yellow
A01C4L	1210010025	C4 115V	Yellow
A01C4M	1210010406	C4 230V	Yellow

Wiring configuration



THIS DRAWING CONTAINS INFORMATION THAT IS PROPRIETARY TO MOLEX ELECTRONIC TECHNOLOGIES, LLC AND SHOULD NOT BE USED WITHOUT WRITTEN PERMISSION

DIMENSION UNITS	SCALE	CURRENT REV DESC: REMOVED OBSOLETE PART NUMBER AS PER PCN#511691.
mm	NTS	
GENERAL TOLERANCES (UNLESS SPECIFIED)		
	MM	INCH
4 PLACES	±	±
3 PLACES	±	±
2 PLACES	±	±
1 PLACE	±	±
0 PLACES	±	±
ANGULAR TOL	±	°
DRAFT WHERE APPLICABLE MUST REMAIN WITHIN DIMENSIONS		THIRD ANGLE PROJECTION
		DRAWING
		SERIES
		MATERIAL NUMBER
		CUSTOMER
		SHEET NUMBER

molex

LIGHT ADAPTORS
SERIES A01XXX

PRODUCT CUSTOMER DRAWING

DOCUMENT NUMBER: SD-121001-001
DOC TYPE: PSD
DOC PART: 001
REVISION: A1

SEE CHART 1 GENERAL MARKET 1 OF 1