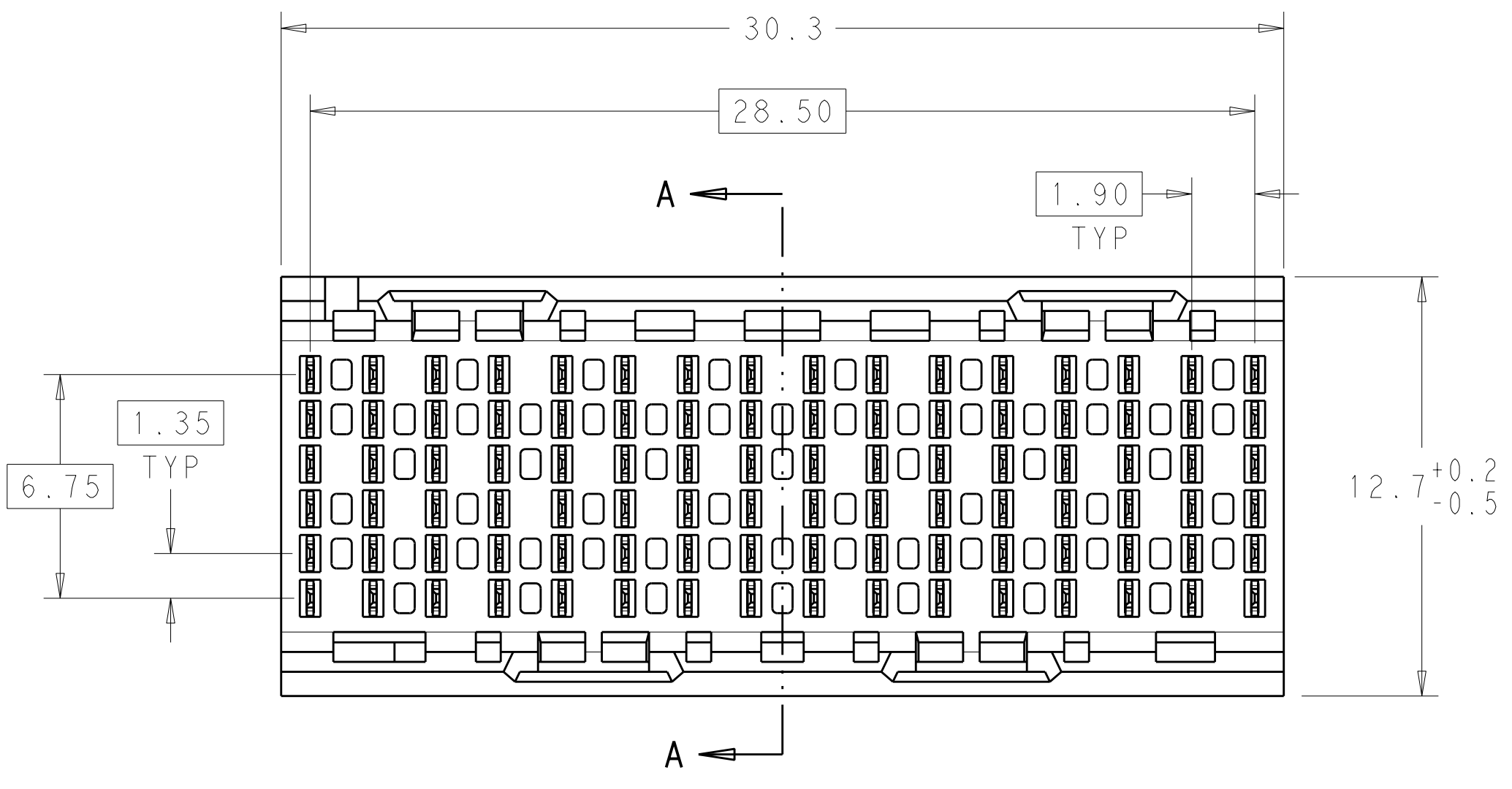
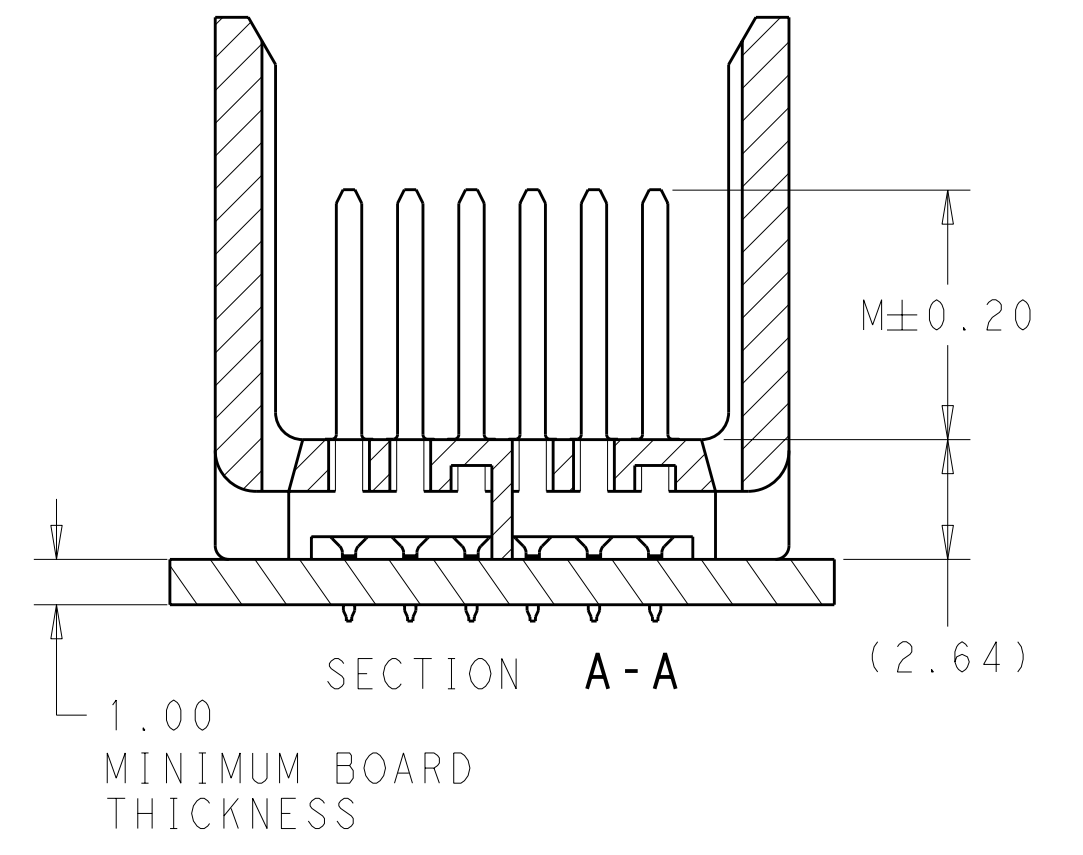
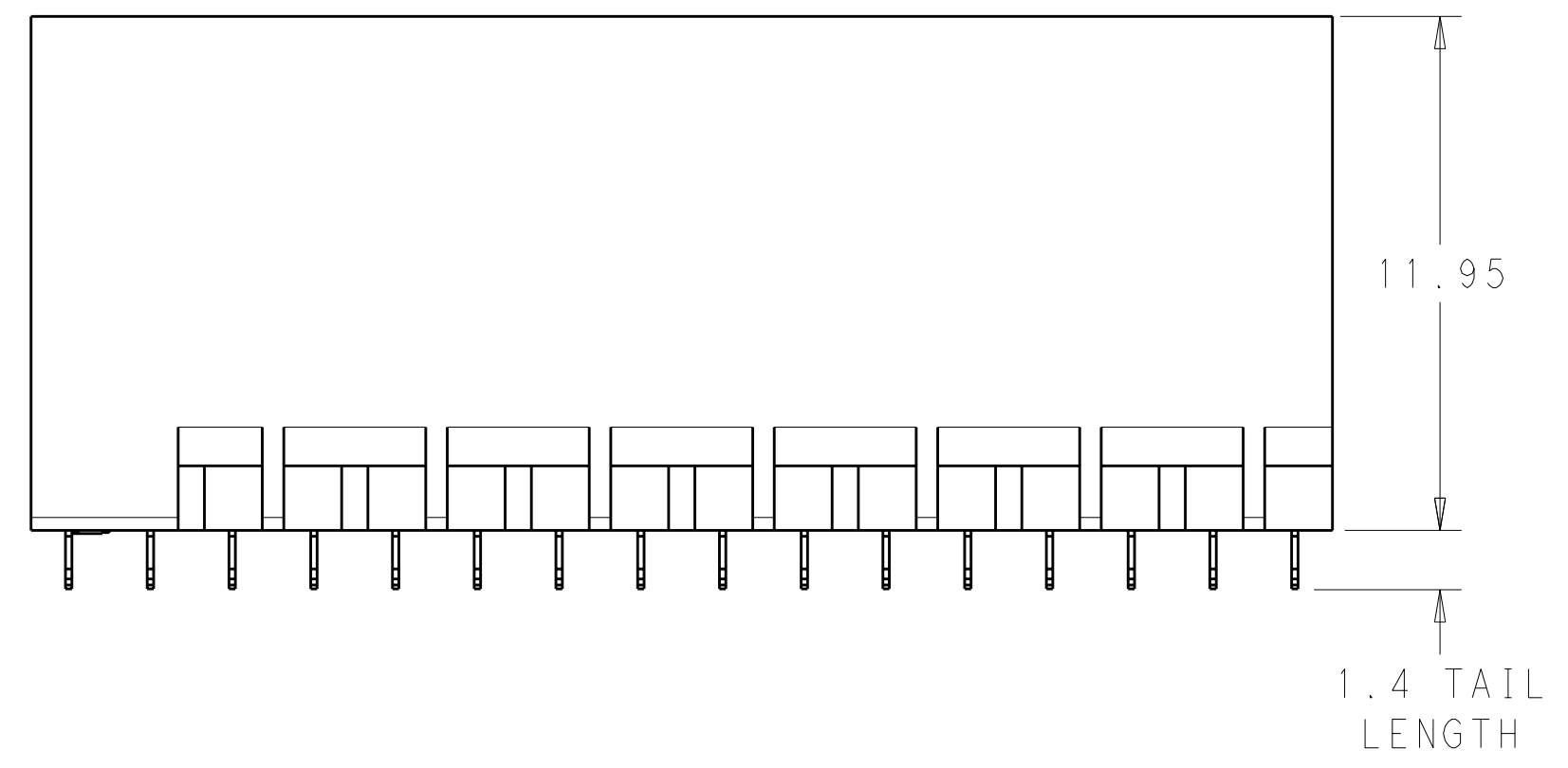
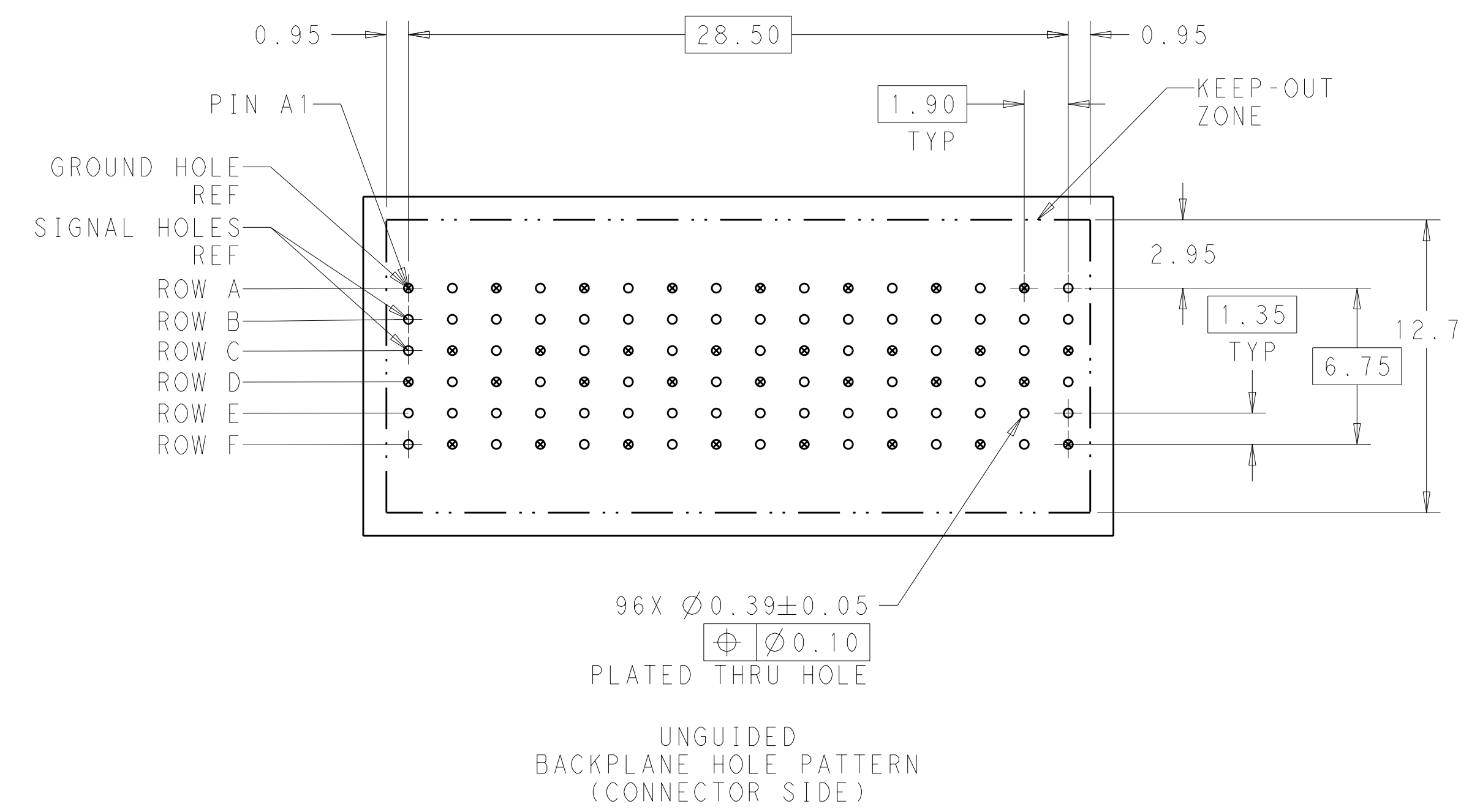
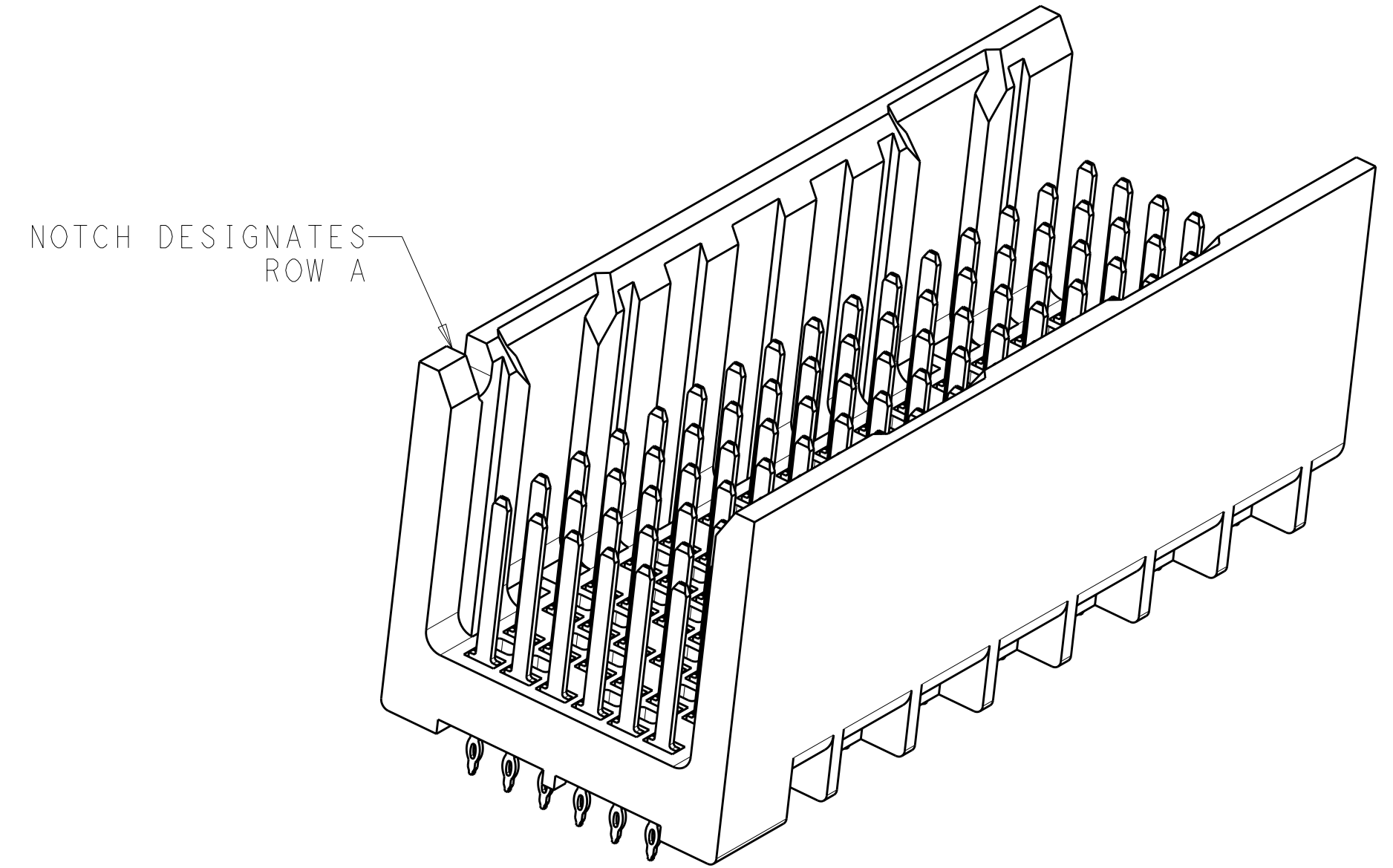


LOC	DIST	REVISIONS			
AD	00	REV	DATE	DWN	APVD
		B	REVISED PER ECO-11-025276	05JAN2012	KH DY



- 1 MATERIAL:
HOUSING: LCP, GLASS FILLED, UL94V-0.
TERMINALS: HIGH PERFORMANCE COPPER ALLOY.
- 2 FINISH:
30μ" MIN GOLD IN CONTACT AREA. SELECTIVE TIN ON PCB TAILS, NICKEL OVERALL.
- 3 FINISH:
30μ" MIN GOLD IN CONTACT AREA. SELECTIVE TIN-LEAD ON PCB TAILS, NICKEL OVERALL.




THIS DRAWING IS A CONTROLLED DOCUMENT.		DWN J. K. SHOBER 31JAN2011	 TE Connectivity	NAME	
DIMENSIONS:		CHK J. EBY 31JAN2011		IMPACT, 2 PAIR, 16 COLUMN, HEADER	
mm		APVD J. EBY 31JAN2011		UNGUIDED, OPEN END WALL	
0 PLC ± 1 PLC ±0.25 2 PLC ±0.13 3 PLC ± 4 PLC ± ANGLES ± FINISH SEE TABLE		PRODUCT SPEC		SIGNAL MODULE, 0.39 PTH	
MATERIAL		APPLICATION SPEC	SIZE	CAGE CODE	DRAWING NO
1.00 MINIMUM BOARD THICKNESS		WEIGHT	A100779	C=2057748	RESTRICTED TO
1.4 TAIL LENGTH		CUSTOMER DRAWING	SCALE	SHEET	REV
SECTION A-A (2.64)		6:1	1	2	B

THIS DRAWING IS UNPUBLISHED. RELEASED FOR PUBLICATION 20
 © COPYRIGHT 20 . . . ALL RIGHTS RESERVED.

LOC	DIST	REVISIONS					
AD	00	P	LTG	DESCRIPTION	DATE	DWN	APVD
		-	-	SEE SHEET 1	-	-	-

FINISH	DIM M	PART NUMBER
\triangle_3	5.5	2057748-6
\triangle_3	4.9	2057748-5
\triangle_3	4.5	2057748-4
\triangle_2	5.5	2057748-3
\triangle_2	4.9	2057748-2
\triangle_2	4.5	2057748-1

REFER TO WWW.TE.COM
FOR PRODUCT AVAILABILITY

THIS DRAWING IS A CONTROLLED DOCUMENT.		DWN J. K. SHOBER 31 JAN 2011	 TE Connectivity
DIMENSIONS: mm		CHK J. EABY 31 JAN 2011	
TOLERANCES UNLESS OTHERWISE SPECIFIED: 9 PLC ± .25 7 PLC ± 0.13 5 PLC ± . 4 PLC ± . ANGLES ± . FINISH SEE TABLE		APVD J. EABY 31 JAN 2011	NAME IMPACT, 2 PAIR, 16 COLUMN, HEADER UNGUIDED, OPEN END WALL SIGNAL MODULE, 0.39 PTH
MATERIAL -	SEE TABLE	PRODUCT SPEC -	APPLICATION SPEC -
CUSTOMER DRAWING		WEIGHT -	RESTRICTED TO -
SCALE 5:1		SHEET 2 OF 2	REV B